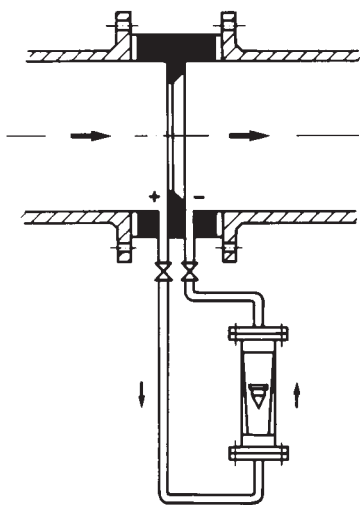


Measurement of Flow from an Orifice Plate

- Measurement of full flow, indirectly with an orifice plate and VA flowmeter.
- Construction in all PVC, AISI-316 or Steel.
- Mounting in horizontal or vertical pipes.
- For Liquids, Gases & Vapours.
- Sizes DN-50 to DN-1000.
- Scales calibrated in flow units of l/h, m³/h, Kg/h. %, etc.
- Straight pipe requirement is 7 to 10 pipe diameters upstream of the orifice and 5 to 7 diameters downstream.
- Adjustable alarms as well as scaled flow tubes.
 - Magnetic or inductive for Series PR-25.
 - Optical for Series PR-61, PR-62 & PR-69.



Measurement Principle

Measurement of the differential pressure, created by an orifice of fixed cross sectional area, which is a function of flow rate.

Operation

An orifice plate in a pipe creates a differential pressure under the flow of a fluid. The differential pressure is a function of the flow rate, with a quadratic relationship. A connection between the high and low pressure sides of the orifice will create a smaller flow which is proportional to the main flow, with a quadratic relationship.

The measurement of the smaller, created flow with a series 6001, 6002, 6009 or SC-250 variable area flow meter provides a measurement of the total flow through the pipe. These VA flow meters are calibrated according to the orifice size to provide a direct reading of the main flow. The flow meters can be fitted with a transmitter to provide a 4-20 mA signal.

Technical Data

- Orifice Plate & Flow meter connections in $\frac{3}{4}$ " BSP thread.
Other connections available on request.
- Accuracy: $\pm 4\%$ of full scale.
- Rangeability: 7:1
- Temperature:
 - PR-61 & PR-62 -20°C to +100°C
 - PR-69 -10°C to +50°C
 - PR-25 -180°C to +400°C
- Pressure:
 - PR-61, PR-62 & PR-69 PN-16
 - PR-25 PN-16,
(Up to PN-200, on special request).
- Orifice Plate Materials:
 - Orifice: AISI-316
 - Body: Polyamide 11 Coated Steel, AISI-316 or PVC.

VA Flow Meter Materials:

- PR-61 & PR-62 Steel, AISI-316, PVC.
- PR-69 PVC, AISI-316.
- PR-25 AISI-316, PVC.

Adjustable Alarms:

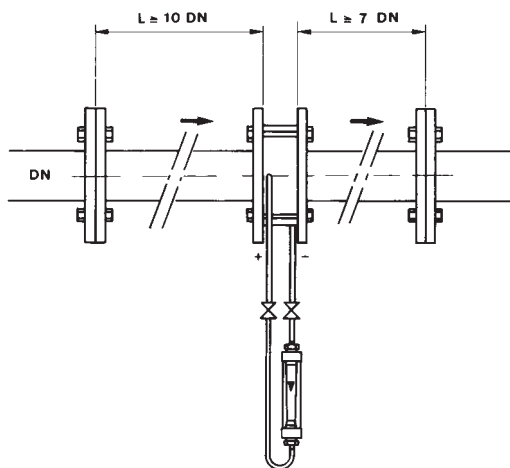
- SC-AMM (microswitch) PR-25.
- SC-AMD (inductive prox.) PR-25.
- 60-AMO (Optical) PR-61, PR-62, PR-69.

Transmitters:

- TEH 0...4-20 mA PR-25.
- TK-EX 0...4-20 mA PR-25,
2, 3 & 4 Wire.
- TP-1200 3-15psi/0.2-1bar PR-25.

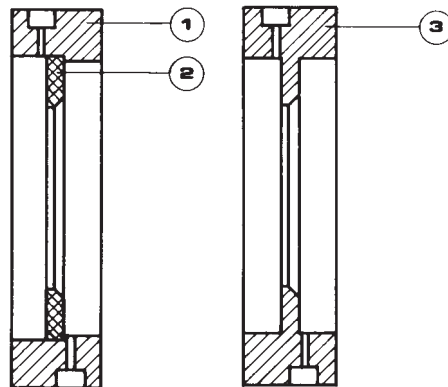
Totaliser: TOTH (8 Digits) PR-25.

- Power Supply: 220 Vac, 50 Hz.
24 Vac, 50 Hz.
24 Vdc.



Materials

- 1 Polyamide 11 coated steel
- 2 AISI-316
- 3 AISI-316/PVC



“Scaled Flow” Meters

PR-61



PR-62



PR-69



PR-25





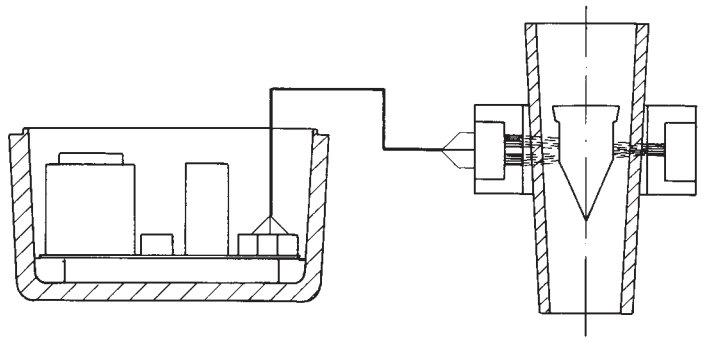
Alarms

Optical Alarm, Series 60-AMO

(For models PR-61, PR-62, PR-69)

Optical contact, in infra-red light, actuated by interruption of the beam with the float. Mounted in a PVC support, with the relay in a separate aluminium enclosure.

- 60-AMO 1...2: 1 or 2 adjustable alarm contacts.
- Power Supply: 220Vac/50Hz or 24Vdc.
- Load: 1 Amp @ 220Vac/50Hz.
- Temperature: -10°C to +50°C.
- Hysteresis: ±5% of full scale.

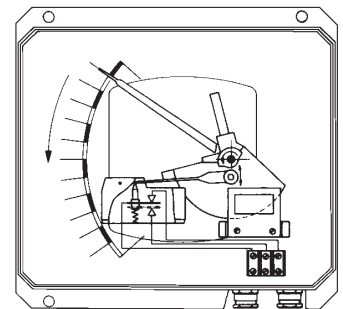


Adjustable Micro Alarm, Series SC-AMM

(For model PR-25)

Micro-switch contact mounted in the indicator enclosure of the flow meter.

- SC-AMM1: 1 adjustable alarm contact.
- SC-AMM2: 2 adjustable alarm contacts.
- Load: 3 Amp @ 220Vac/50Hz.
- Temperature: -25°C to +80°C.
- Hysteresis: ±10% of full scale.
- Mechanical life: 20 x 10⁶ Operations.
- Contact speed: 0.01 to 1 mSec.

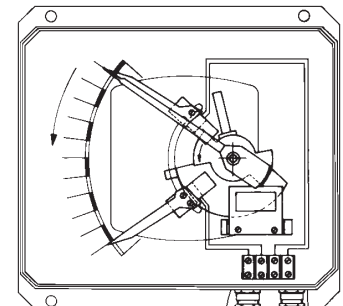


Adjustable Inductive Alarm, Series SC-AMD

(For model PR-25)

Inductive proximity sensor, 3.5 mm, according to standard NAMUR DIN 19234, mounted in the indicator enclosure of the flow meter.

- SC-AMD1...2: 1 ... 2 adjustable alarm contacts.
(+ amplifier WE77/Ex1 or ExEx2).
- Power Supply: 8 Vdc.
- Temperature: -25°C to +70°C.



Transmitter TEH (PR-25), 0...4-20 mA 4 wire.

- Power Supply: 220V, 125V, 24V/50Hz. (24 Vdc, on request).

Transmitter TK-Ex (PR-25), 0...4-20 mA 2 or 4 wire.

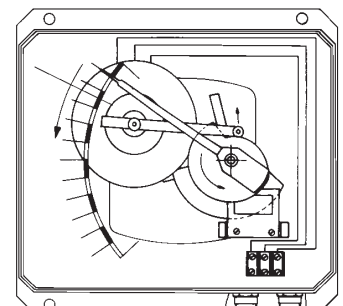
- Power Supply: 24 Vdc.

Transmitter TP-1200 (PR-25), 3-15 psi (0.2-1 Bar).

- Supply: Air at 1.4 Bar.

Totaliser TOTH (PR-25), 8 Digit.

- Power Supply: 220V, 125V, 24V/50Hz. (24 Vdc, on request).



We are at your service, please consult us.
TECFLUID develops and manufactures instruments for gases and liquids, using the most advanced techniques.
Request Information by telephone nº (34 3) 372 45 11

TECFLUID

C/. Narcís Monturiol, 33 - 08960 SANT JUST DESVERN (BARCELONA)
International: Telephone. (34 3) 372 4511 - Fax (34 3) 473 08 54

The technical data in this pamphlet is subject to modification without notification, if the technical innovations in the product or manufacturing processes so require.

Standard Scales, for Water at 20°C

DN	Orifice O.D.		Orifice Width	ΔP mm Water						
	PN-10	PN-16		2,000	2,600*(1)	4,000	5,000*(2)	6,000	8,000	10,000
				Flow in m ³ /h		Min-Max	Min-Max	Min-Max	Min-Max	Min-Max
50	107	50	2-15	3-20	5-30	6-35	7-40	8-45	10-50	
65	127	50	4-25	6-40	8-50	10-60	10-70	12-80	14-90	
80	142	50	5-30	8-50	10-70	12-90	14-100	14-110	16-120	
100	162	50	6-40	10-60	12-80	14-100	14-110	16-120	20-140	
125	192	50	12-80	20-130	25-150	30-200	40-250	50-300	60-400	
150	218	50	18-130	25-200	40-250	50-300	50-350	60-400	80-500	
200	273	50	25-180	50-350	80-460	80-560	80-600	100-700	120-800	
250	329	50	30-250	70-500	90-650	120-800	150-900	160-1,100	180-1,200	
300	378	50	60-400	90-650	150-900	180-1,100	200-1,250	250-1,500	300-1,700	
350	428	50	90-600	150-1,000	180-1,200	200-1,500	250-1,800	300-2,000	400-2,400	
400	489	50	100-700	250-1,500	350-2,000	360-2,200	400-2,400	450-2,600	500-3,000	
450	539	50	200-1,200	300-2,000	400-2,500	500-3,000	550-3,200	600-3,600	650-4,000	
500	594	50	250-1,800	400-2,500	500-3,000	600-3,600	650-4,000	700-4,500	800-5,000	
600	695	50	400-2,600	600-6,300	700-4,200	800-5,000	900-5,400	1,000-6,000	1,100-7,000	
700	810	50	500-3,200	700-4,500	1,000-6,000	1,100-6,600	1,200-7,500	1,400-8,200	1,500-9,000	
800	917	50	750-4,500	1,100-6,500	1,200-7,500	1,400-8,200	1,500-9,000	1,800-10,000	2,000-12,000	
900	1017	50	1,000-6,000	1,200-8,000	1,600-10,000	1,800-11,000	2,000-12,500	2,200-14,000	3,000-16,000	
1000	1125	50	1,400-8,000	1,600-10,000	2,000-12,000	2,200-14,000	2,500-15,000	3,000-18,000	3,500-20,000	
Maximum pipe velocity, m/s			2	3.3	4	5	5.5	6	7	

*Standard flow rates with ΔP in mm Water.

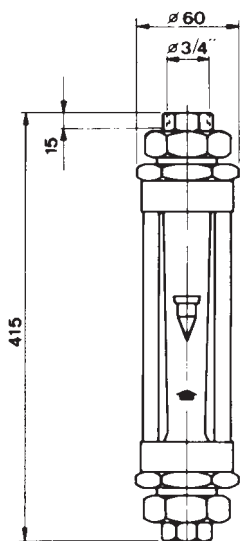
(1) ΔP & Standard flow rates for PR-61, PR-62 & PR-69, with Borosilicate glass tubes.

(2) ΔP & Standard flow rates for PR-25 metal tube flow meter, magnetic coupled indicator.

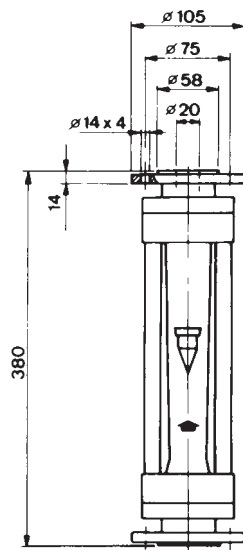
The out side diameter of the orifice is in accordance with the standard DIN 2502-C, for mounting between flanges. (Others on special request).

For an accurate calculation of the orifice diameter, the exact inside diameter of the pipe must be provided.

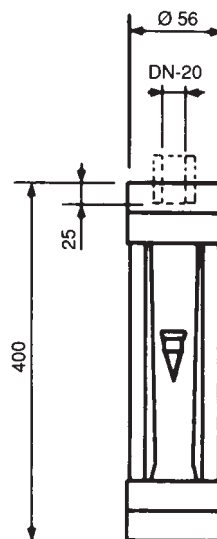
PR-61



PR-62



PR-69



PR-25

