



FORMATURA
INIEZIONE
POLIMERI

Technical data sheet

Nr. **DS1251**

Rubinetto d a pistone di regolazione "RP"

Rev				

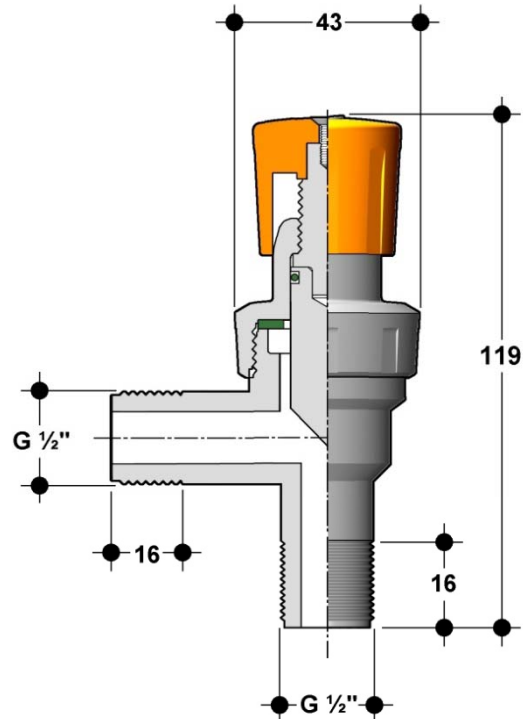
Throttling piston valve "RP" type

date 25/06/2012

Code: DRPDDVFF1NT

Features

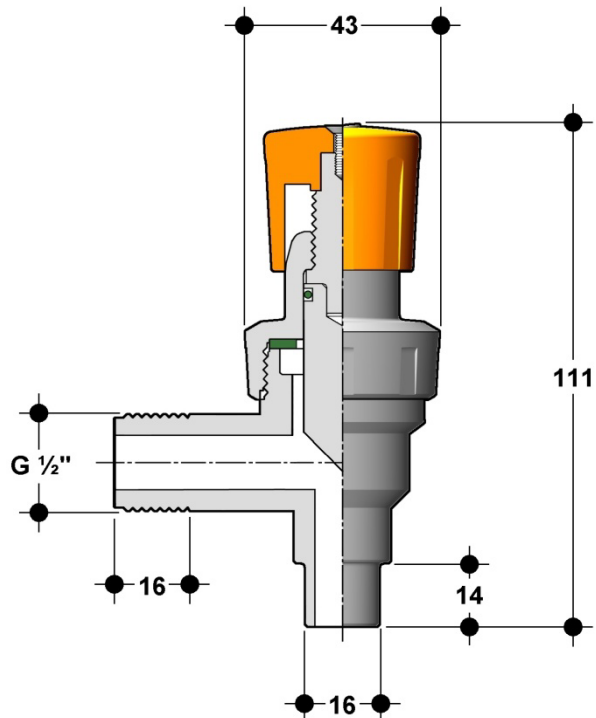
- Bottom end: 1/2" BSP male thread
- Side end: 1/2" BSP male threaded
- Flow rate: Kv100 max 68 l/min
- Pressure rate up to 4 bar at 20°C (68°F)
- Body and KNOB in PVC-U
- Gaskets in FPM



Code: DRPIDVFF1NT

Features

- Bottom end: d16mm ISO spigot
- Side end: 1/2" BSP male threaded
- Flow rate: Kv100 max 68 l/min
- Pressure rate up to 4 bar at 20°C (68°F)
- Body and KNOB in PVC-U
- Gaskets in FPM





FORMATURA
INIEZIONE
POLIMERI

Technical data sheet

Nr.

DS1251

Rubinetto d a pistone di regolazione "RP"

Rev

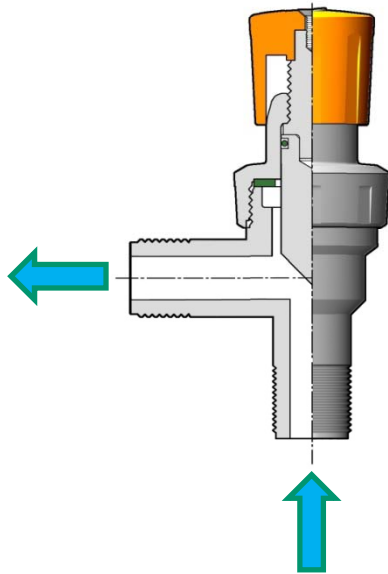
Throttling piston valve "RP" type

date

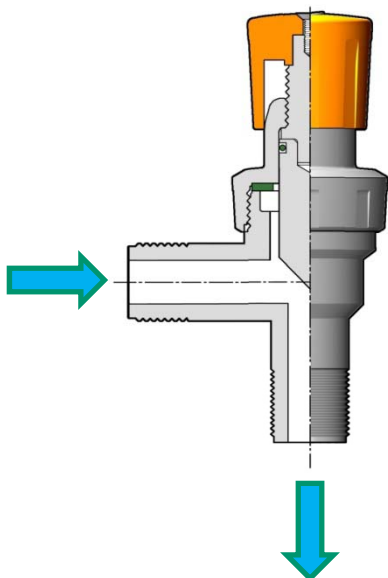
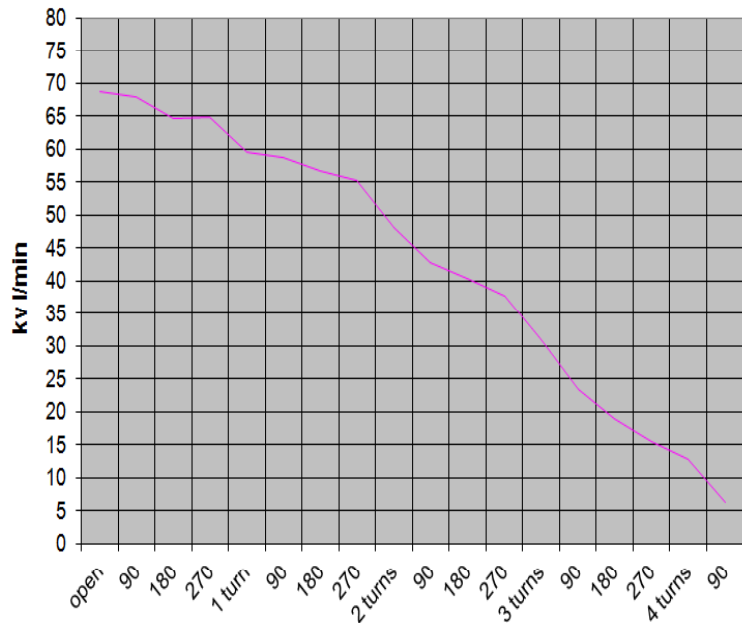
25/06/2012

Flow coefficient kv100

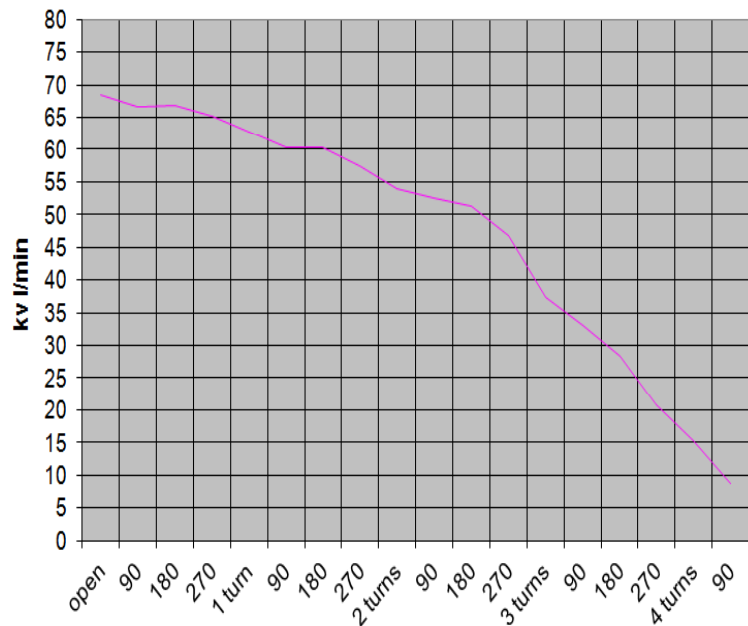
is the number of liters per minute of water at a temperature of 20° C that will flow through a valve with a one-bar pressure differential at a specified rate. The kv100 value shown in the table is calculated with the valve completely open.



Bottom inlet



Side inlet



Knob position