



FEATURES

- Dry top multi-jet design
- Tolerates low quality water
- Simple pulse output
- Cold or hot water models

APPLICATIONS

- Cooling tower chemical control
- Industrial water treatment
- Deduct metering
- Pump Pacing



GENERAL INFORMATION

MJ-Series meters use the multi-jet principle, which has been an internationally-accepted standard for many years. This type of meter is known for its wide range, simplicity, and accuracy in low-quality water. Seametrics offers cold or hot water models. The impeller is centered in a ring of jets, with inlet jets on one level and outlet jets on another. A gear train drives the register totalizer dials. For pulse output, one of the pointers is replaced by a magnet, which is detected by an encapsulated sensor attached to the outside of the lens. Pulse rate is determined by the dial on which the magnet is placed, and by the number of sensors (single or double).

Changing the pulse rate requires no special tools and can be done in the field.

Mechanically, all MJ-Series meters are the same. The difference among *MJE/MJHE, *MJR/MJHR and *MJT/MJHT meters is in the sensor. MJE/MJHE meters use a solid-state, long-lasting Hall-effect sensor, which requires power. It is suited for use with Seametrics controls and metering pumps (LMI for instance) that have sensor power. MJR/MJHR meters use a two-wire reed switch. They provide a dry contact closure and do not require power. MJT/MJHT meters totalize only and do not have a sensor.

***Note on Nomenclature:** Meter names that include "H" are hot water models. Without the "H" = cold water models.

FEATURES

Available in cold or hot water models

Either MJE/MJHE or MJR/MJHR sensor fastens to lens without removing top

Calibration plug seal wire for tamper evidence

Cast bronze body

Union end couplings for easy service

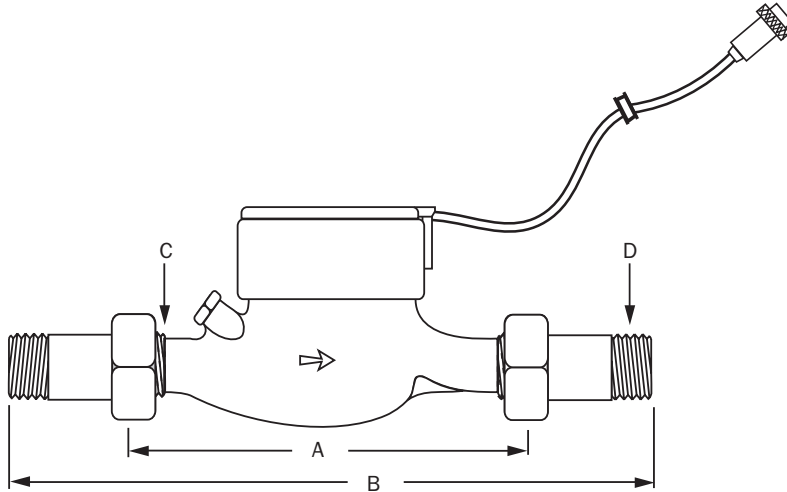


SPECIFICATIONS*

Power		6 mA at 12 Vdc (MJE/MJHE only)			
Temperature	Cold Water Model	105° F (40° C) max			
	Hot Water Model	194° F (90° C) max			
Pressure		150 psi operating			
Materials	Body	Cast bronze, epoxy powder coated inside and out			
	Internals	Engineered thermoplastic			
	Magnet	Alnico			
Accuracy		+/- 1.5% of reading			
Pulse Output		MJE/MJHE	MJR/MJHR	MJT/MJHT	
	Sensor	Hall-effect device	Reed switch	Totalizer only	
	Max Current	20 mA	20mA	n/a	
	Max Voltage	24 Vdc	24 Vdc or Vac	n/a	
Cable Length		12' (4 m) standard (2000' maximum run)			
Flow Rates (GPM)		3/4"	1"	1-1/2"	2"
	Minimum	0.22	0.44	0.88	1.98
	Maximum	22	52	88	132

*Specifications subject to change • Please consult our website for current data (www.seametrics.com).

DIMENSIONS



	3/4"	1"	1-1/2"	2"
A (body)	7-1/2"	10-1/4"	11-3/4"	11-3/4"
B (w/couplings)	12-5/8"	15-5/8"	17-5/8"	17-5/8"
C (IPS thread)	1"	1-1/4"	2"	2-1/2"
D (NPT thread)	3/4"	1"	1-1/2"	2"

PULSE RATES

	3/4"	1"	1-1/2"	2"
Pulses per Gallon	20*			
	10			
	4†	4†	4†	4†
	2*	2*	2*	2*
	1	1	1	1
Gallons per Pulse	1	1	1	1
	5*	5*	5*	5*
	10	10	10	10
	50*	50*	50*	50*
	100	100	100	100
Cubic Feet per Pulse	1	1	1	1
	5*	5*	5*	5*
	10	10	10	10
Cubic Meter per Pulse	1	1	1	1
	10	10	10	10
	100	100	100	100
	100	100	100	100

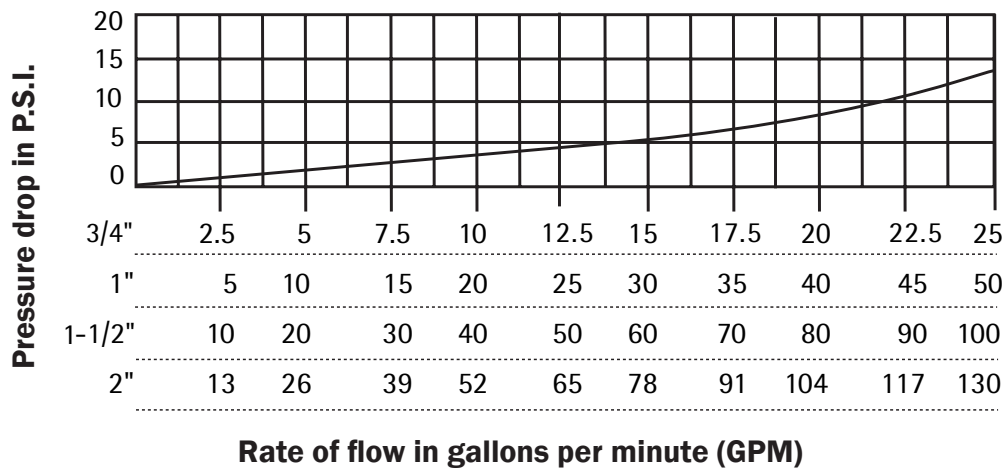
*These pulse rates available in MJR and MJHR dual reed switch meters only.

†This pulse rate available in MJR and MJHR single reed switch meters only.

FLOW RATES (GPM)

	3/4"	1"	1-1/2"	2"
Minimum	0.22	0.44	0.88	1.98
Maximum	22	52	88	132

PRESSURE DROP CURVE



HOW TO ORDER

MODEL	SIZE	PULSE RATE	OPTIONS
Cold water, Reed switch = MJR Cold water, Hall-effect sensor = MJE Cold water, Totalizer only = MJT Hot water, Reed switch = MJHR Hot water, Hall-effect sensor = MJHE Hot water, Totalizer only = MJHT	3/4" = -075 1" = -100 1-1/2" = -150 2" = -200	†*20 Pulse/Gal = 20P †10 Pulse/Gal = 10P *4 Pulse/Gal = 4P *2 Pulse/Gal = 2P 1 Gal/Pulse = 1G *5 Gal/Pulse = 5G 10 Gal/Pulse = 10G *50 Gal/Pulse = 50G 100 Gal/Pulse = 100G 1 CF/Pulse = 1CF *5 CF/P = 5CF 10 CF/P = 10CF 1 CM/P = 1CM 10 CM/P = 10CM 100 CM/P = 100CM	LMI pump connector = -06 Seametrics control connector = -07
		†3/4" Only *MJNR Meters Only	

ACCESSORIES

Pulse divider = **PD10**
 Pulse splitter = **PS40**
 Pulse timer = **PT35**

CONTACT YOUR SUPPLIER