

ISO 9001:2008
CERTIFIED COMPANY



SPX



SPT

FEATURES

- Accurate at low flows
- Simple and durable
- Compatible with a variety of chemicals
- Visual flow monitoring (SPX Only)

APPLICATIONS

- Low flow monitoring
- Chemical batching
- Proportional chemical injection
- Fertilizer injection

GENERAL INFORMATION

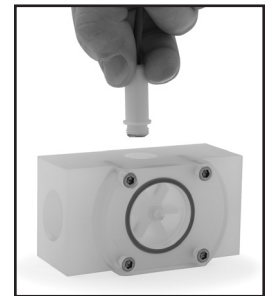
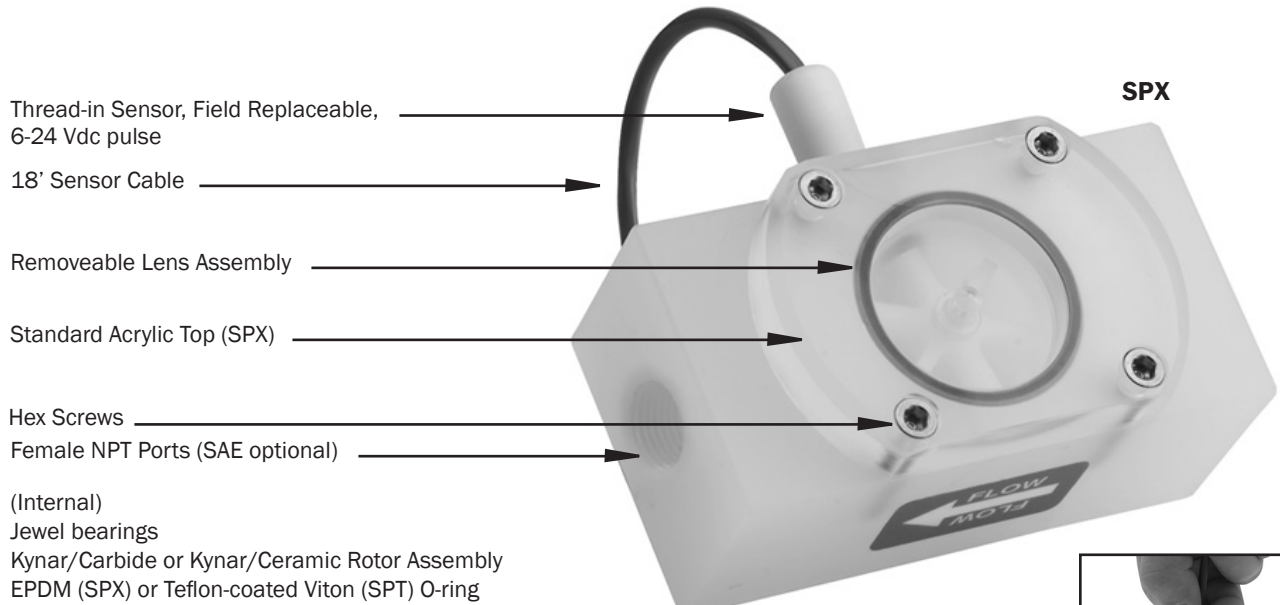
These versatile impeller flowmeters are available in 3/8", 1/2", 3/4", and 1" nominal pipe sizes with female NPT threads (SAE optional). They employ jewel bearings to allow for very low minimum flow rates and superior life.

With a body material of polypropylene, the **SPX** is an economical choice for metering water or low corrosion fluids. The lens cover is available in a choice of materials: acrylic for visual flow indication of low-corrosion fluids; polypropylene when more corrosion resistance is needed. The standard rotor assembly is Kynar with tungsten carbide shaft (ceramic shaft optional). The O-ring is EPDM.

The **SPT** offers greater chemical resistance with a Teflon body and cover, Teflon-coated Viton O-ring, and standard Kynar/ceramic rotor assembly (silicon carbide shaft optional).

The pulse output of these meters is compatible with many different types of controls, including a full range of Seametrics rate displays and controls. The Seametrics FT420 provides flow rate and total flow indication, with 4-20 mA output capability. The FT415 is a battery-operated rate & total display. For metering pump pacing or interfacing with lowspeed counters, the PD10 pulse divider is recommended. The AO55 may be used for blind 4-20mA transmission.

FEATURES



FIELD REPLACEMENT
OF SENSOR

SPECIFICATIONS*

| | SPX | SPT |
|----------------------------|--|--|
| Connection Ports | 3/8", 1/2", 3/4", 1", Female NPT thread (SAE optional) | 3/8", 1/2", 3/4", 1", Female NPT thread (SAE optional) |
| Sensor Cable | 18 feet standard (Maximum cable run 2000 ft.) | 18 feet standard (Maximum cable run 2000 ft.) |
| Materials | | |
| Body | Polypropylene | TFE Teflon |
| Rotor | PVDF (Kynar) | PVDF (Kynar) |
| Shaft | Nickel tungsten carbide (zirconia ceramic optional) | Zirconia ceramic (silicon carbide optional) |
| O-Ring | EPDM (Viton or Teflon-coated Viton optional) | Teflon-coated Viton (Viton or EPDM optional) |
| Bearings | Ruby ring and ball | Ruby ring and ball |
| Cover | Acrylic (Polypro optional) | TFE Teflon |
| Maximum Temperature | 160° F (70° C) | 180° F (82° C) |
| Maximum Pressure | 150 PSI (10 bar) | 150 PSI (10 bar) |
| Accuracy | ±1% of full scale | ±1% of full scale |
| Power | 5-24 Vdc, 2 mA min | 5-24 Vdc, 2 mA min |
| Outputs | Current sinking pulse, 6-24 Vdc | Current sinking pulse, 6-24 Vdc |

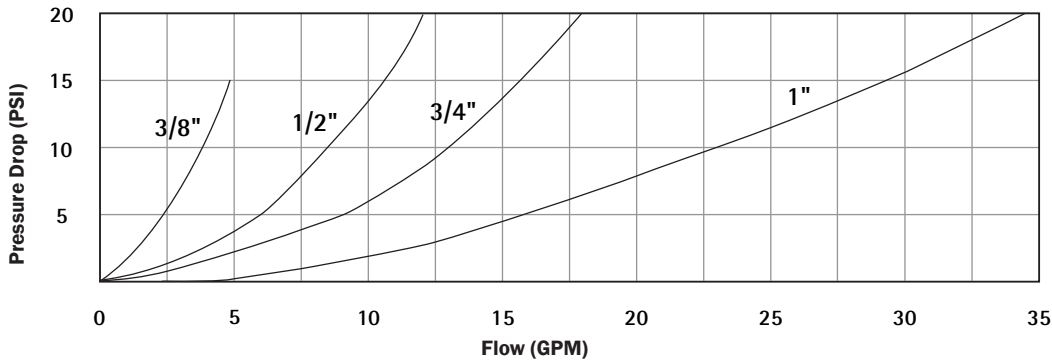
*Specifications subject to change • Please consult our website for current data (www.seametrics.com).

FLOW RANGE

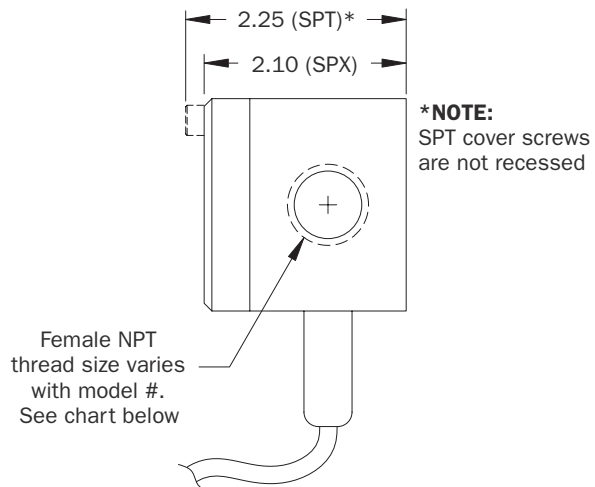
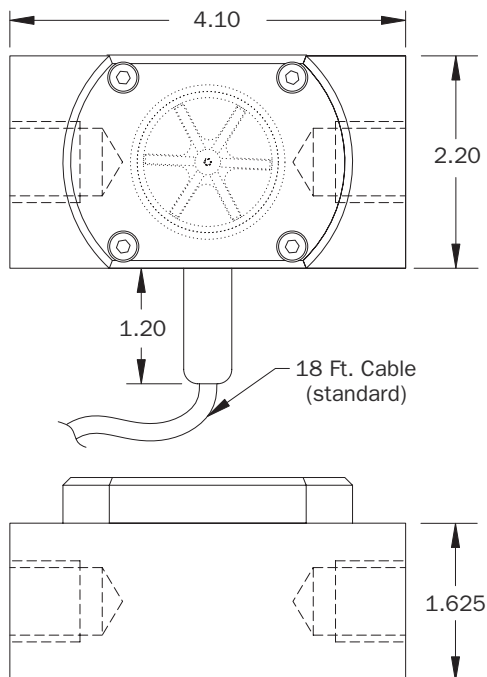
| Model # | *K-Factor (pulses/Gal) | | Gal/Min | Liter/Min |
|---------|---------------------------|------|---------|-----------|
| | SPT | SPX | | |
| -038 | 1394 | 1417 | 0.07-5 | 0.27-18.9 |
| -050 | 634 | 658 | 0.1-10 | 0.38-37.9 |
| -075 | 476 | 468 | 0.2-20 | 0.75-75 |
| -100 | 250 | 254 | 0.5-40 | 1.9-150 |

*Nominal K-factors (based on averages) for standard 2-magnet SPT and SPX.
High resolution (6-magnet) K-factors are approximately tripled.

PRESSURE DROP CURVES



DIMENSIONS



| Model # | NPT Thread Size |
|---------|-----------------|
| -038 | 3/8" |
| -050 | 1/2" |
| -075 | 3/4" |
| -100 | 1" |

HOW TO ORDER

MODEL

Polypro/Acrylic = **SPX**

TFE Teflon = **SPT**

SIZE

3/8" (0.07-5 GPM) = **-038**

1/2" (0.1-10 GPM) = **-050**

3/4" (0.2-20 GPM) = **-075**

1" (0.5-40 GPM) = **-100**

OPTIONS

Ceramic shaft (SPX) = **-01**

Micropower pickup (use with FT415 or DL76 only) = **-04**

Polypro cover (SPX) = **-12**

High resolution rotor = **-13**

Teflon-coated Viton O-ring (SPX) = **-25**

Viton O-ring (SPX, SPT) = **-60**

Silicon carbide shaft = **-68**

EPDM O-ring (SPT) = **-69**

ACCESSORIES

Rate and Total Indicator, DC powered = **FT420**

Rate and Total Indicator, Battery powered = **FT415**

Blind Analog Transmitter (4 to 20 mA) = **AO55**

Batch Flow Processor = **FT520**

Data Logger = **DL76**

Plug-in Power Converter, 100-115 Vac, 24 Vdc = **PC3**

DIN or Wall Mount Power Converter, 100-115 Vac, 24 Vdc = **PC12**

SUPPLIER CONTACT INFORMATION