

LE-70 series Electronic Resistance to Analog Converters

The LE-70 series are rail mounting analog control instruments for resistance to mA (or Voltage) conversion. This instrument is used together with the LE-70 and LTE-10 level probes for level transmission, and with the PT-TR420 probes for flow rate transmission.

Applications

- Automated process control in any industry with liquid level control for interfacing with PLC.
- Interface with analog indicators or alarms.

Benefits

- Very simple to use.
- Direct interface to any resistance output transducer.
- Front panel test switches give 0%, 25%, 50%, 75% and 100% outputs.
- Standard DIN rail mounting.
- Connections with screw terminals for easy installation and maintenance.
- 0-20 mA, 4-20 mA, 0-10 V, 0-5 V, 2-10 V or 1-5 V output options.
- Front panel adjustment for zero and span.
- Two or three wire connection to resistance probe.

Technical Data

- Power supply 110, 220, 240, 24 V ac 50-60 Hz
24 V dc
- Power consumption < 1 VA
- Input resistance 0..... 500 minimum
0.....50K maximum
- Precision 0.1%
- Temperature range -10°C..... 60°C
- Electrical connection 4 wire (power supply and output)
2 or 3 wire to resistance probe
- Installation: Vertical
- Connections: Flange DN-40, PN-16, DIN 2502
On request ASA
Thread 1 1/2" BSP-M
On request, NPT, sanitary.
- Maximum Range: AISI-316 6000 mm
PVC,PTFE 2500 mm
PVC,PTFE 6000 mm (interior SS)
- Liquid density: From 0.45 to 3kg/l.
- Liquid viscosity: Up to 1500 cSt (1.8 x 10⁻⁴ m²s)
- Accuracy: 10 mm (step 1)
- Hysteresis: 10 mm (step 1)



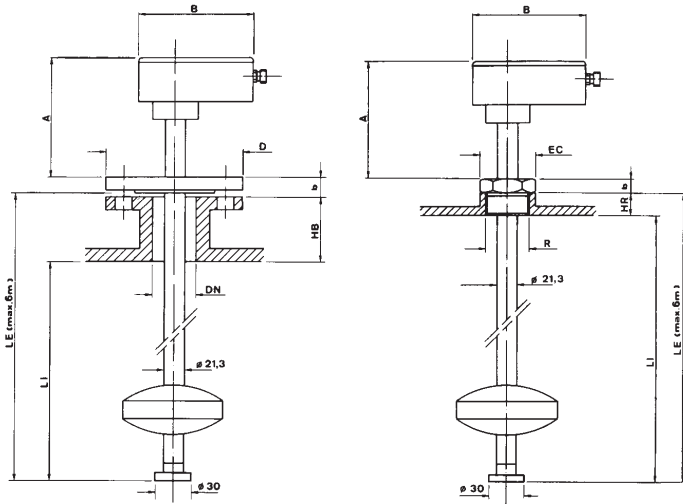
- Materials: AISI-316 (on request PTFE, PVC and others)
- Pressure: PN-16, (on request up to PN-100)
- Liquid Temp: -20°C + 150°C in AISI-316 and PTFE
0°C + 50°C in PVC



Thread LE-71

R	EC	b	A	B	HR	LE	LI
1 1/2	60	22	160	125	30	to indicate	

On request other diameters and norms.



Flanged

DN	PN	D	g	k	1xNo	b	A	B	HB	LE	LI
25*	40	115	68	85	14x4	18	160	125			
40	40	150	88	110	18x4	18	160	125			
100*	16	220	158	180	18x8	20	160	125			
150*	16	285	212	240	23x8	22	160	125			

To define with the order depending on tank and level to measure.

Standard DN-40 (* Others on request)

Ordering Information

LE-70 / a / vvv

a = **Output signal**

= **A** 0 - 20 mA

= **B** 4 - 20 mA

= **D** 0 - 5 V dc

= **E** 0 - 10 V dc

= **F** 1 - 5 V dc

= **G** 2 - 10 V dc

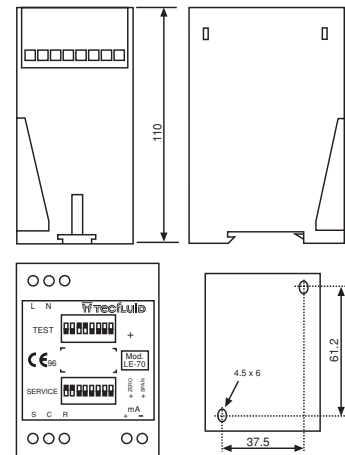
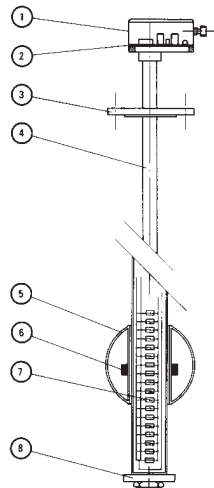
vvv = **Power supply voltage**

= **110** 110 V ac 50-60 Hz

= **220** 220-240 V ac 50-60 Hz

= **024** 24 V ac 50-60 Hz

= **24d** 24 V dc



Construction

Nº.	Piece	Materials		
		LE-../SS	LE-../PVC	LE-../PTFE
1	Connection Box	Aluminium	Aluminium	Aluminium
2	Electronics Board	-	-	-
3	Connection	AISI-316	PVC	PTFE
4	Guide Tube	AISI-316	PVC	PTFE
5	Float	AISI-316	PVC	PTFE
6	Magnet	Supernialco	Supernialco	Supernialco
7	Reed	-	-	-
8	Ends	AISI-316	PVC	PTFE

* Normally connector DIN 43650 A

We are at your service, please consult us.

TECFLUID develops and manufactures instruments for gases and liquids, using the most advanced techniques.

Request Information by telephone nº (34 3) 372 45 11



C/. Narcis Monturiol, 33 - 08960 SANT JUST DESVERN (BARCELONA)
 International: Telephone. (34 3) 372 4511 - Fax (34 3) 473 08 54
 www.tecfluid.com - e-mail: tecfluid@tecfluid

The technical data in this pamphlet is subject to modification without notification, if the technical innovations in the product or manufacturing processes so require.