

DESCRIPTION

The Float Level Switch is made of chemical resistant polypropylene. It is durable, low-cost, and specially designed to solve the long range, multi-points level detection in liquid and liquid with pump or granule instances.

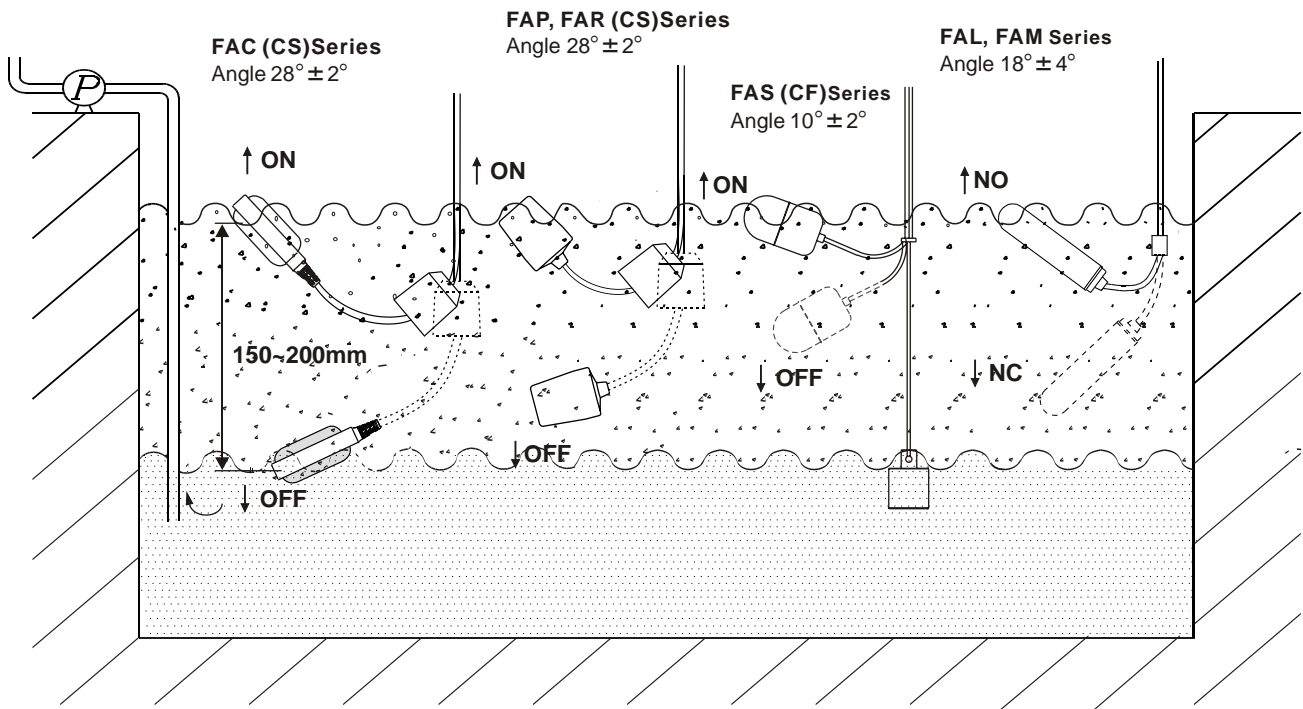
PRINCIPLE

The Cable Float Level Switch is with simple structure of using micro switch or proximity switch or reed switch to control the contact and it is user friendly design for level measurement.

The switches will send out ON or OFF contact signal output when the floating angle is larger than a certain degree where the state of the iron ball and reed switch will be changed for actuation.

For different temperature of waste water & application, the materials of the float can be chosen from plastic to stainless steel. The cable float level switch not only can be used in clear liquid but also can be used in granular liquid to control the detection of long distance and multi-point contacts. Mostly the cable float level switch is applied in petrochemical industry, chemical industry and other related industry.

APPLICATION

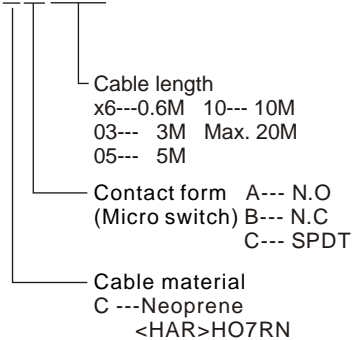


SPECIFICATION

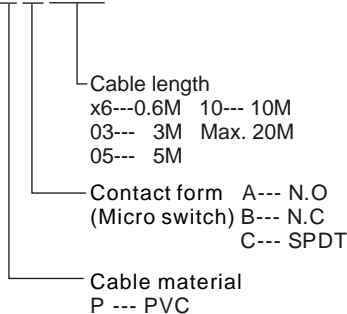
| | | | |
|-----------------------------|--|--|--|
| Dimensions (Unit:mm) | | | |
| | Model | FAC A/B/C | FAP A/B/C |
| Switch | Micro switch | Micro switch | Micro switch |
| Float Material | P.P. | | |
| Cable Spec | Neoprene Cable 1mm ² x3C or 2C | PVC Cable 1.25mm ² x3C or 2C | Neoprene Cable 1mm ² x3C or 2C |
| Contact Rating | 10A/ 250Vac (std.) or 15A/ 250Vac | | |
| Contact Form | N.O or N.C or SPDT | | |
| Operating Temp. | -10°C~80°C | 0°C~60°C | -10°C~80°C |
| Specific Gravity | 0.6 | 0.6 | 0.6 |
| Weight Approx. | 770g/5M | 290g/1M | 290g/1M |
| Pressure | 2 kg/cm ² | 2 kg/cm ² | 2 kg/cm ² |
| Switch Voltage | 600 Vac | 600 Vac | 600 Vac |
| Isolation Resistance | Min 100 MW | Min 100 MW | Min 100 MW |
| Contact Resistance | Max. 100mW | Max. 100mW | Max. 100mW |
| Actuation Angle | 28° ± 2° | 28° ± 2° | 28° ± 2° |
| Protection | IP68 | IP68 | IP68 |

Float Type Code

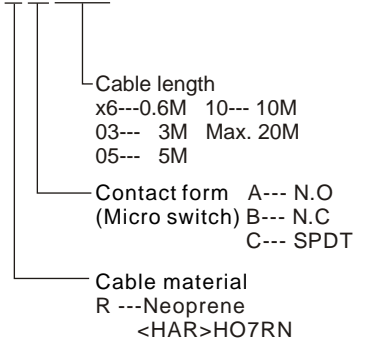
FACA□□...PP Float



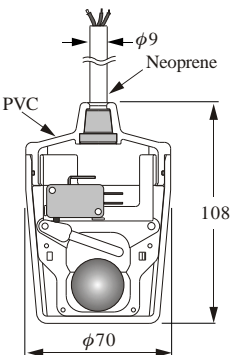
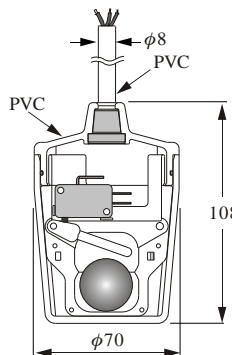
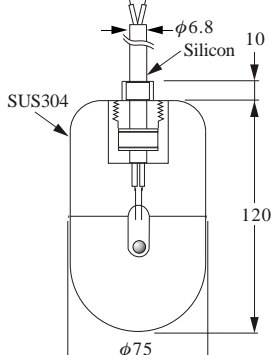
FAPA□□...PP Float



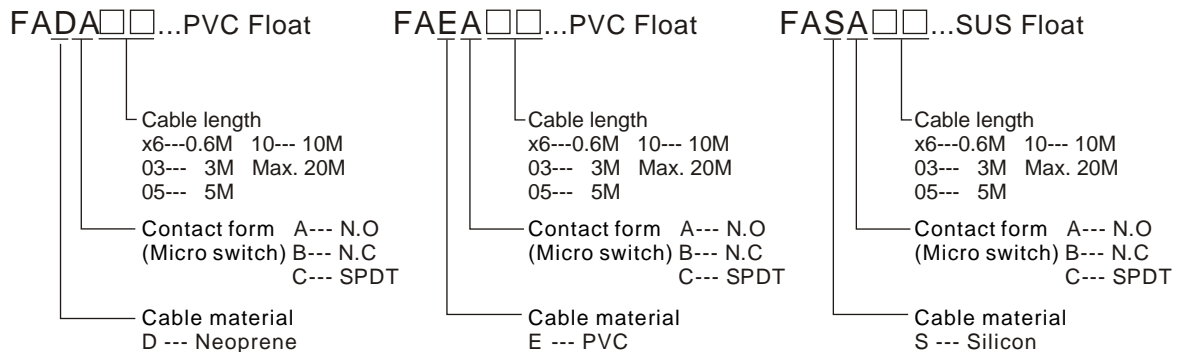
FARA□□...PP Float



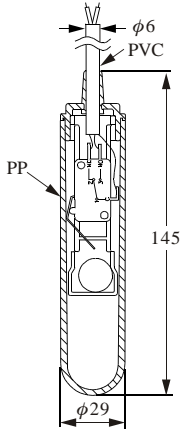
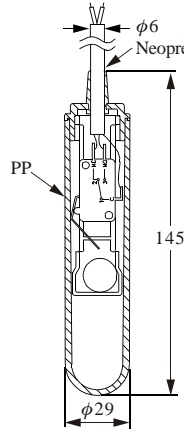
SPECIFICATION

| | | | |
|---------------------------------|---|--|---|
| Dimensions (Unit:mm) |  |  |  |
| | Model | FAD A/B/C | FAE A/B/C |
| Switch | Micro switch | Micro switch | Mercury switch |
| Float Material | PVC | | SUS304 |
| Cable Spec | Neoprene Cable 1mm ² x3C or 2C | PVC Cable 1.25mm ² x3C or 2C | Silicon Cable 0.75mm ² x3C or 2C |
| Contact Rating | 10A/ 250Vac (std.) or 15A/ 250Vac | | 2A/ 250Vac |
| Contact Form | N.O or N.C or SPDT | | N.O or N.C or SPDT |
| Operating Temp. | -10°C~80°C | 0°C~60°C | 0°C~170°C |
| Specific Gravity | 0.6 | 0.6 | 0.5 |
| Weight Approx. | 290g/1M | 290g/1M | 480g/5M |
| Pressure | 2 kg/cm ² | 2 kg/cm ² | 2 kg/cm ² |
| Switch Voltage | 600 Vac | 600 Vac | 600 Vac |
| Isolation Resistance | Min 100 MW | Min 100 MW | ————— |
| Contact Resistance | Max. 100mW | Max. 100mW | Max. 1W |
| Actuation Angle | 28° ± 2° | 28° ± 2° | 10° ± 2° |
| Protection | IP68 | IP68 | IP68 |

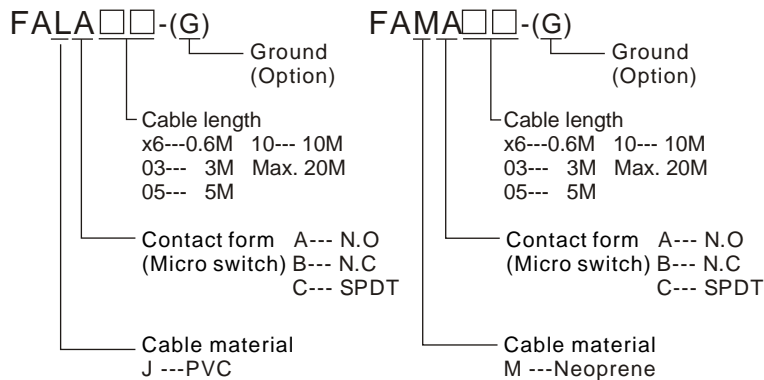
Float Type Code



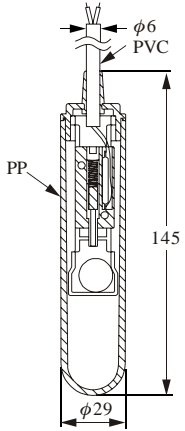
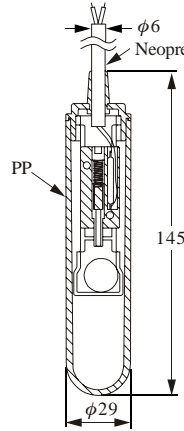
SPECIFICATION

| | | |
|---------------------------------|---|--|
| Dimensions (Unit:mm) |  |  |
| | Model | FAL A/B/C |
| Switch | Micro switch | |
| Float Material | P.P. | |
| Cable Spec | PVC Cable 0.75mm ² x3C | Neoprene Cable 0.75mm ² x3C |
| Contact Rating | 3A/ 125Vac | |
| Contact Form | N.O or N.C or SPDT | |
| Operating Temp. | -0°C~60°C | -10°C~80°C |
| Specific Gravity | 0.8 | |
| Weight Approx. | 113 ± 2g/1M Cable | |
| Pressure | 4.5 kg/cm ² | |
| Switch Voltage | 600 Vac | |
| Isolation Resistance | Min 100 MW | |
| Contact Resistance | Max. 100mW | |
| Actuation Angle | Up 18° ± 4°/ Down 3° ± 3° | |
| Protection | IP68 | |

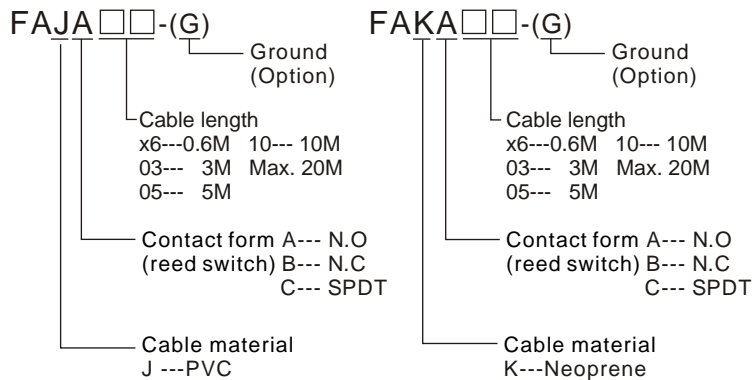
Float Type Code



SPECIFICATION

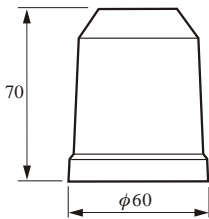
| | | |
|---------------------------------|---|--|
| Dimensions (Unit:mm) |  |  |
| | Model | FAJ A/B/C |
| Switch | Reed Switch | |
| Float Material | P.P. | |
| Cable Spec | PVC Cable 0.75mm ² x3C | Neoprene Cable 0.75mm ² x3C |
| Contact Rating | AC70 VA / DC50 W(N.O), 20W(N.C, SPDT) | |
| Contact Form | N.O | |
| Operating Temp. | -0°C~60°C | -10°C~80°C |
| Specific Gravity | 0.8 | |
| Weight Approx. | 115 ± 2g/1M Cable | |
| Pressure | 4.5 kg/cm ² | |
| Switch Voltage | 300 Vac/ 350Vdc(N.O), 150 Vac/ 200Vdc(N.C, SPDT) | |
| Isolation Resistance | Min 100 MW | |
| Contact Resistance | Max. 100mW(N.O), Max. 150mW(N.C, SPDT) | |
| Actuation Angle | Up 18° ± 4° / Down 3° ± 3° | |
| Protection | IP68 | |

Float Type Code

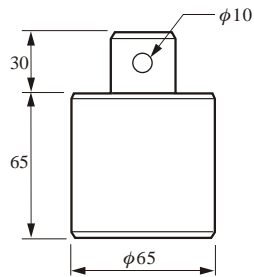


DIMENSION OF WEIGHT

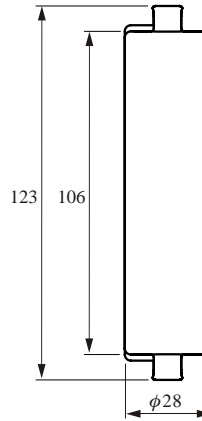
FAPW-03
FAPW-05



FASW



FAB-0010

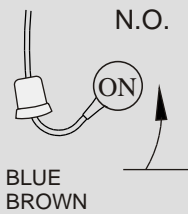


| Type | Material | Weight |
|--------------------|----------|----------------|
| FAPW-03 FAPW-05 | PP | 0.3kg 0.5kg |
| FASW | SUS304 | 0.5kg |
| FAB-0010 | PP | 0.15kg |

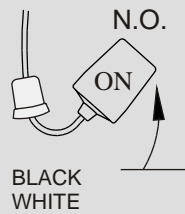
CONTACT FORM

1. SPDT (N.O)

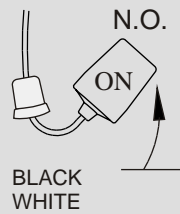
FACA



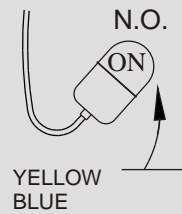
FAPA/FAEA



FARA/FADA

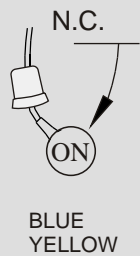


FASA

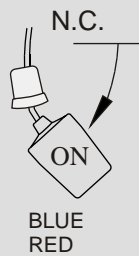


2. SPDT (N.C)

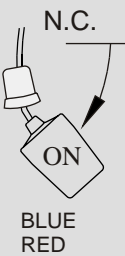
FACB



FAPB/FAEB



FARB/FADB

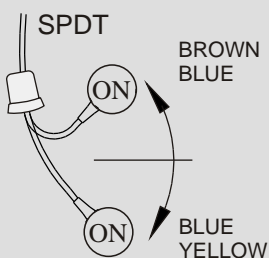


FASB

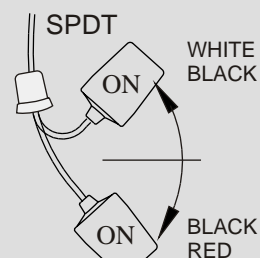


3. SPDT (1C)

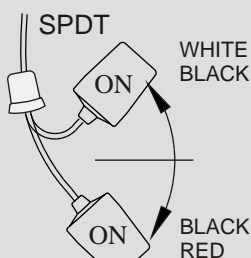
FACC



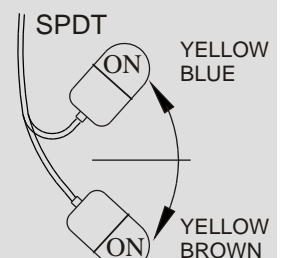
FAPC/FAEC



FARC/FADC



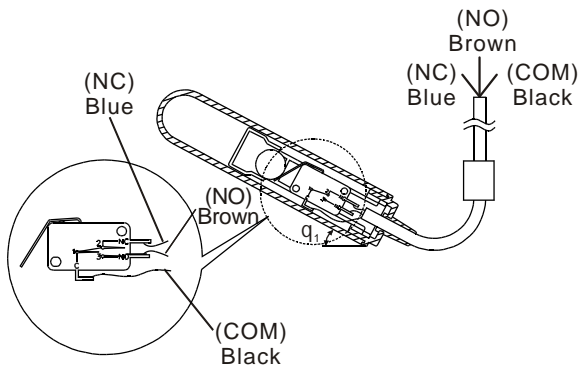
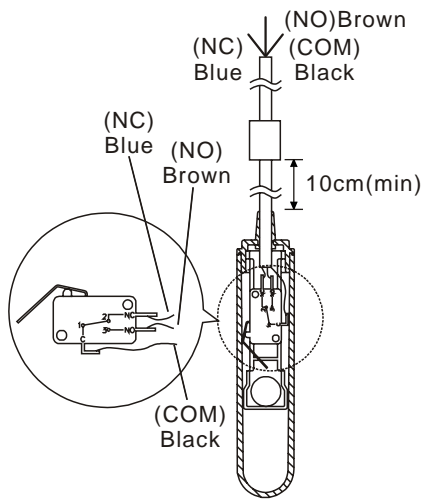
FASC



WIRING

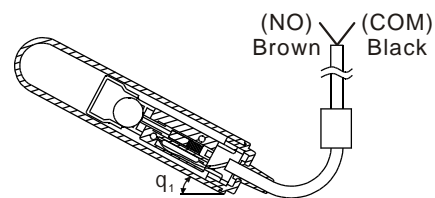
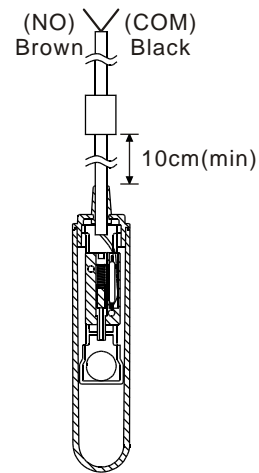
Micro Switch

When float is not in contact with liquid, the blue and black wires are in open state. Contact form is in NC mode. When liquid rises and lifts the float up until it reaches the actuation angle, the brown and black wires will be in open state. Contact form is in NO mode.



Reed Switch

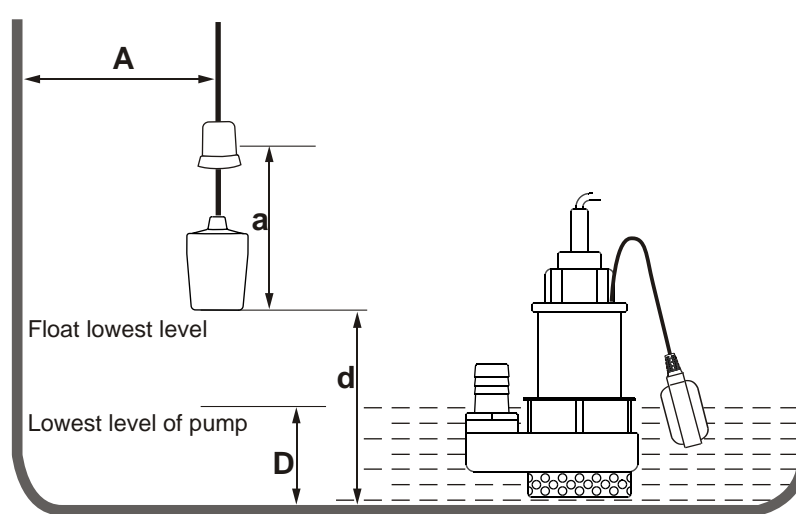
When liquid is in low level, metal ball stays away from sensing range. Brown and black wires are in open state, which is NC mode. When liquid rises and lifts the float up until it reaches the actuation angle, reed switch will be actuated. Brown and black wires will be in open state, which is NO mode.



DIMENSION FOR INSTALLATION

The float action length (a) must be shorter than the distance between wall and cable (A) ; if not, it will cause wrong action.

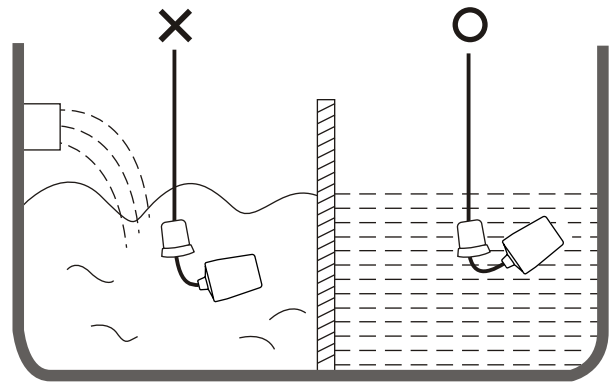
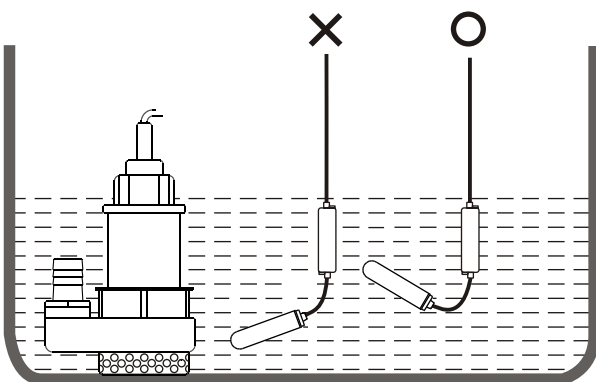
The lowest float level (d) must be higher than the lowest water level of pump (D).



CAUTION FOR INSTALLATION

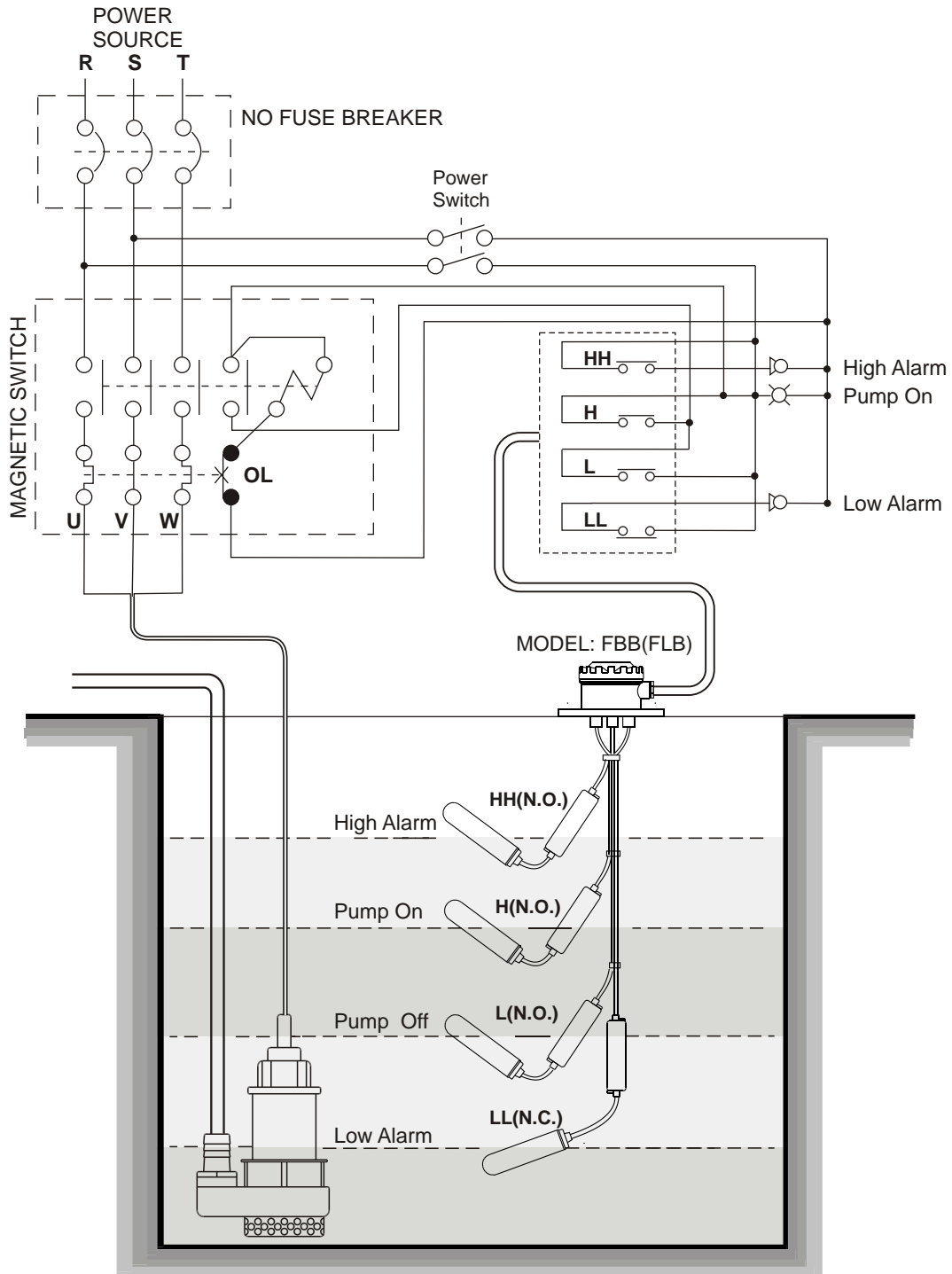
Keep proper distance between installation position and inlet of water pump to prevent float switch being sucked by inlet of water pump.

There should be a proper distance between installation position and inlet of water to prevent direct water impact. If it can't be avoided, please install wave-resistance pipe or wave-resistance plate for protection.



APPLICATION

The FBB type is suitable for installation from the roof of tank for pumping control with level alarms.



HOW TO ORDER FB TYPE

Various types of multi-point products can be selected depending on user's requirement.
 For example:
 FB-B type is suitable for Corrosive liquid.
 FB-A type is suitable for high temperature liquid. (170°C)

DISTANCE OF CONTROL POINT

| | NO | NC |
|----------------|--------------------------|--------------------------|
| ℓ 1 : _____ mm | <input type="checkbox"/> | <input type="checkbox"/> |
| ℓ 2 : _____ mm | <input type="checkbox"/> | <input type="checkbox"/> |
| ℓ 3 : _____ mm | <input type="checkbox"/> | <input type="checkbox"/> |
| ℓ 4 : _____ mm | <input type="checkbox"/> | <input type="checkbox"/> |
| L : _____ mm | | |

FB ()

Cable Length (unit: mm)

- 0500: 500mm up
- 1000: 501~1000mm
- 1500: 1001~1500mm
- ※ 500mm per Unit
- ※ Use English letter as first code for probe length over 10m.
- A150 represents 15m, A200 represents 20m

Cable Material

- S: Stainless
- N: Nylon

Weight quantity

1~4

Weight material

- C: P.P.
- P: PPφ28x106

- S: SUS304

Float quantity

1~4

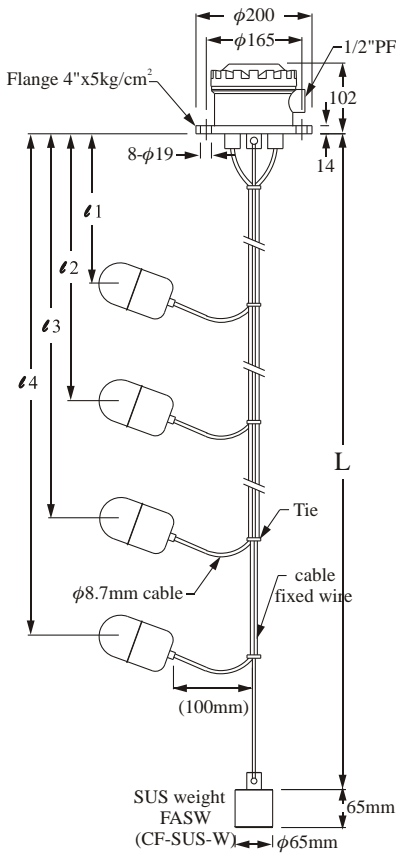
Float material

- C: P.P. (φ90x110 Neoprene cable)
- P: P.P. (φ70x108 PVC cable)
- R: P.P. (φ70x108 Neoprene cable)
- S: SUS(φ75x120 Silicon cable)
- D: PVC(φ70x108 Neoprene cable)
- E: PVC(φ70x108 PVCcable)
- L: P.P. (φ29x145 PVC cable)
- M: P.P. (φ29x145 Neoprene cable)
- G: P.P. (φ29x145 PVC cable)
- H: P.P. (φ29x145 Neoprene cable)
- J: P.P. (φ29x145 PVC cable)
- K: P.P. (φ29x145 Neoprene cable)

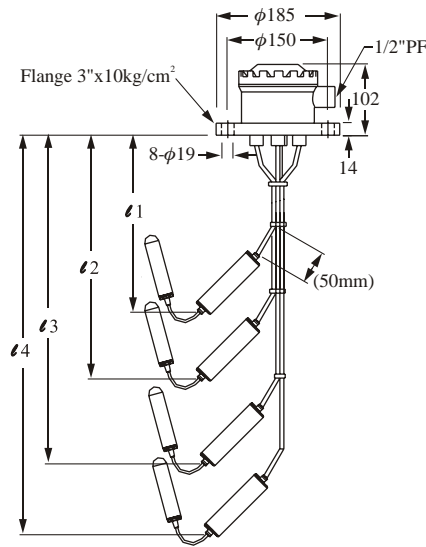
Housing

- A: Aluminum
- B: Plastic
- S: SUS304

MODEL: FBA (FLA)



MODEL: FBB (FLB)



MODEL: FBS (FLB)

