

SPM-L



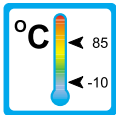
Operation

The flow switches type SPM-L are paddle switches



Application

The flow switches type SPM-L are used for monitoring volumeflow of gases.

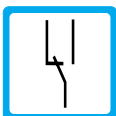


Areas of application:



– Coolingsystems and cooling-circuits

– Heating and air-conditioning systems



– Research and development

Features

The SPM-L series proves itself through reliable function and easy handling.

Further characteristics of this sturdy type are:

- low sensitivity to dirt
- high contact rating
- easy installation
- low pressure drop

Installation hints

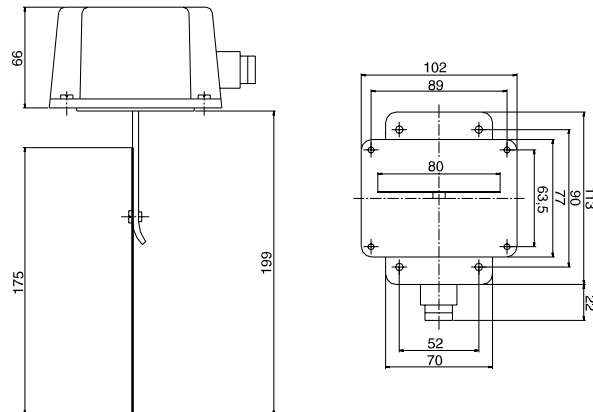
The flow switch can be installed horizontally or vertically in the system. The instrument must not be installed upside down. The flow direction must be observed.

Flow-straightening sections of at least 5x the pipe diameter should be considered up- and down-stream of the SPM-L. The switchpoint must be re-adjusted for vertical installation to compensate the paddle weight.

The flow switch must not be used as a supporting part in a pipe construction!

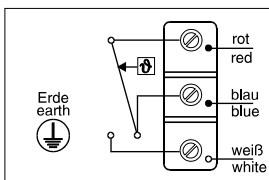


Technical Data



SPM-L

Connection diagram



red: common

blue: N. C. (Normally closed)

white: N. O. (Normally open)

For switch values refer to table 1.

The instruments are factory adjusted for minimum switch values.

By turning the spancrew clockwise the switch values can be increased (refer to operating instruction).

Table 1: Switch values for air

Type	switch-off value min. [m/s]	switch-off value max. [m/s]	switch-on value min. [m/s]	switch-on value max. [m/s]
SPM-L	1,0	8,0	2,5	9,2

If the switchpoint is above 5 m/s the paddle has to be cut off at the marking.

Then the lowest switch-off value increases to 2,5 m/s flow velocity.

Technical Data

Housing:	Galvanized steel bottom plate with ABS-Cover; Ingress protection of the external side: IP 65			
Mounting plate:	Brass			
Paddle:	Stainless Steel 1.4310			
Contact:	Dust tight micro switch	Switch values:	15 (8) A, 24 - 250 V AC	
optional:	Gold contacts on request			
Medium temperature:	-10 °C to 85 °C	Ambient temperature:	-10 °C to 85 °C	

SPM-L 2 0002 02-05 E M

