

DHTA-1SE DHTA-2SE

Function

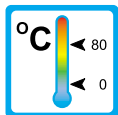
The flowmeters type DHTA-1SE and DHTA-2SE are impeller flowmeters.



Application

The impeller flowmeters type DHTA-1SE and DHTA-2SE are employed to measure and monitor volume flow of liquids. Areas of application:

- Mechanical Engineering
- Pharmaceutical Industry
- Chemical Industry
- Research and Development



Features

The series proves itself through reliable function and easy handling. Further characteristics of this model are:

- PP-Version
- High accuracy
- Analog output (4 - 20 mA)
- DHTA-1SE:
Mounting in different pipe diameters possible (mounting via T-piece)
- DHTA-2SE:
Threaded connection

Installation hints

The flowmeter can be installed vertical or horizontal. The unit must not be installed on the bottom (Danger of sedimentation). The flow direction must be observed.

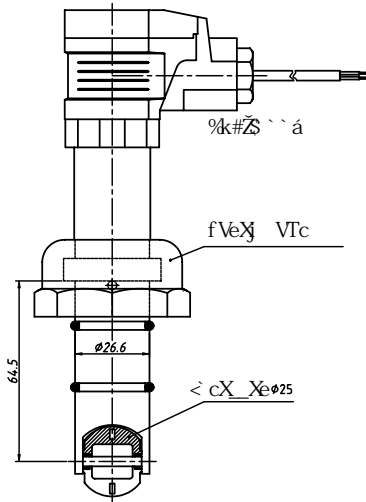
The flowmeter must not be used as a supporting part in a pipe construction.

The liquid must not contain any solids.

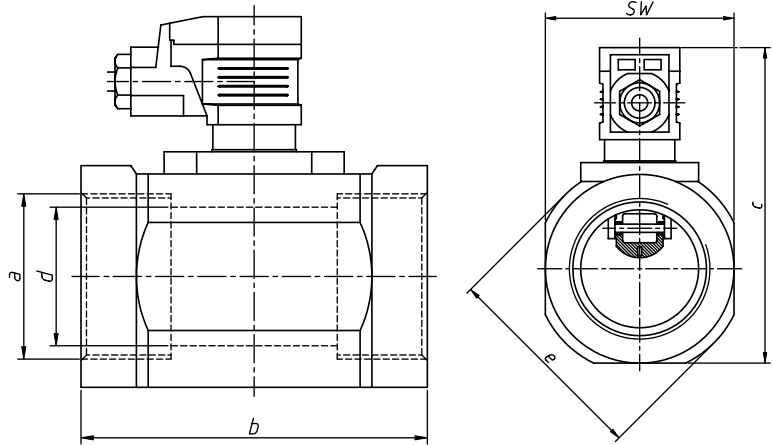
External magnetic fields influence the measurement. Keep sufficient distance to magnetic fields (e.g. electromotors).



Ranges, Technical data



DHTA-1SE



Dimensions DHTA-2SE

Fitting	Dimensions [mm]					
	a	SW	e	d	c	b
DN 25	G 1"	70	74	25	119	110
DN 32	G 1 1/4"	70	78	32	123	110
DN 40	G 1 1/2"	75	80	40	125	120
DN 50	G 2"	75	89	50	135	125

Operating data	DHTA-1SE	DHTA-2SE
Flow range (H ₂ O at 22 °C):		0,15 - 10 m/s
Sensing principle:		inductive, touchless
Viscosity range:		0,5 - 20 cSt
Accuracy:		± 1 % f.s.d. over calibrated range
Repeatability:		± 0,5 % f.s.d. over calibrated range
Max. operating pressure:		10 bar
Burst pressure (at 22 °C):		15 bar
Operating temperature:		0 °C to +80 °C
Ingress protection:		IP 65
Output signal:		4 - 20 mA (adjustable)
Power supply:		10 - 24 VDC (see example „Operating circuit“)
Connection cable:		Round cable 2 x 0,14 mm ² LIYY

Materials	DHTA-1SE	DHTA-2SE
Fitting / Sensor head:	—	PP /PP
Housing:	PP	—
Impeller:	ECTFE	ECTFE
Bearing (spigot / bearing):	ceramic (AL ₂ O ₃) / ceramic (AL ₂ O ₃)	ceramic (AL ₂ O ₃) / ceramic (AL ₂ O ₃)
Magnets:	ECTFE-encapsulated	ECTFE-encapsulated
O-Rings:	Viton (optional EPDM)	Viton (optional EPDM)
Weight:	approx. 126 g	depends on fitting
Process connection:	Mounting in pipe connection via T-piece	Threat connection

Connection diagram

Colour	Explanation	Characteristic data
white	4 - 20 mA signal line	4 - 20 mA
brown	4 - 20 mA signal line	4 - 20 mA

Operating circuit (example)

