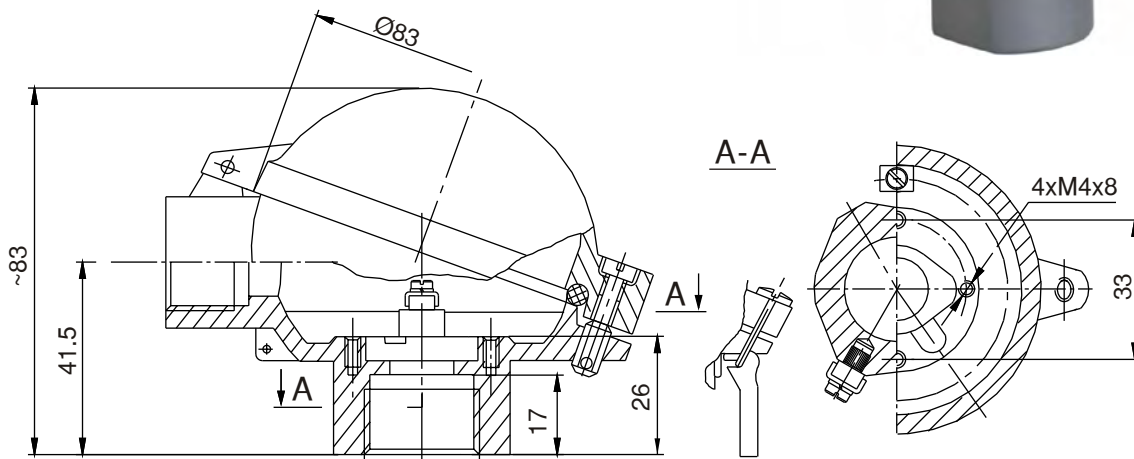


## SNAP TOP COVER

TYPE: EA1



Dimension:

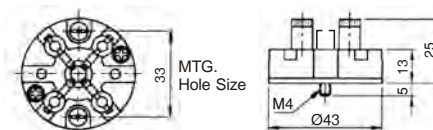


Note: Head dimensions are nominal and may slightly depending on material.

HEAD DESCRIPTION AND PART NUMBERS							
Instrument Connection	Conduit Connection	Terminal Block Material	Head&cover w/o Block	Complete Head & Block Assembly			
				2-Tem	3-Tem	4-Tem	6-Tem
DIE-CAST ALUMINUM HEAD AND COVER							
1/2"NPT	3/4"NPT	Bakelite	EA1-CU	EA1-CU-A-2P-B	EA1-CU-A-3P-B	EA1-CU-A-4P-B	EA1-CU-A-6P-B
1/2"NPT	3/4"NPT	Ceramic	EA1-CU	EA1-CU-A-2P-C	EA1-CU-A-3P-C	EA1-CU-A-2P-C	EA1-CU-A-6P-C

TERMINAL BLOCK NUMBERS		
# of Terminals	Bakelite	Ceramic
2-Tem	A-2P-B	A-2P-C
3-Tem	A-3P-B	A-3P-C
4-Tem	A-4P-B	A-4P-C
6-Tem	A-6P-B	A-6P-C

Dimension:



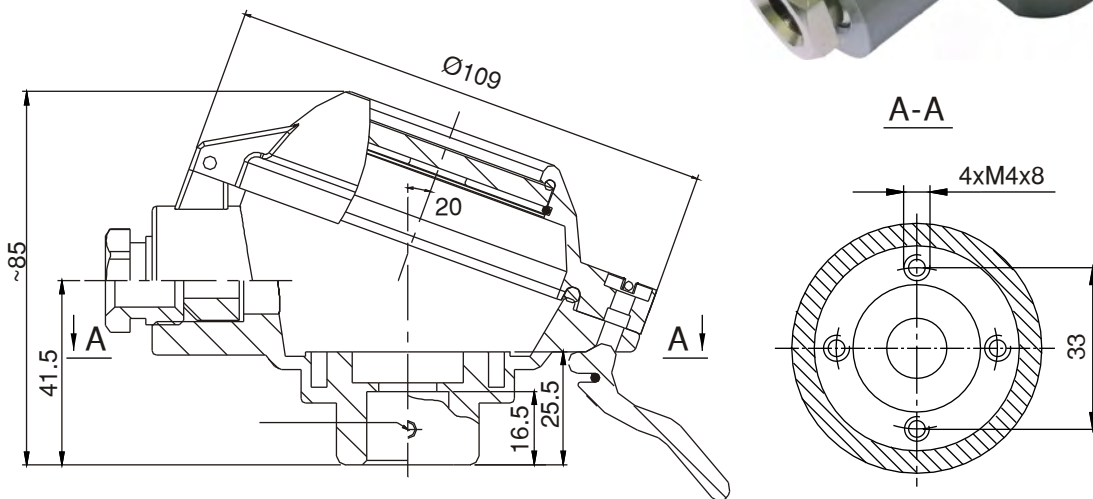
# THERMOCOUPLE HEAD & TERMINAL BLOCKS

## SNAP TOP WINDOW COVER

TYPE: EA2W



Dimension:

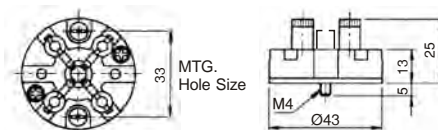


Note: Head dimensions are nominal and may slightly depending on material.

HEAD DESCRIPTION AND PART NUMBERS							
Instrument Connection	Conduit Connection	Terminal Block Material	Head&cover w/o Block	Complete Head & Block Assembly			
				2-Tem	3-Tem	4-Tem	6-Tem
DIE-CAST ALUMINUM HEAD AND COVER							
1/2"NPT	3/4"NPT	Bakelite	EA2WCU	EA2WCU-A-2P-B	EA2WCU-A-3P-B	EA2WCU-A-4P-B	EA2WCU-A-6P-B
1/2"NPT	3/4"NPT	Ceramic	EA2WCU	EA2WCU-A-2P-C	EA2WCU-A-3P-C	EA2WCU-A-4P-C	EA2WCU-A-6P-C

TERMINAL BLOCK NUMBERS		
# of Terminals	Bakelite	Ceramic
2-Tem	A-2P-B	A-2P-C
3-Tem	A-3P-B	A-3P-C
4-Tem	A-4P-B	A-4P-C
6-Tem	A-6P-B	A-6P-C

Dimension:



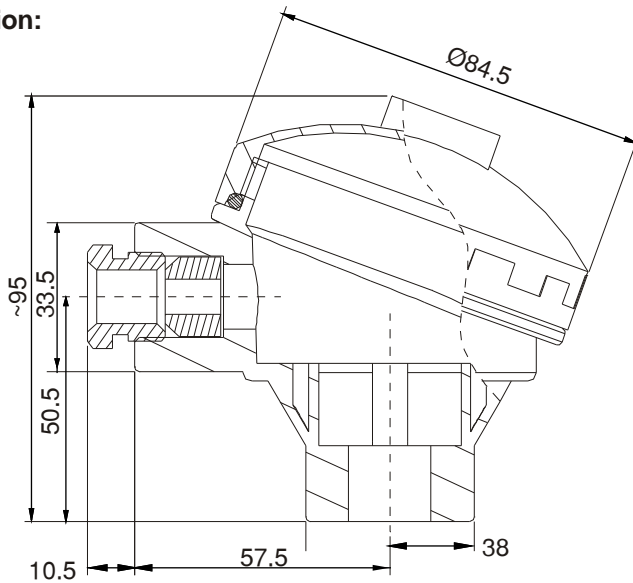
# THERMOCOUPLE HEAD & TERMINAL BLOCKS

## SCREW TOP COVER

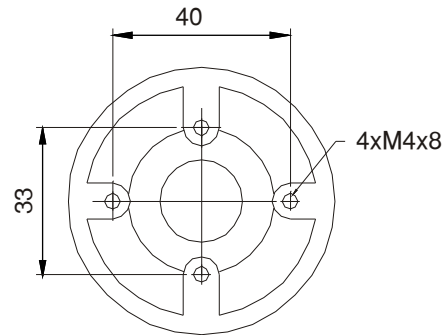
TYPE: EA3



Dimension:



A-A

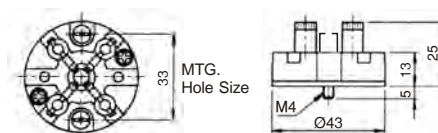


Note: Head dimensions are nominal and may slightly depending on material.

HEAD DESCRIPTION AND PART NUMBERS							
Instrument Connection	Conduit Connection	Terminal Block Material	Head&cover w/o Block	Complete Head & Block Assembly			
				2-Tem	3-Tem	4-Tem	6-Tem
DIE-CAST ALUMINUM HEAD AND COVER							
1/2"NPT	3/4"NPT	Bakelite	EA3-CU	EA3-CU-A-2P-B	EA3-CU-A-3P-B	EA3-CU-A-4P-B	EA3-CU-A-6P-B
1/2"NPT	3/4"NPT	Ceramic	EA3-CU	EA3-CU-A-2P-C	EA3-CU-A-3P-C	EA3-CU-A-2P-C	EA3-CU-A-6P-C

TERMINAL BLOCK NUMBERS		
# of Terminals	Bakelite	Ceramic
2-Tem	A-2P-B	A-2P-C
3-Tem	A-3P-B	A-3P-C
4-Tem	A-4P-B	A-4P-C
6-Tem	A-6P-B	A-6P-C

Dimension:



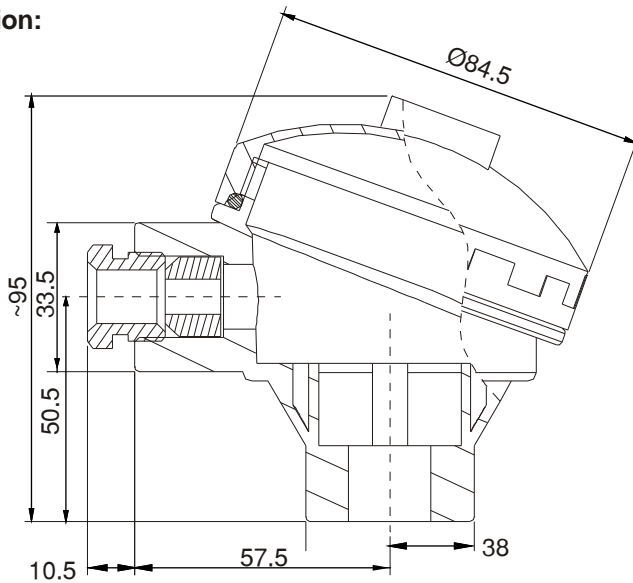
# THERMOCOUPLE HEAD & TERMINAL BLOCKS

## SCREW TOP COVER

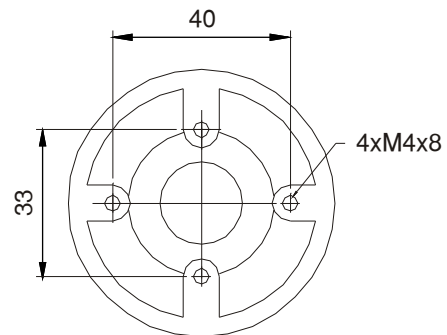
TYPE: EP4



Dimension:



A-A

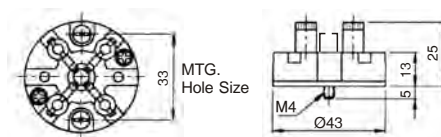


Note: Head dimensions are nominal and may slightly depending on material.

HEAD DESCRIPTION AND PART NUMBERS							
Instrument Connection	Conduit Connection	Terminal Block Material	Head&cover w/o Block	Complete Head & Block Assembly			
				2-Tem	3-Tem	4-Tem	6-Tem
POLYPROPYLENE(P.P) HEAD AND COVER							
1/2"NPT	3/4"NPT	Bakelite	EP4-CU	EP4-CU-A-2P-B	EP4-CU-A-3P-B	EP4-CU-A-4P-B	EP4-CU-A-6P-B
1/2"NPT	3/4"NPT	Ceramic	EP4-CU	EP4-CU-A-2P-C	EP4-CU-A-3P-C	EP4-CU-A-4P-C	EP4-CU-A-6P-C
BAKELITE HEAD AND COVER							
1/2"NPT	1/2"NPT	Bakelite	EP4-BU	EP4-BU-A-2P-B	EP4-BU-A-3P-B	EP4-BU-A-4P-B	EP4-BU-A-6P-B
1/2"NPT	1/2"NPT	Ceramic	EP4-BU	EP4-BU-A-2P-C	EP4-BU-A-3P-C	EP4-BU-A-4P-C	EP4-BU-A-6P-C

TERMINAL BLOCK NUMBERS		
# of Terminals	Bakelite	Ceramic
2-Tem	A-2P-B	A-2P-C
3-Tem	A-3P-B	A-3P-C
4-Tem	A-4P-B	A-4P-C
6-Tem	A-6P-B	A-6P-C

Dimension:



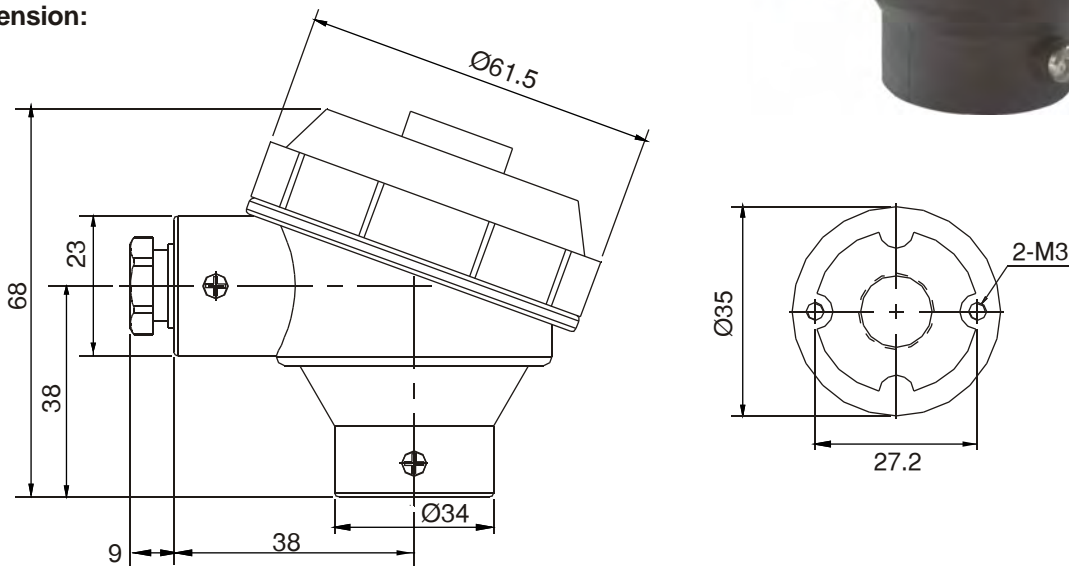
# THERMOCOUPLE HEAD & TERMINAL BLOCKS

## SCREW TOP COVER (BAKELITE)

TYPE: EB5



Dimension:

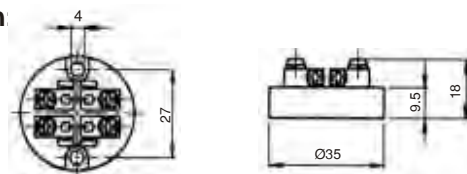


Note: Head dimensions are nominal and may slightly depending on material.

HEAD DESCRIPTION AND PART NUMBERS							
Instrument Connection	Conduit Connection	Terminal Block Material	Head&cover w/o Block	Complete Head & Block Assembly			
				2-Tem	3-Tem	4-Tem	6-Tem
BAKELITE HEAD AND COVER							
1/2"NPT	3/4"NPT	Bakelite	EB5-CU	EB5-CU-C-2P-B	EB5-CU-C-3P-B	EB5-CU-C-4P-B	EB5-CU-C-6P-B
1/2"NPT	3/4"NPT	Ceramic	EB5-CU	EB5-CU-C-2P-C	EB5-CU-C-3P-C	EB5-CU-C-2P-C	EB5-CU-C-6P-C

TERMINAL BLOCK NUMBERS		
# of Terminals	Bakelite	Ceramic
2-Tem	C-2P-B	C-2P-C
3-Tem	C-3P-B	C-3P-C
4-Tem	C-4P-B	C-4P-C

Dimension



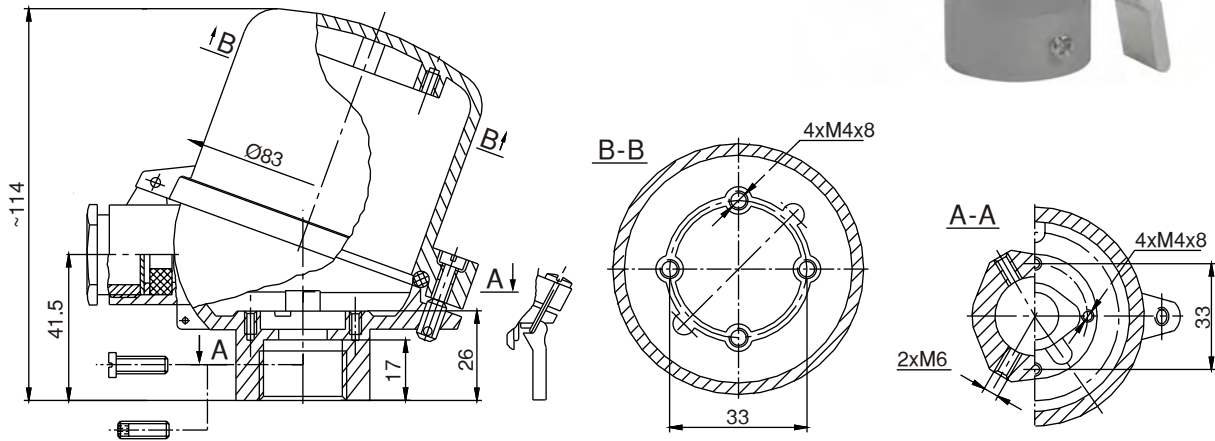
# THERMOCOUPLE HEAD & TERMINAL BLOCKS

## FLIP TOP EXTENDED COVER

TYPE: EA6



Dimension:

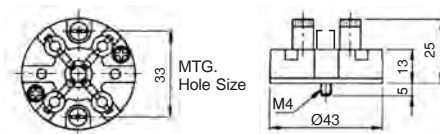


Note: Head dimensions are nominal and may slightly depending on material.

HEAD DESCRIPTION AND PART NUMBERS							
Instrument Connection	Conduit Connection	Terminal Block Material	Head&cover w/o Block	Complete Head & Block Assembly			
				2-Tem	3-Tem	4-Tem	6-Tem
DIE-CAST ALUMINUM HEAD AND COVER							
1/2"NPT	3/4"NPT	Bakelite	EA6-CU	EA6-CU-A-2P-B	EA6-CU-A-3P-B	EA6-CU-A-4P-B	EA6-CU-A-6P-B
1/2"NPT	3/4"NPT	Ceramic	EA6-CU	EA6-CU-A-2P-C	EA6-CU-A-3P-C	EA6-CU-A-2P-C	EA6-CU-A-6P-C

TERMINAL BLOCK NUMBERS		
# of Terminals	Bakelite	Ceramic
2-Tem	A-2P-B	A-2P-C
3-Tem	A-3P-B	A-3P-C
4-Tem	A-4P-B	A-4P-C
6-Tem	A-6P-B	A-6P-C

Dimension:

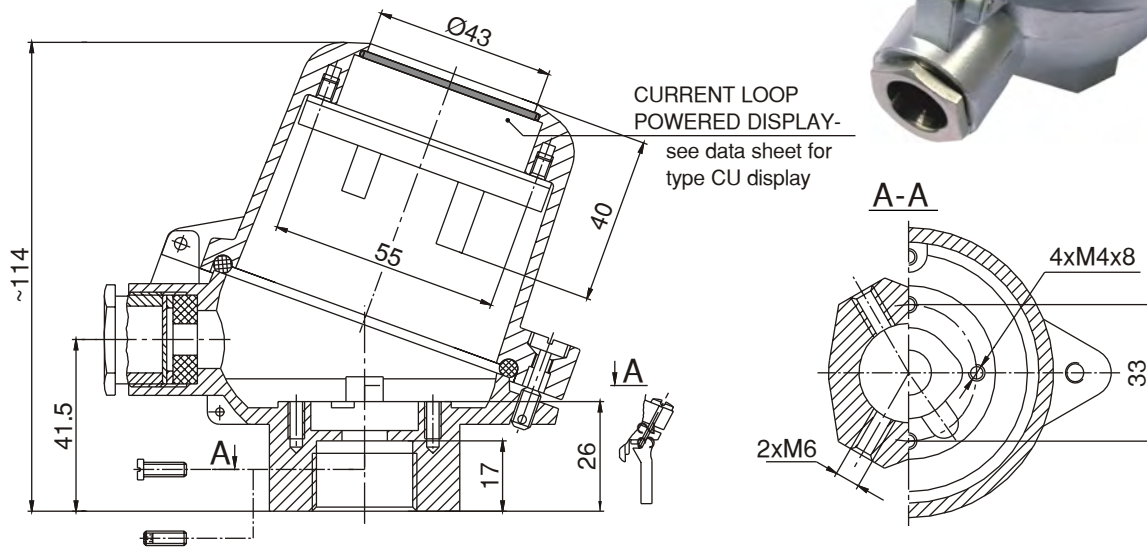


# THERMOCOUPLE HEAD & TERMINAL BLOCKS

## FLIP TOP EXTENDED WINDOW COVER TYPE: EA7W



Dimension:

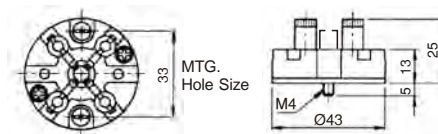


Note: Head dimensions are nominal and may slightly depending on material.

HEAD DESCRIPTION AND PART NUMBERS							
Instrument Connection	Conduit Connection	Terminal Block Material	Head&cover w/o Block	Complete Head & Block Assembly			
				2-Tem	3-Tem	4-Tem	6-Tem
DIE-CAST ALUMINUM HEAD AND COVER							
1/2"NPT	3/4"NPT	Bakelite	EA7WCU	EA7WCU-A-2P-B	EA7WCU-A-3P-B	EA7WCU-A-4P-B	EA7WCU-A-6P-B
1/2"NPT	3/4"NPT	Ceramic	EA7WCU	EA7WCU-A-2P-C	EA7WCU-A-3P-C	EA7WCU-A-4P-C	EA7WCU-A-6P-C

TERMINAL BLOCK NUMBERS		
# of Terminals	Bakelite	Ceramic
2-Tem	A-2P-B	A-2P-C
3-Tem	A-3P-B	A-3P-C
4-Tem	A-4P-B	A-4P-C
6-Tem	A-6P-B	A-6P-C

Dimension:



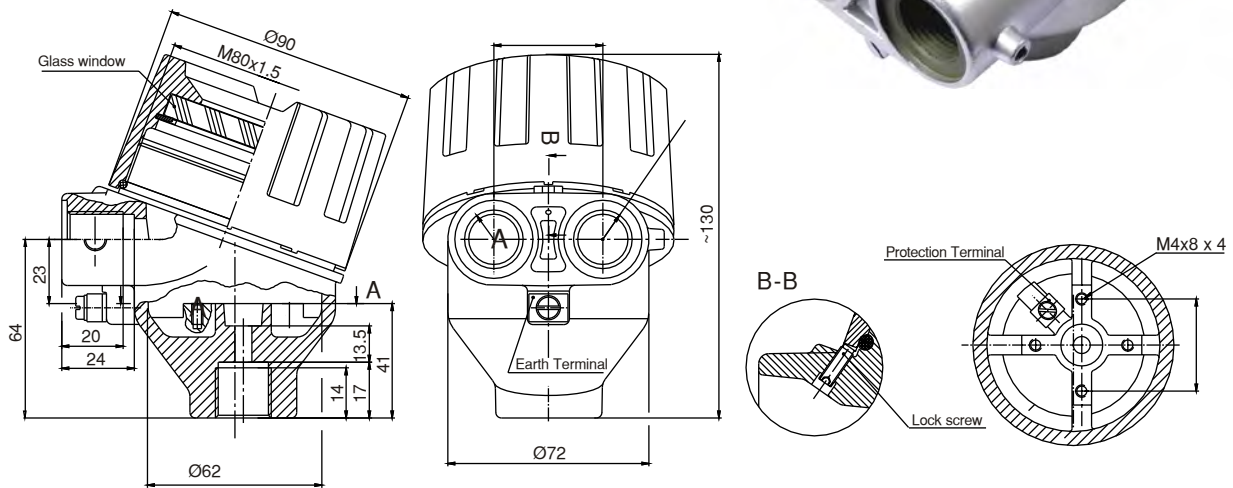


# THERMOCOUPLE HEAD & TERMINAL BLOCKS

## EXPLOSION PROOF TYPE: EA8W



Dimension:



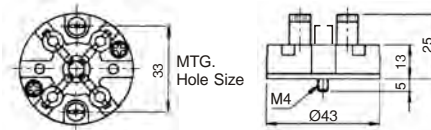
Note: Head dimensions are nominal and may slightly depending on material.

HEAD DESCRIPTION AND PART NUMBERS							
Instrument Connection	Conduit Connection	Terminal Block Material	Head&cover w/o Block	Complete Head & Block Assembly			
				2-Tem	3-Tem	4-Tem	6-Tem
DIE-CAST ALUMINUM HEAD AND COVER							
1/2"NPT	3/4"NPT	Bakelite	EA8WCU	EA8WCU-A-2P-B	EA8WCU-A-3P-B	EA8WCU-A-4P-B	EA8WCU-A-6P-B
1/2"NPT	3/4"NPT	Ceramic	EA8WCU	EA8WCU-A-2P-C	EA8WCU-A-3P-C	EA8WCU-A-4P-C	EA8WCU-A-6P-C

PROTECTION CONCEPT				
Protection Method	Type of protection	ATEX Marking	Premitted use	Protection Principe
Flameproof EN 500014 EN 50018 EN 50281-1-1	Eex dIIC	1026  II 2GD	Zone 1 Zone 2 Zone 21 Zone 22	Contain the explosion and quench the flame

TERMINAL BLOCK NUMBERS		
# of Terminals	Bakelite	Ceramic
2-Tem	A-2P-B	A-2P-C
3-Tem	A-3P-B	A-3P-C
4-Tem	A-4P-B	A-4P-C
6-Tem	A-6P-B	A-6P-C

Dimension:





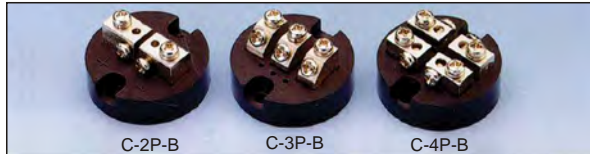
# OPEN DISC & TERMINAL BLOCK



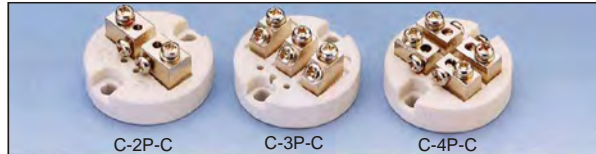
B-Bakelite Open Disc (MTG. Hole Center Size 40mm)



A-Superior Ceramic Open Disc With Brass Back -Up Plate  
B-Bakeite Open Disc With Brass Back -Up Plate (MTG. Hole Center Size 33mm)

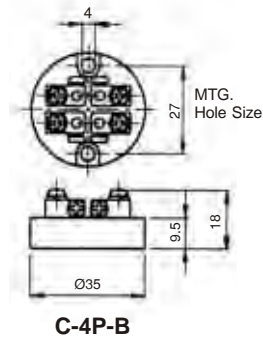
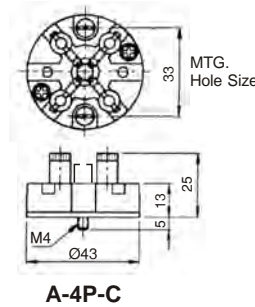
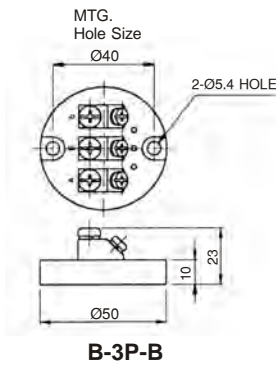


C-Ceramic Open Disc (MTG. Hole Center Size 27mm)  
B-Bakelite Open Disc (MTG. Hole Center Size 27mm)



A-Superior Ceramic Open Disc (MTG. Hole Center 27mm)

## Dimension:



## ORDER INFORMATION

### Mounting Disc Outside Diameter

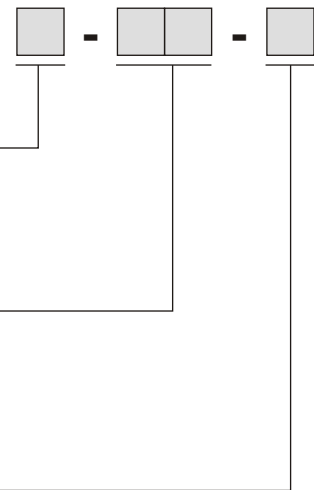
- A : Ø43mm
- B : Ø50mm
- C : Ø35mm

### Terminal Block Qty & Disc Material Selection

- 2P : A, B, C Type
- 3P : A, C Type
- 3Y : A, B Type
- 4P : A, B, C Type
- 6P : A, B Type

### Open disc material

- A: Superior Ceramic( $Al_2O_3$  92%)
- B: Bakelite
- C: Ceramic



# ORDER INFORMATION

## Thermocouple Head

E

### Material

A: Aluminum      N: Nylon +Fiber  
 B: Bakelite      P: PP  
 C: Cast Iron     S: SUS

### Head Configuration



### Window

—: None  
 W: Window Type

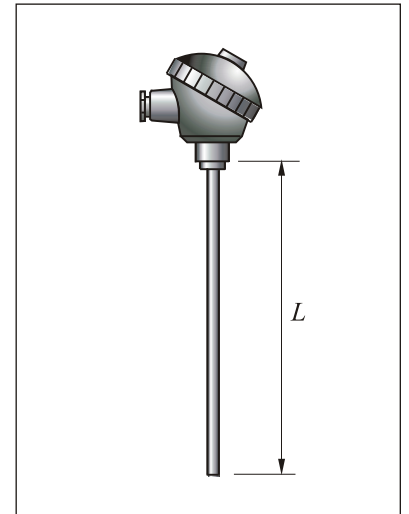
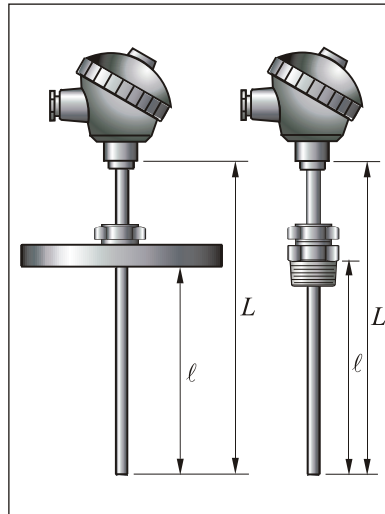
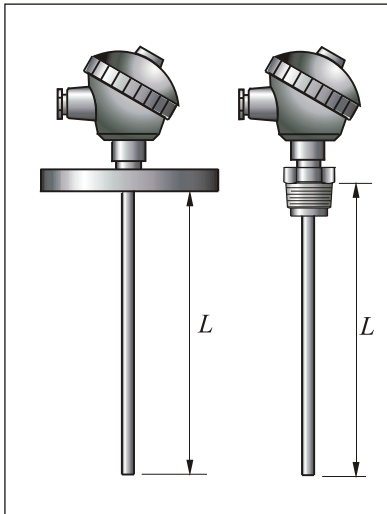
### Instrument Connection Selectable Size

AR---PF3/8"	BT---BSP1/2"	AV---G3/8	M1---M16x1.5
BR---PF1/2"	CT---BSP3/4"	BV---G1/2	M2---M20x1.5
CR---PF3/4"	BU---NPT1/2"	CV---G3/4	M4---M24x1.5
	CU---NPT3/4"		M7---M27x2

# THERMOCOUPLE & THERMOMETER

## THERMOCOUPLE

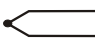





## RESISTANCE BULE



### STANDARD TYPE

### ADJUSTABLE TYPE

### INTERCALARY TYPE

	STANDARD TYPE		ADJUSTABLE TYPE		INTERCALARY TYPE	
Type	 <b>GKEA</b>	 <b>GPEA</b>	 <b>GKEB/GKKB</b>	 <b>GPEB/GPKB</b>	 <b>GKEH</b>	 <b>GPEH</b>
Operating Temp.	0~1200°C	-50~500°C	0~1200°C	-50~500°C	0~480°C	-50~250°C
Class Tolerance	JIS 0.75 grade $\pm 0.0075 \times  t $	IEC 751 CLASS B $0.3 \pm 0.005 \times  t $	JIS 0.75 grade $\pm 0.0075 \times  t $	IEC 751 CLASS B $0.3 \pm 0.005 \times  t $	JIS 0.75 grade $\pm 0.0075 \times  t $	IEC 751 CLASS B $0.3 \pm 0.005 \times  t $
Protective Grade	IP65	IP65	IP65/IP44	IP65/IP44	IP65	IP65
Connection	1", 1 1/2" x 5kg/cm <sup>2</sup> 1/2"PT, 3/4"PT	1", 1 1/2" x 5kg/cm <sup>2</sup> 1/2"PT, 3/4"PT	1", 1 1/2" x 5kg/cm <sup>2</sup> 1/2"PT, 3/4"PT	1", 1 1/2" x 5kg/cm <sup>2</sup> 1/2"PT, 3/4"PT	---	---
Tube diameter	$\phi 5, \phi 6$ $\phi 8, \phi 9.5$	$\phi 8, \phi 12.7$ $\phi 17.2$	$\phi 5, \phi 6$ $\phi 8, \phi 9.5$	$\phi 8, \phi 12.7$ $\phi 17.2$	$\phi 6, \phi 17.2$	$\phi 6, \phi 17.3$
Material	SUS304/316 Titanium	SUS304/316 Titanium	SUS304/316 Titanium	SUS304/316 Titanium	SUS304/316 Titanium, PTFE	SUS304/316 Titanium
Isolation resistance	> 1000M $\Omega$ /500V	> 1000M $\Omega$ /500V	> 1000M $\Omega$ /500V	> 1000M $\Omega$ /500V	> 1000M $\Omega$ /500V	> 1000M $\Omega$ /500V
Wire	Nickel-Aluminum Nickel-Chromium	---	Nickel-Aluminum Nickel-Chromium	---	Nickel-Aluminum Nickel-Chromium	---

★ Special specification are acceptable

# ORDER INFORMATION

**G P EA2W A BR S2 1000**

**Type** \_\_\_\_\_

C: C Type Thermocouple      P: P Type Thermocouple  
 J: J Type Thermocouple      R: R Type Thermocouple  
 K: K Type Thermocouple      S: Other

**Terminal Box** \_\_\_\_\_

EA1      EB5  
 EA2W    EA6  
 EA3      EA7W  
 EP4      EA8W

**Connection Type** \_\_\_\_\_

A: Standard Type  
 B: Adjustable Type  
 H: Extension Type

**Connecting Code** \_\_\_\_\_

3: 1-1/4" (32A)	H: 3" (80A)	R: PF
A: 3/8" (12A)	I: 4" (100A)	T: BSP
B: 1/2" (15A)	J: 5" (125A)	U: NPT
C: 3/4" (20A)	K: 6" (150A)	W: PN10(10Bar)
D: 1" (25A)	M: 5 kg/cm <sup>2</sup>	X: PN16(16Bar)
E: 1-1/2" (40A)	N: 10 kg/cm <sup>2</sup>	Y: PN25(25Bar)
F: 2" (50A)	O: 150 Lbs	Z: PN40(40Bar)
G: 2-1/2" (65A)	P: 300 Lbs	S: other
H: 3" (80A)	Q: PT	

**Rod Material & Diameter** \_\_\_\_\_

S1 : $\phi$ 5    SUS304	S9 : $\phi$ 12.7    SUS304	P1 : p.p. $\phi$ 5	T1 : Titanium $\phi$ 5	F1 : Teflon $\phi$ 5
S2 : $\phi$ 5    SUS316	SA : $\phi$ 12.7    SUS316	P2 : p.p. $\phi$ 6	T2 : Titanium $\phi$ 12.7	F2 : Teflon $\phi$ 6
S3 : $\phi$ 6    SUS304	SB : $\phi$ 17.2    SUS304	P3 : p.p. $\phi$ 9.5	TS : other	F3 : Teflon $\phi$ 8
S4 : $\phi$ 6    SUS316	SC : $\phi$ 17.2    SUS316	P4 : p.p. $\phi$ 17.6		FS : other
S6 : $\phi$ 8    SUS316	SP : $\phi$ 21.7    SUS304	PS : other		
S7 : $\phi$ 9.5    SUS304	SE : $\phi$ 21.7    SUS316			
S8 : $\phi$ 9.5    SUS316	SS : other			

**Length (UNIT: mm)** \_\_\_\_\_

Please confirm below request information before you order it.

- Operating temperature range.
- Lead wire: material, length quantity
- Rod length:  $l, l_1, X, Y$
- Quantities of sensor