

TEL: 886-2-26894607, 26886025 FAX: 886-2-26894533, 26883318

http://www.fineautomation.com e-mail: L2923@ms15.hinet.net

Our Product Approvals



Underwriters Laboratories Inc.
(USA)



Germanischer Lloyd
(Germany)



Explosion Protection and
Safety of Instrumentation
(China)



American Bureau of Shipping
(USA)



China Corporation
Register of Shipping



Verband Der Elektrotechnik

Our R&D

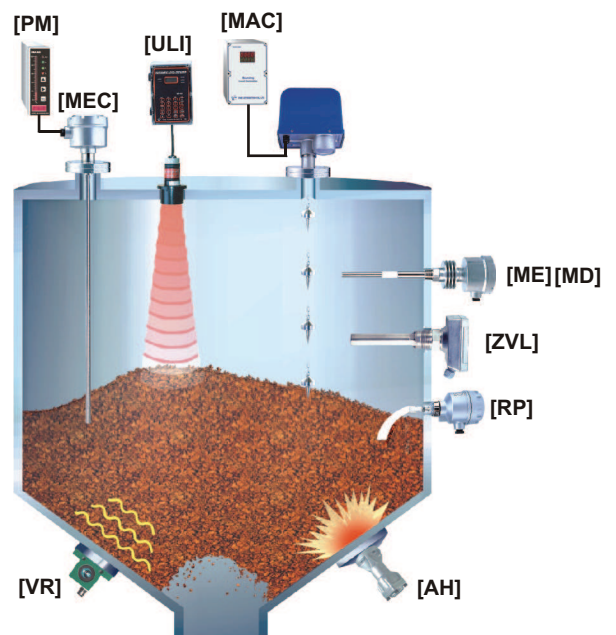
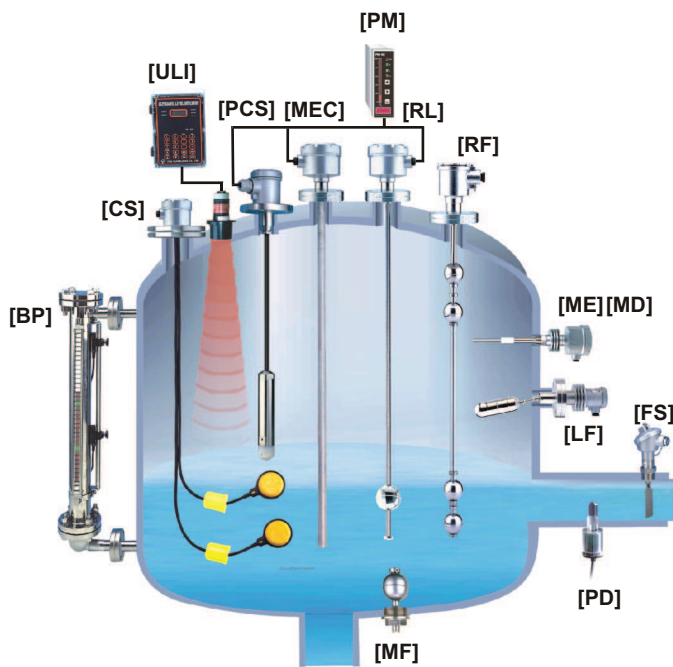


The continuing Research & Development result in many patents of our firm. There are still some applications in processing. It is our goal to render customers satisfied superior quality, prompt service and competitive price on the market.





RANGE OF PRODUCTS


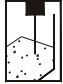

- [BP]** By-Pass Level Indicator
- [CS]** Cable Float Level Switch
- [ULI]** Ultrasonic Level Indicator
- [PM]** MicroProcessor Panel Meter
- [MEC]** Capacitance Level Indicator
- [RL]** Magnetic Float Level Indicator
- [RF]** Magnetic Float Level Switch
- [ME]** Capacitance Level Switch
- [LF]** Side Mounting Float Switch
- [PD]** Optical Level Switch
- [FS]** Flow Switch
- [MF]** Mini Float Level Switch
- [PCS]** Pressure Level Indicator

- [MAC]** Electromechanical Level Measuring System
- [ZVL]** Vibrating Probe Level Switch
- [RP]** Rotary Paddle Level Switch
- [AH]** Air Hammer
- [VK/VP/VR/VT]** Pneumatic Vibrator
- Valve and Controller for Dust Collector System
- Thermocouple & Thermometer
- Speed Monitor & Controller
- Dyeing Controller
- Pressure Transmitter



The List of Products

Liquid Tank		Single-Switch						Continuous Indicator						
														
		RF(MINI)	RF(Magnetic)	LF	CS	PD	ME	MD	RL	BP	PCS	ULI	MAC	MEC
Tank Size	4M Over		●	●	●	●	●	●	●	●	●	●	●	●
	1-4M		●	●	●	●	●	●	●	●	●	●	●	●
	1m Lower	●	●	●	●	●	●	●	●	●	●	●	●	●
Installation	Up	●	●	●	●	●	●	●	●	●	●	●	●	●
	Side	●		●	●	●	●	●	●	●				
	Down	●				●	●	●		●				
	Isolation										●			
Measuring Material	Powder				●		●	●			●	●	●	●
	Grain				●		●	●			●	●	●	●
	Adhesive				●	●	●	●			●	●	●	●
	Liquid	●	●	●	●	●	●	●	●	●	●	●	●	●
Specific Gravity	0.8 Over	●	●	●	●	●	●	●	●	●	●	●	●	●
	0.5-1	●	●	●	●	●	●	●	●	●	●	●	●	●
	0.3-0.5			●	●	●	●	●		●	●		●	●
	0.3 Lower				●	●	●	●		●	●		●	●
Material Humidity	High	●	●		●	●	●	●	●	●	●	●	●	●
	Low						●	●	●	●	●	●	●	●
Environment Temp.	200 Over			●			●	●		●			●	
	100-200	●	●	●	●		●	●	●	●	●	●	●	●
	80 Lower	●	●	●	●	●	●	●	●	●	●	●	●	●
Environment Pressure	Atmosphere	●	●	●	●		●	●	●	●	●	●	●	●
	Low Pressure	●	●	●	●	●	●	●	●	●		●	●	●
	High Pressure								●					
Environment Vibration	High						●							
	Low			●		●	●	●	●		●	●	●	●
Material Coating	Light		●	●	●		●	●	●	●	●	●	●	●
	Heavy										●			
Anti-corrosion	Strong		●				●	●	●	●	●	●	●	●
	Weak	●	●	●	●	●	●	●	●	●	●	●	●	●
Atmosphere	Powder-dust						●	●	●	●	●	●	●	●
	Stream	●	●	●	●	●	●	●	●	●	●	●	●	●
	No.	●	●	●	●	●	●	●	●	●	●	●	●	●

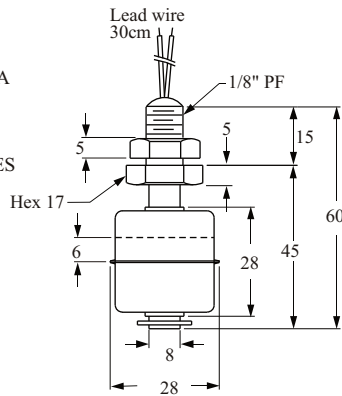
Powder Tank		Single-Switch				Continuous Indicator		
								
		ME	MD	ZVL(MV)	RP	ULI	MAC	MEC
Powder Size	4M Over	●	●	●	●	●	●	●
	1-4M	●	●	●	●	●	●	●
	1m Lower	●	●	●	●	●	●	●
Location	Up	●	●	●	●	●	●	●
	Side	●	●	●	●			
	Down	●	●	●				
	Isolation					●		
Measuring Material	Powder	●	●	●	●	●	●	●
	Grain	●	●	●	●	●	●	●
	Adhesive	●	●	●	●	●	●	●
	Liquid	●	●	●	●	●	●	●
Specific Gravity	0.8 Over	●	●	●	●	●	●	●
	0.5-1	●	●	●	●	●	●	●
	0.3-0.5	●	●	●	●	●	●	●
	0.3 Lower	●	●	●		●	●	●
Material Humidity	High	●	●	●	●	●	●	●
	Low	●	●	●	●	●	●	●
Environment Temp.	200 Over	●	●			●	●	●
	100-200	●	●	●	●	●	●	●
	80 Lower	●	●	●	●	●	●	●
Environment Pressure	Atmosphere	●	●	●	●	●	●	●
	Low Pressure	●	●	●	●	●	●	●
	High Pressure							
Environment Vibration	High	●						
	Low	●	●	●	●	●	●	●
Material Coating	Light	●	●	●		●	●	●
	Heavy		●			●		
Anti-corrosion	Strong	●	●			●	●	●
	Weak	●	●	●	●	●	●	●
Atmosphere	Powder-dust	●	●	●	●	●	●	●
	Stream	●	●	●	●	●	●	●
	No.	●	●	●	●	●	●	●

Please refer to our catalogues for the detailed specification.

MINI FLOAT LEVEL SWITCH

MODEL: RF-3001D

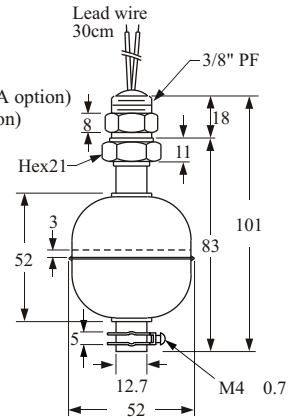
1. Switching capacity Max.: 50W/SPST
2. Switching voltage Max.: 240VAC/200VDC
3. Switching current Max.: 0.5A
4. Carry current Max.: 1A
5. Lead wire: XLPE (UL 3266 AWG22)
6. Reversible switch action: YES
7. Max. pressure: 10kg/cm²
8. Operation temp.: -10~120 C
9. Material: SUS 304
10. Suitable S.G.: 0.8
11. Weight: 35 g



 Drill hole 10mm

MODEL: RF-5001D

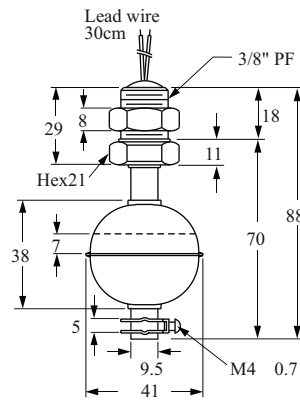
1. Switching capacity Max.: 50W/SPST
2. Switching voltage Max.: 240VAC/200VDC
3. Switching current Max.: 0.5A (3A option)
4. Carry current Max.: 1A (3A option)
5. Lead wire: XLPE (UL3266 AWG22)
6. Reversible switch action: YES
7. Max. pressure: 30kg/cm²
8. Operation temp.: -10~120 C
9. Material: SUS 304
10. Suitable S.G.: 0.55
11. Weight: 140 g



 Drill hole 17mm

MODEL: RF-4001D

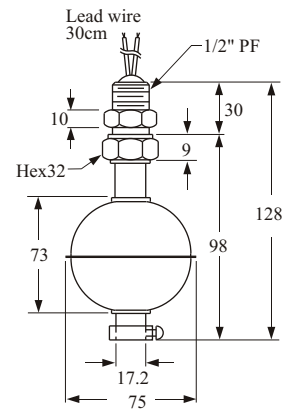
1. Switching capacity Max.: 50W/SPST
2. Switching voltage Max.: 240VAC/200VDC
3. Switching current Max.: 0.5A
4. Carry current Max.: 1A
5. Lead wire: XLPE (UL3266 AWG22)
6. Reversible switch action: YES
7. Max. pressure: 30kg/cm²
8. Operation temp.: -10~120 C
9. Material: SUS 304
10. Suitable S.G.: 0.7
11. Weight: 105 g



 Drill hole 17mm

MODEL: RF-7501G

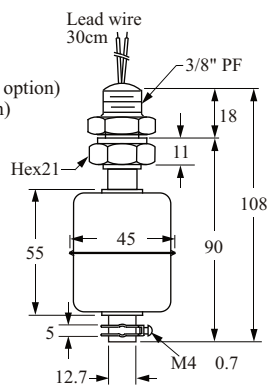
1. Switching capacity Max.: 60W, SPDT
2. Switching voltage Max.: 200VDC
3. Switching current Max.: 1A
4. Carry current Max.: 2A
5. Lead wire: XLPE (UL3266 AWG22)
6. Reversible switch action: NO
7. Max. pressure: 30kg/cm²
8. Operation temp.: -10~120 C
9. Material: SUS 304
10. Suitable S.G.: 0.55
11. Weight: 400 g



Drill hole 21mm

MODEL: RF-4501D

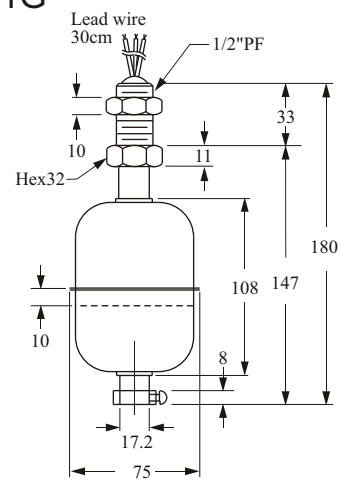
1. Switching capacity Max.: 50W/SPST
2. Switching voltage Max.: 240VAC/200VDC
3. Switching current Max.: 0.5A (3A option)
4. Carry current Max.: 1A (4A option)
5. Lead wire: XLPE (UL3266 AWG22)
6. Reversible switch action: YES
7. Max. pressure: 12kg/cm²
8. Operation temp.: -10~120 C
9. Material: SUS 304
10. Suitable S.G.: 0.65
11. Weight: 150 g



 Drill hole 17mm

MODEL: RF-1001G

1. Switching capacity Max.: 60W, SPDT
2. Switching voltage Max.: 200VDC
3. Switching current Max.: 1A
4. Carry current Max.: 2A
5. Lead wire: XLPE (UL3266 AWG22)
6. Reversible switch action: NO
7. Max. pressure: 10kg/cm²
8. Operation temp.: -10~120 C
9. Material: SUS 304
10. Suitable S.G.: 0.5
11. Weight: 450 g

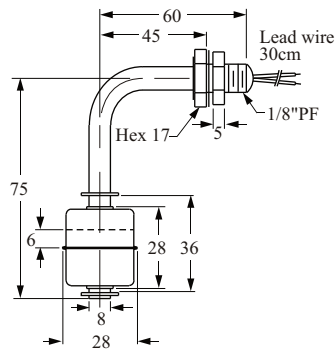


Drill hole 21mm

MINI FLOAT LEVEL SWITCH

MODEL: RF-3002D

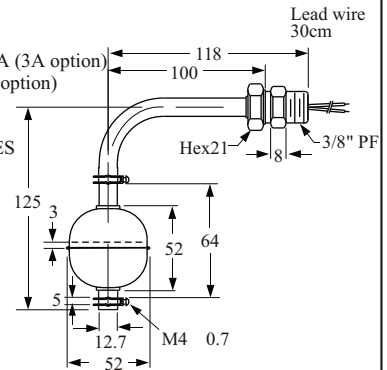
1. Switching capacity Max.: 50W/SPST
2. Switching voltage Max.: 240VAC/200VDC
3. Switching current Max.: 0.5A
4. Carry current Max.: 1A
5. Lead wire: XLPE (UL 3266 AWG22)
6. Reversible switch action: YES
7. Max. pressure: 10kg/cm²
8. Operation temp.: -10~120 C
9. Material: SUS 304
10. Suitable S.G.: 0.8
11. Weight: 43 g



Drill hole 10mm

MODEL: RF-5002D

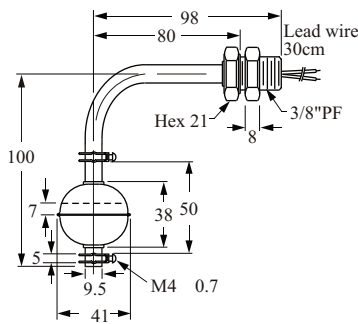
1. Switching capacity Max.: 50W/SPST
2. Switching voltage Max.: 240VAC/200VDC
3. Switching current Max.: 0.5A (3A option)
4. Carry current Max.: 1A (3A option)
5. Lead wire: XLPE (UL 3266 AWG22)
6. Reversible switch action: YES
7. Max. pressure: 30kg/cm²
8. Operation temp.: -10~120 C
9. Material: SUS 304
10. Suitable S.G.: 0.55
11. Weight: 195 g



Drill hole 17mm

MODEL: RF-4002D

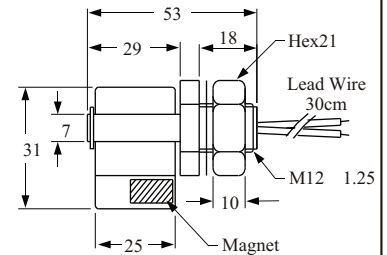
1. Switching capacity Max.: 50W/SPST
2. Switching voltage Max.: 240VAC/200VDC
3. Switching current Max.: 0.5A
4. Carry current Max.: 1A
5. Lead wire: XLPE (UL 3266 AWG22)
6. Reversible switch action: YES
7. Max. pressure: 30kg/cm²
8. Operation temp.: -10~120 C
9. Material: SUS 304
10. Suitable S.G.: 0.7
11. Weight: 125 g



Drill hole 17mm

MODEL: RF-OH11D

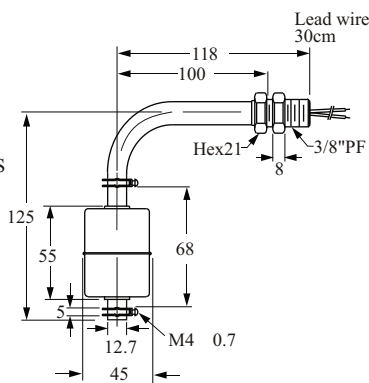
1. Switching capacity Max.: 50W/SPST
2. Switching voltage Max.: 240VAC/200VDC
3. Switching current Max.: 0.5A
4. Carry current Max.: 1A
5. Lead wire: PVC (UL1007 AWG22)
6. Max. pressure: ATM T
7. Operation temp.: -20~80 C
8. Material: P.P
9. Suitable S.G.: 0.78
10. Weight: 25 g



Drill hole 12.5mm

MODEL: RF-4502D

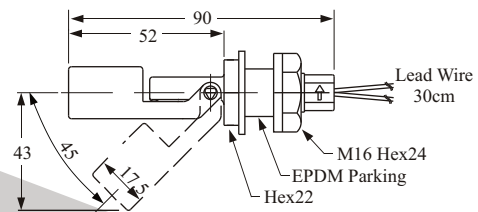
1. Switching capacity Max.: 50W/SPST
2. Switching voltage Max.: 240VAC/200VDC
3. Switching current Max.: 0.5A
4. Carry current Max.: 1A
5. Lead wire: XLPE (UL 3266 AWG22)
6. Reversible switch action: YES
7. Max. pressure: 12kg/cm²
8. Operation temp.: -10~120 C
9. Material: SUS 304
10. Suitable S.G.: 0.65
11. Weight: 170 g



Drill hole 17mm

MODEL: RF-OH21D

1. Switching capacity Max.: 50W/SPST
2. Switching voltage Max.: 240VAC/200VDC
3. Switching current Max.: 0.5A
4. Carry current Max.: 1A
5. Lead wire: XLPE (UL 3266 AWG22)
Polypropylene (Standard), nylon or PVDF are available.
9. Suitable S.G.: 0.75
10. Weight: 35 g

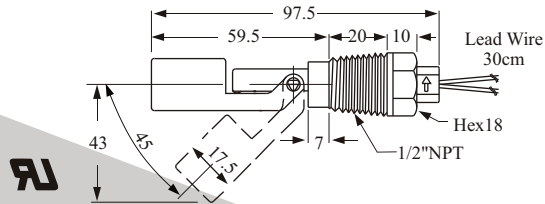


Drill hole 16mm

MINI FLOAT LEVEL SWITCH

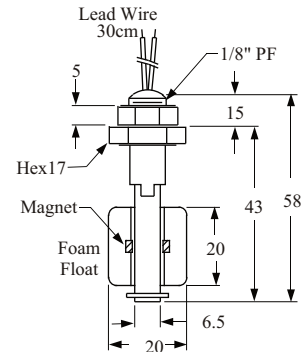
MODEL: RF-OH31D

1. Switching capacity Max.: 50W/SPST
2. Switching voltage Max.: 240VAC/200VDC
3. Switching current Max.: 0.5A
4. Carry current Max.: 1A
5. Lead wire: XLPE (UL 3266 AWG22)
6. Max. pressure: 4kg/cm²
7. Operation temp.: -20~80 C
8. Material: Polypropylene (Standard), nylon or PVDF are available.
9. Suitable S.G.: 0.75
10. Weight: 35 g



MODEL: RF-OV11F

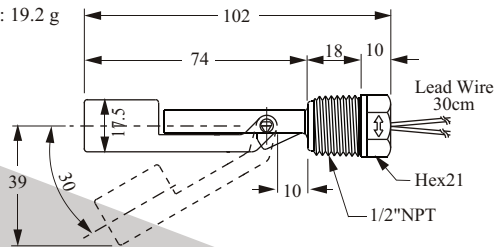
1. Switching capacity Max.: SPST 10W
2. Switching voltage Max.: 125VAC
3. Switching current Max.: 0.5A
4. Carry current Max.: 1A
5. Lead wire: PVC (UL1007 AWG22)
6. Reversible switch action: YES
7. Max. pressure: ATM
8. Operation temp.: -20~80 C
9. Material: P.P
10. Suitable S.G.: 0.8
11. Weight: 12 g



Drill hole 10mm

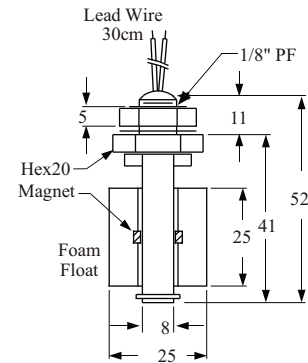
MODEL: RF-OH41D


1. Switching capacity Max.: 50W/SPST
2. Switching voltage Max.: 240VAC/200VDC
3. Switching current Max.: 0.5A
4. Carry current Max.: 1A
5. Lead wire: XLPE (UL 3266 AWG22)
6. Max. pressure: 4kg/cm²
7. Operation temp.: -20~80 C
8. Material: Polypropylene (Standard), nylon or polysulphone are available.
9. Suitable S.G.: 0.65
10. Weight: 19.2 g



MODEL: RF-OV21D

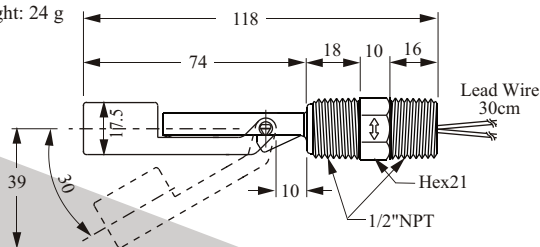
1. Switching capacity Max.: SPST 50W
2. Switching voltage Max.: 240VAC/200VDC
3. Switching current Max.: 0.5A
4. Carry current Max.: 1A
5. Lead wire: PVC (UL1007 AWG22)
6. Reversible switch action: YES
7. Max. pressure: ATM
8. Operation temp.: -20~80 C
9. Material: P.P
10. Suitable S.G.: 0.8
11. Weight: 18 g



 Drill hole 10mm

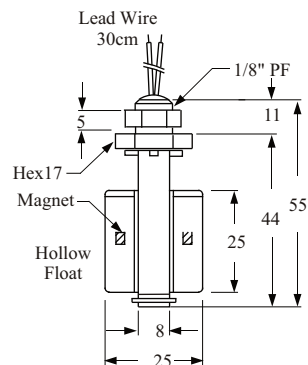
MODEL: RF-OH51D

1. Switching capacity Max.: 50W/SPST
2. Switching voltage Max.: 240VAC/200VDC
3. Switching current Max.: 0.5A
4. Carry current Max.: 1A
5. Lead wire: XLPE (UL 3266 AWG22)
6. Max. pressure: 4kg/cm²
7. Operation temp.: -20~80 C
8. Material: Polypropylene (Standard), nylon or PVDF are available.
9. Suitable S.G.: 0.65
10. Weight: 24 g



MODEL: RF-OV31D

1. Switching capacity Max.: SPST 50W
2. Switching voltage Max.: 240VAC/200VDC
3. Switching current Max.: 0.5A
4. Carry current Max.: 1A
5. Lead wire: PVC (UL1007 AWG22)
6. Reversible switch action: YES
7. Max. pressure: 4kg/cm²
8. Operation temp.: -20~80 C
9. Material: P.P
10. Suitable S.G.: 0.7
11. Weight: 15 g

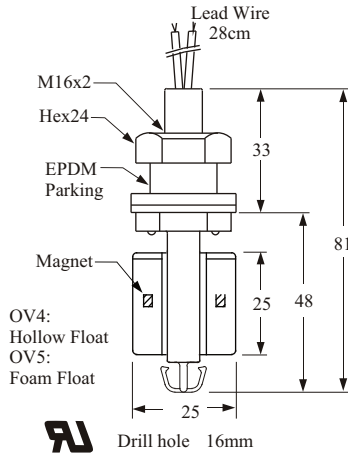


 Drill hole 10mm

MINI FLOAT LEVEL SWITCH

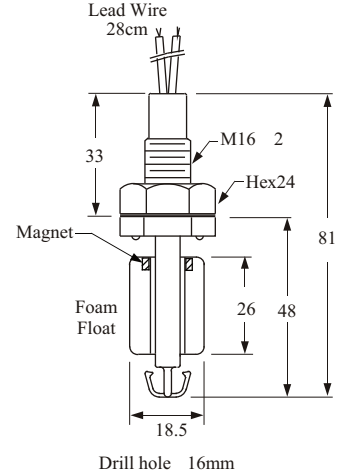
MODEL: RF-OV41D/OV51D

1. Switching capacity Max.: SPST 50W
2. Switching voltage Max.: 240VAC/200VDC
3. Switching current Max.: 0.5A
4. Carry current Max.: 1A
5. Lead wire: PVC (UL1007 AWG22)
6. Reversible switch action: YES
7. Max. pressure: OV4: 4kg/cm²
OV5: ATM
8. Operation temp.: -20~80 C
9. Material: P.P
10. Suitable S.G.: 0.7
11. Weight: 35 g



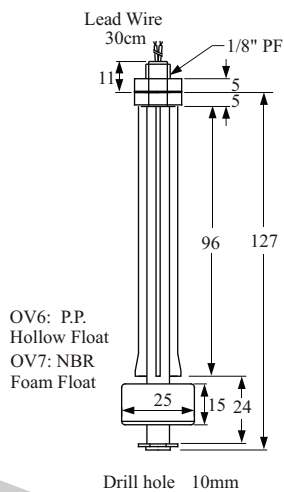
MODEL: RF-OV92D

1. Switching capacity Max.: 50W/SPST
2. Switching voltage Max.: 240VAC/200VDC
3. Switching current Max.: 0.5A
4. Carry current Max.: 1A
5. Lead wire: XLPE (UL 3266 AWG22)
6. Reversible switch action: YES
7. Max. pressure: ATM
8. Operation temp.: -20~100 C
9. Material: NBR
10. Suitable S.G.: 0.8



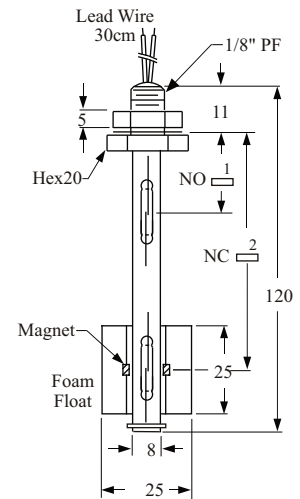
MODEL: RF-OV61F/OV72F

1. Switching capacity Max.: SPST 10W
2. Switching voltage Max.: 125VAC
3. Switching current Max.: 0.5A
4. Carry current Max.: 1A
5. Lead wire: PVC (UL1007 AWG22)
6. Reversible switch action: NO
7. Max. pressure: OV6: 4kg/cm²
OV7: ATM
8. Operation temp.: -20~80 C
9. Float Material: OV6=P.P Hollow
OV7=NBR Solid
10. Suitable S.G.: 0.8
11. Weight: 18 g



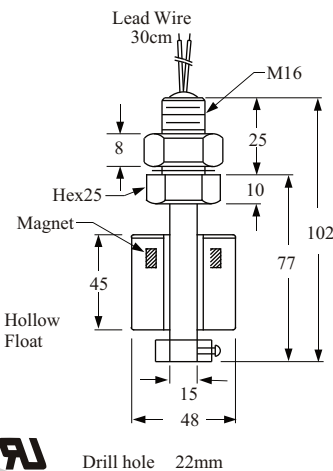
MODEL: RF-PV2

1. Switching capacity Max.: 50W/SPST
2. Switching voltage Max.: 240VAC/200VDC
3. Switching current Max.: 0.5A
4. Carry current Max.: 1A
5. Lead wire: PVC (UL 1007 AWG22)
6. Reversible switch action: NO
7. Max. pressure: 4kg/cm²
8. Operation temp.: -10~80 C
9. Material: P.P
10. Suitable S.G.: 0.8



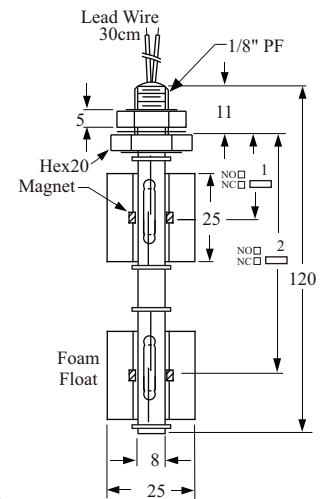
MODEL: RF-OV81D

1. Switching capacity Max.: SPDT 50W
2. Switching voltage Max.: 240VAC/200VDC
3. Switching current Max.: 0.5A
4. Carry current Max.: 1A
5. Lead wire: PVC (UL1007 AWG22)
6. Reversible switch action: NO
7. Max. pressure: 4kg/cm²
8. Operation temp.: -20~80 C
9. Material: P.P
10. Suitable S.G.: 0.6
11. Weight: 180 g

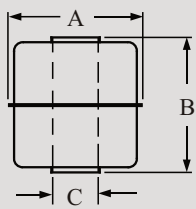
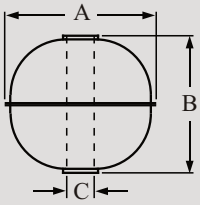
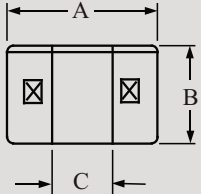
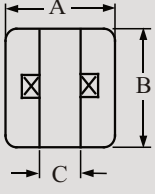
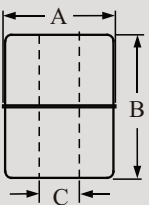


MODEL: RF-PV3

1. Switching capacity Max.: 50W/SPST
2. Switching voltage Max.: 240VAC/200VDC
3. Switching current Max.: 0.5A
4. Carry current Max.: 1A
5. Lead wire: PVC (UL 1007 AWG22)
6. Reversible switch action: NO
7. Max. pressure: 4kg/cm²
8. Operation temp.: -10~80 C
9. Material: P.P
10. Suitable S.G.: 0.8



FLOAT SPECIFICATIONS

MODEL	TYPE	AxBx C	S.G.	Max. Pressure (kg/cm ²)	Weight (g)	Material/Color	Max. Temp. (C)
	S1	28 28 9.5	E>0.8	10	8	SUS 316	200
	S3	45 55 15	E>0.65	12	36	SUS 304 or 316	200
	S6	75 108 19	E>0.5	10	145	SUS 304	200
	S2	41 38 11	E>0.7	45	19	SUS 316	200
	S4	52 52 15	E>0.55	30	33	SUS 316	200
	S5	75 73 19	E>0.55	30	103	SUS 304	200
	S7	30 28 9.5	E>0.68	30	7	SUS 316	200
 <p>(Hollow)</p>	P1	25 15 10	E>0.8	4	4	PP / white black	80
	P2	25 25 10	E>0.7	4	5	PP / white black	80
	P3	48 45 18.5	E>0.6	4	37	PP / black	80
	P4	20 25 10	E>0.8	4	5	PP/black	80
	P5	20 20 8.1	E>0.8	4	4	PP / black	80
 <p>(Foam)</p>	P6	20 20 7.5	E>0.8	ATM	3.5	PP / white	80
	P7	25 25 10	E>0.8	ATM	6.5	PP / white	80
	N1	25 15 10	E>0.8	ATM	4.5	NBR / black	100
	N2	18.5 26 10	E>0.8	ATM	2.6	NBR / black	100
	N3	19 20 10	E>0.8	ATM	2.4	NBR / black	100
	N4	17.5 25 10	E>0.8	ATM	2.4	NBR / black	100
 <p>(Hollow)</p>	F1	55 70 22	E>0.9	3	100	PVDF	120
	F2	42 44 14	E>0.8	3	20	PP	80
	F3	45 45 20	E>0.5	3	25	PVDF	120

MAGNETIC FLOAT LEVEL SWITCH

HOW TO SELECT MOUNTING FLANGE OR SCREW

When you order a product, the minimum flange or screw should be specified by according to the table below.

Float type	Material	Float size	Minimum screw size	Minimum flange size	
				SCH40S	SCH80S
P1	P.P.	25 15	1"PF or 1"PT	1" 5K, 10K	1 1/4" 5K, 10K
P2	P.P.	25 25	1"PF or 1"PT	1" 5K, 10K	1 1/4" 5K, 10K
P3	P.P.	48 45	2"PF or 2"PT	2" 5K, 10K	2" 5K, 10K
F1	PVDF	55 70	2 1/2"PF or 2 1/2"PT	2 1/2" 5K, 10K	2 1/2" 5K, 10K
F2	P.P.	44 44	1 1/2"PF or 1 1/2"PT	2" 5K, 10K	2" 5K, 10K
S1	SUS	28 28	1"PF or 1"PT	1 1/4" 5K, 10K	1 1/4" 5K, 10K
S2	SUS	41 38	1 1/2"PF or 1 1/2"PT	1 1/2" 5K, 10K	2" 5K, 10K
S3	SUS	45 55	2"PF or 2"PT	2" 5K, 10K	2" 5K, 10K
S4	SUS	52 52	2"PF or 2"PT	2" 5K, 10K	2 1/2" 5K, 10K
S5	SUS	75 73	3"PF or 3"PT	3" 5K, 10K	3 1/2" 5K, 10K
S6	SUS	75 108	3"PF or 3"PT	3" 5K, 10K	3 1/2" 5K, 10K

TERMINAL BOX SPECIFICATION

B

Material : Aluminum
Enclosure : IP65
Poles : 2~12
Max.Temp.: -20 C ~120 C(max. 200 C)

C

Material : PP+FIBER
Enclosure : IP65
Poles : 2~12
Max.Temp. : -20 C ~80 C

E

Material : Aluminum
Enclosure : IP65
Poles : 2~6
Max.Temp. : -20 C ~120 C(max. 200 C)

G

Material : PC
Enclosure : IP65
Poles : 2~6
Max.Temp. : -20 C ~80 C

J Explosion-proof

Material : SUS304
Enclosure : Ex d IIB T4
Poles : 2~6
Max.Temp. : -20 C ~120 C(max. 200 C)

K Explosion-proof

Material : Aluminum
Enclosure : EEx d IIC T6
Poles : 2~6
Max.Temp. : -20 C ~120 C(max. 200 C)

MAGNETIC FLOAT LEVEL SWITCH

HOW TO MAKE YOUR ORDER

RF-□-□□-□-□□□-□-□□□□□

Length: mm (total)

Quantity of float

Float Type

Type	Material	Ball dia.	Tube dia.
P1	PP	25x15	10
P2	PP	25x25	10
P3	PP	48x45	18.5
F1	PVDF	55x70	22
F2	PP	42x44	14
S1	SUS	28x28	9.5
S2	SUS	41x38	11
S3	SUS	45x55	15
S4	SUS	52x52	15
S5	SUS	75x73	19
S6	SUS	75x108	19

Stem

Code	size	Material
1:	8	SUS304 or SUS316
2:	8	PVC
3:	9.5	SUS304 or SUS316
4:	12.7	SUS304 or SUS316
5:	17.2	PP
6:	16	PVDF
7:	17.2	SUS304

Connection Type

Housing Type

- B: AL. (Big space) IP65
- C: PP (Anti-acidity) IP65
- E: AL. (Small space) IP65
- G: PC (Anti-acidity) IP65
- J : SUS304 (Explosion-proof)
Ex d IIB T4
- K: AL. (Explosion-proof)
EEx d IIC T6
- : Without housing

Size for flange or screw

A: 3/8" (10A)	I: 4"(100A)
B: 1/2" (15A)	J: 5"(125A)
C: 3/4" (20A)	K: 6"(150A)
D: 1" (25A)	S: Others
E: 1-1/2"(40A)	1: 1/8"
F: 2" (50A)	2: 1/4"
G: 2-1/2"(65A)	3: 1-1/4"(32A)
H: 3" (80A)	

Pressure range or other

- M: 5kg/cm² JIS
- N: 10kg/cm² JIS
- O: 150Lbs ANSI
- P: 300Lbs ANSI
- Q: PT
- R: PF
- T: BSP (DIN)
- S: Others
- W:PN10(10Bar)
- X: PN16 (16Bar)
- Y: PN25 (25Bar)
- Z: PN40 (40Bar)
- J :Adjustment screw
- K:Adjustment flange

MAGNETIC FLOAT LEVEL SWITCH

The magnetic level switch can be done as per customer's specified technical data such as the flange, thread, housing, float ball diameter, float ball number, the float traveling up or down actuated position by N.C. or N.O. output, the total float working distance (L) or

Example: RF-B-HM-7-S6-3-0405

It is requested the minimum interval for a single ball driving dual actuated positions (D) or neighboring two balls (B), or from the bottom to the lowest ball interval (C) or from the mounting position to the first ball (A), otherwise, there will be some magnetic mutually interference involved by insufficient interval. To ensure the defined distance, please see the data below:

FLOAT TYPE	S1	S2	S3	S4	S5	S6	P2	P3	F1
A(mm)	25	32	40	39	50	70	27	50	50
B(mm)	50	64	82	78	99	136	55	85	99
C(mm)	25	32	40	39	50	70	27	43	50
D(mm)	30	40	55	50	65	70	30	45	65

E (mm)	SCREW
14	1/2"PT
16	3/4"PT
19	1"PT
19	1-1/4"PT
22	1-1/2"PT
25	2"PT
28	2-1/2"PT
37	3"PT

each independent float actuating position, please refer the order information to define the application specifications. A single ball driving dual actuated points or multiple balls driving multiple actuated points is available to apply on the order form.

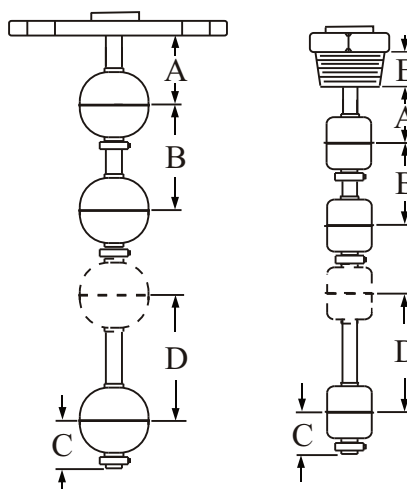
A = Minimum distance from the mounting position to the highest actuation level.

B = Minimum distance between any two actuation levels.

C = Minimum distance from end of unit to the lowest level.

D = Minimum distance between two actuation levels by one float.

E = Screw length



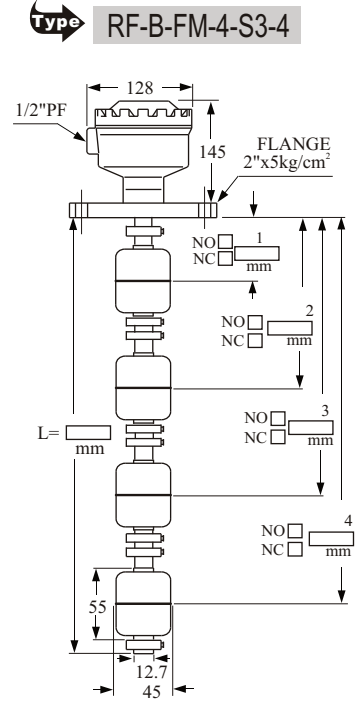
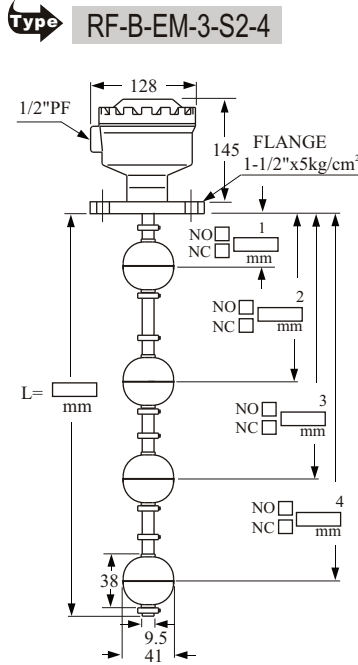
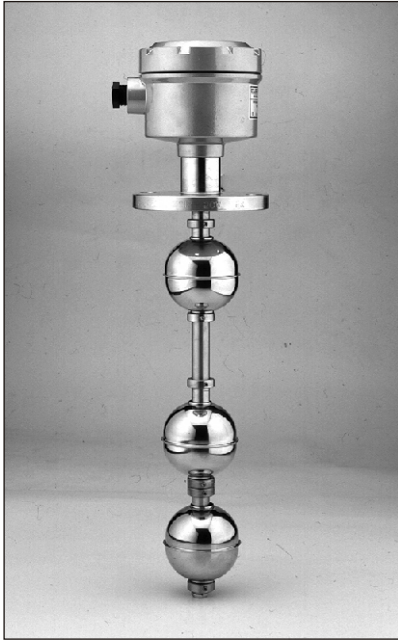
APPLICATION FIELDS OF FLOAT

environments Float	Working Temp.	Pressure Rating	Acid	Alkaline	Oil	Solvent
SUS304	- 20 C ~120 C (200 C Max.)	10 ~ 30kg/cm ²	×	△	◎	◎
SUS316	- 20 C ~120 C (200 C Max.)	10 ~ 30kg/cm ²	△	○	◎	◎
Polypropylene	- 20 C ~80 C	4kg/cm ²	○	○	○	×
PVDF	- 20 C ~120 C	3kg/cm ²	◎	◎	○	○
NBR	- 20 C ~100 C	ATM	×	×	◎	×

Note: ◎ = excellent ○ = good △ = acceptable × = not good

STANDARD FLANGE TYPE

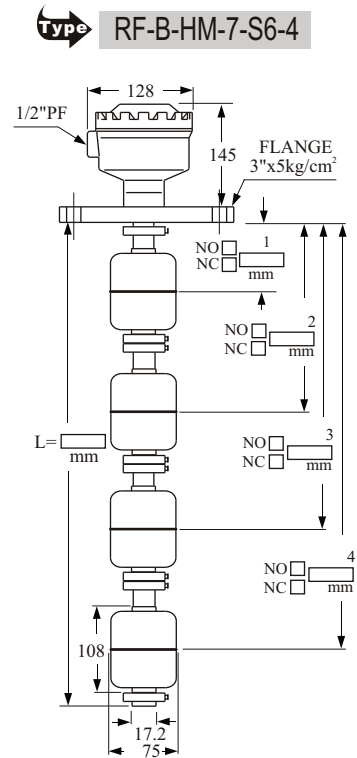
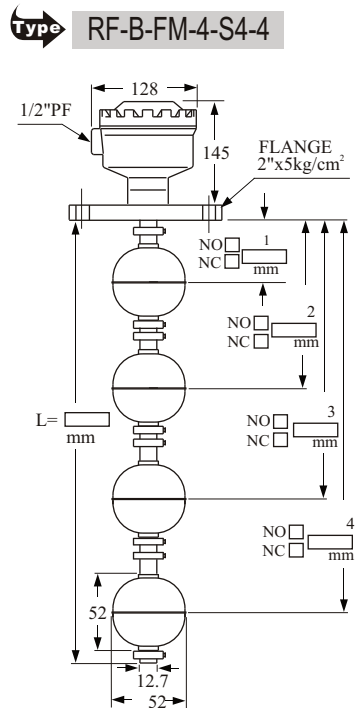
The housing complies with the IP65 rating and can therefore be used in outdoor environment.



Order information

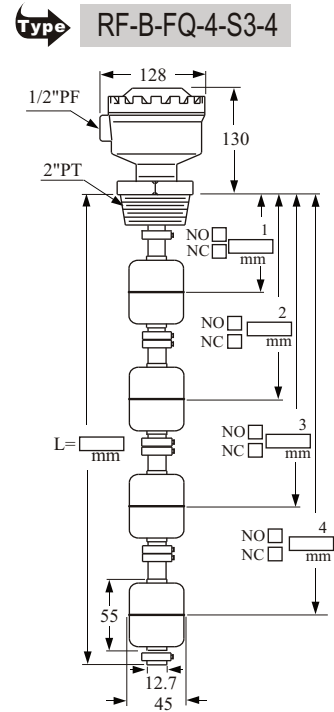
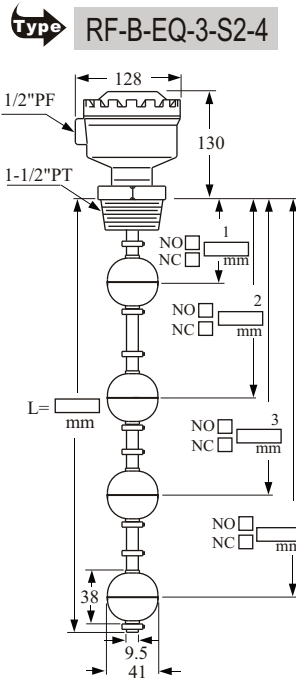
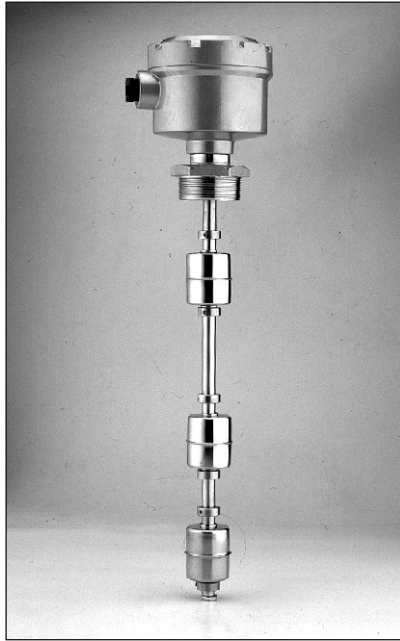
Type Housing Type
RF - B - HM - 7 - S6 - 4

Connection Flanges	Pipe Diameter	Float Type	Float Quantity
EM=1-1/2" 5kg/cm ²	3= 9.5	S2= 41x38	1~4
FM=2" 5kg/cm ²	4= 12.7	S3= 45x55	1~4
FM=2" 5kg/cm ²	4= 12.7	S4= 52x52	1~4
HM=3" 5kg/cm ²	7= 17.2	S6= 75x108	1~4



STANDARD SCREW TYPE

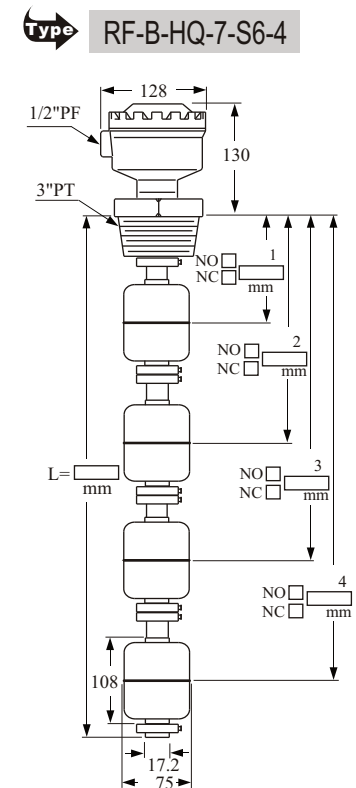
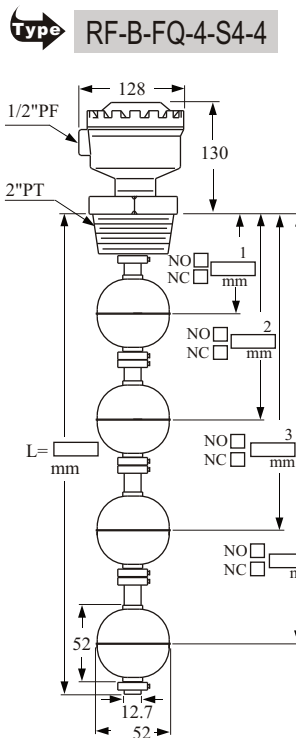
The housing complies with the IP65 rating and can therefore be used in outdoor environment.



Order information

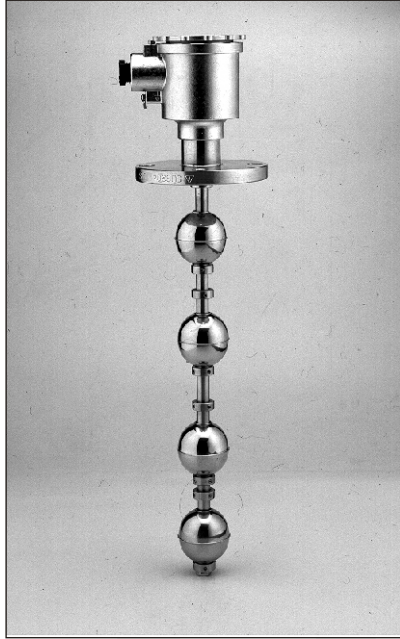
Type Housing Type
RF - B - HQ - 7 - S6 - 4

Connection Flanges	Pipe Diameter	Float Type	Float Quantity
EQ=1-1/2" PT	3= 9.5	S2= 41x38	1~4
FQ=2" PT	4= 12.7	S3= 45x55	1~4
FQ=2" PT	4= 12.7	S4= 52x52	1~4
HQ=3" PT	7= 17.2	S6= 75x108	1~4

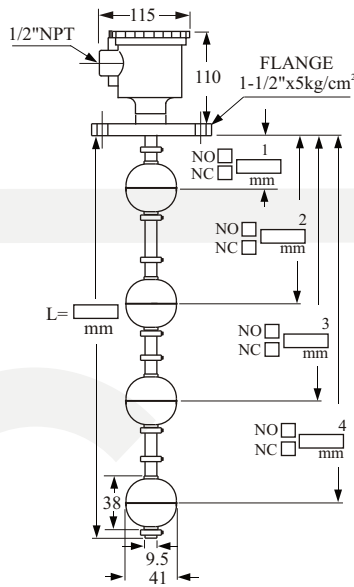


EXPLOSION-PROOF FLANGE TYPE

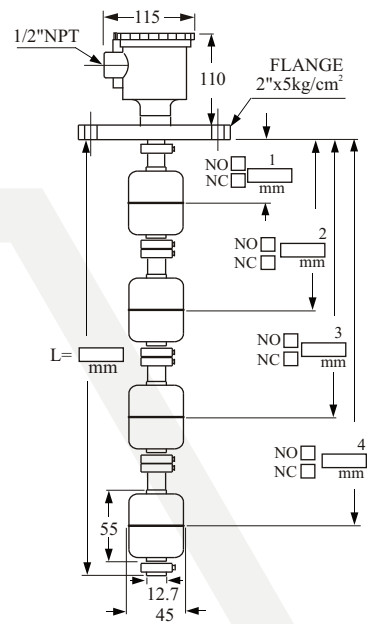
The housing complies with the Ex d IIB T4 approval and can therefore be used in hazardous gases conditions.



Type RF-J-EM-3-S2-4



Type RF-J-FM-4-S3-4



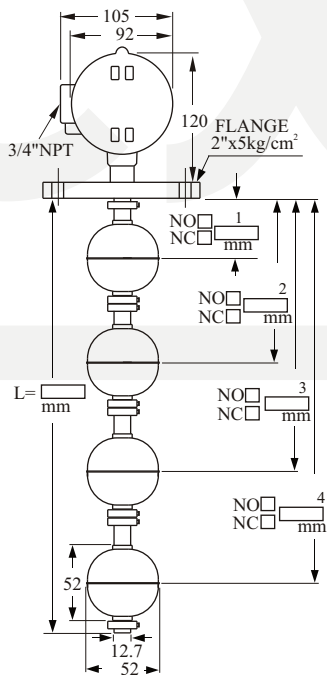
Order information

Type Housing Type (T, K Type)

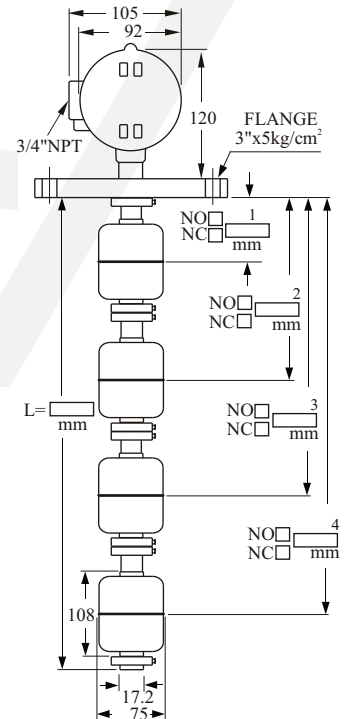
RF - J - HM - 7 - S6 - 4

Connection Flanges	Pipe Diameter	Float Type	Float Quantity
EM=1-1/2" 5kg/cm ²	3= 9.5	S2= 41x38	1~4
FM=2" 5kg/cm ²	4= 12.7	S3= 45x55	1~4
FM=2" 5kg/cm ²	4= 12.7	S4= 52x52	1~4
HM=3" 5kg/cm ²	7= 17.2	S6= 75x108	1~4

Type RF-K-FM-4-S4-4



Type RF-K-HM-7-S6-4

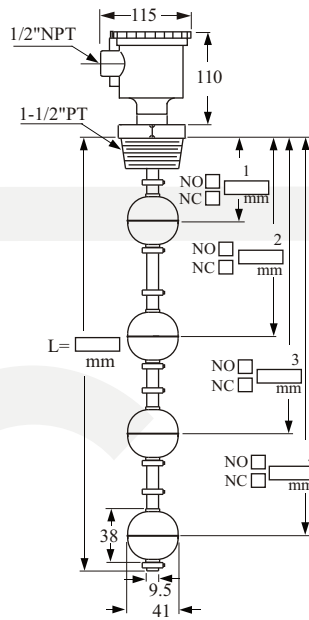


EXPLOSION-PROOF SCREW TYPE

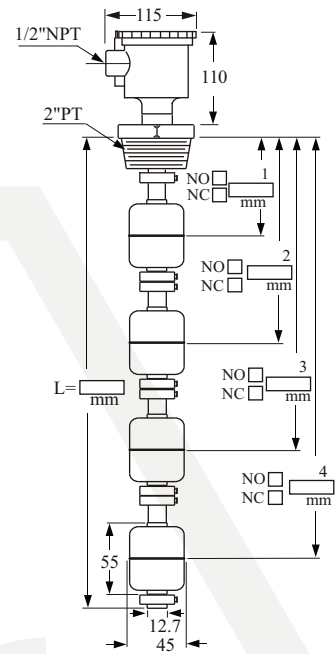
The housing complies with the Ex d IIB T4 approval and can therefore be used in hazardous gases conditions.



Type RF-J-EQ-3-S2-4



Type RF-J-FQ-4-S3-4

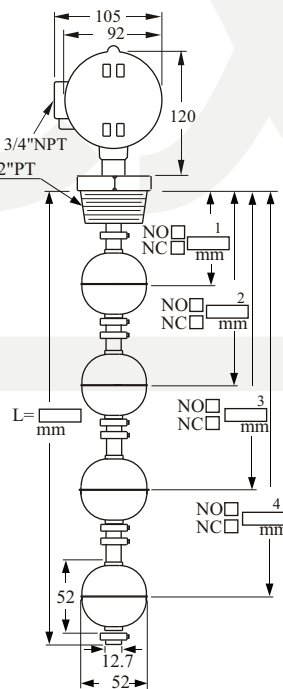


Order information

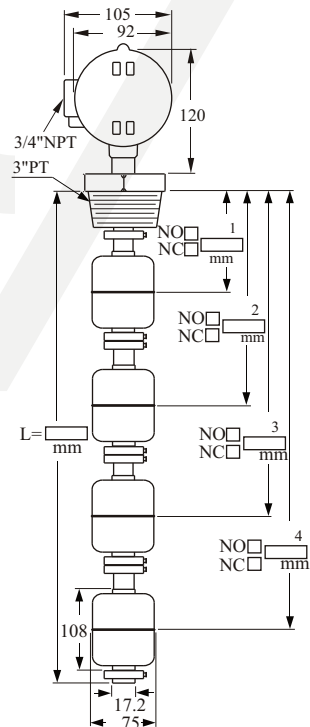
Type Housing Type (T, K Type)
RF - J - HQ - 7 - S6 - 4

Conneqon Flanges	Pipe Diameter	Float Type	Float Quantity
EQ=1-1/2" PT	3= 9.5	S2= 41x38	1~ 4
FQ=2" PT	4= 12.7	S3= 45x55	1~ 4
FQ=2" PT	4= 12.7	S4= 52x52	1~ 4
HQ=3" PT	7= 17.2	S6= 75x108	1~ 4

Type RF-K-FQ-4-S4-4

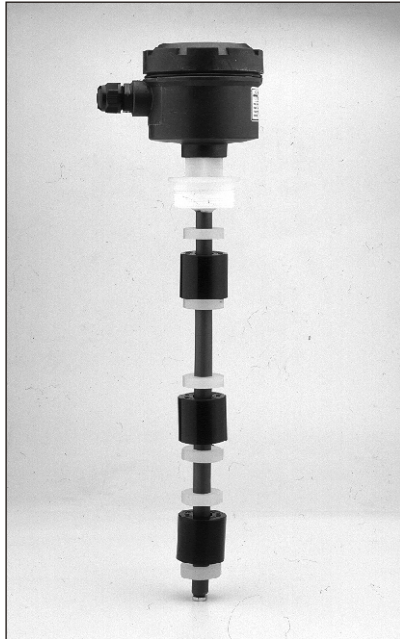


Type RF-K-HQ-7-S6-4

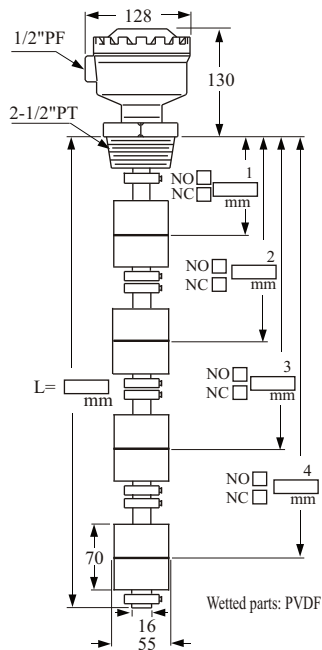


ANTI-CORROSION SCREW TYPE FLANGE TYPE

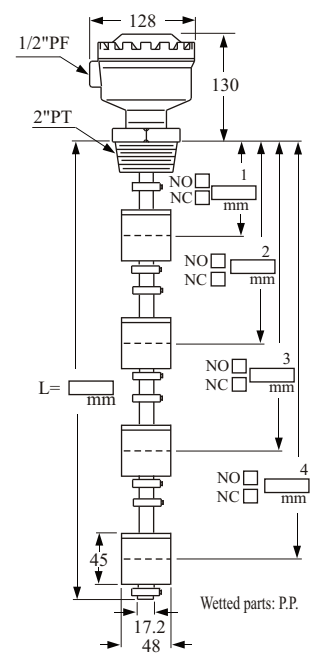
Housing material apply by PP, wet portion material options in PP, PVDF, specially applicable for chemical applications against corrosive environments.



Type RF-C-GQ-6-F1-4



Type RF-C-FQ-5-P3-4

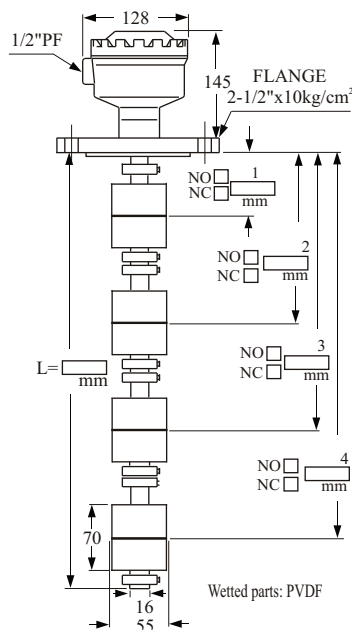


Order information

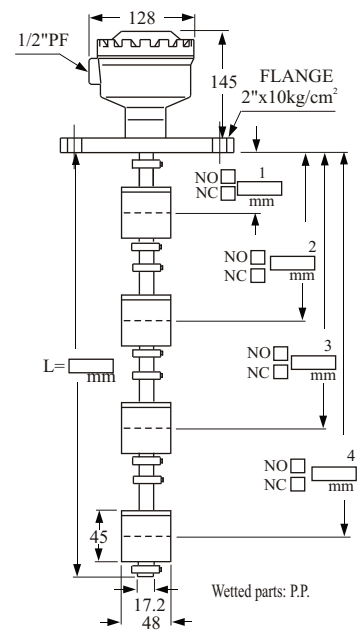
Type Housing Type
RF - C - FQ - 6 - F1 - 4

Connection Flanges	Pipe Diameter	Float Type	Float Quantity
GQ=2-1/2" PT	6= 16	F1=PVDF 55x70	1~ 4
FQ=2" PT	5= 17.2	P3=PP 48x45	1~ 4
GN=2-1/2" 10kg/cm ²	6= 16	F1=PVDF 55x70	1~ 4
FN=2" 10kg/cm ²	5= 17.2	P3=PP 48x45	1~ 4

Type RF-C-GN-6-F1-4

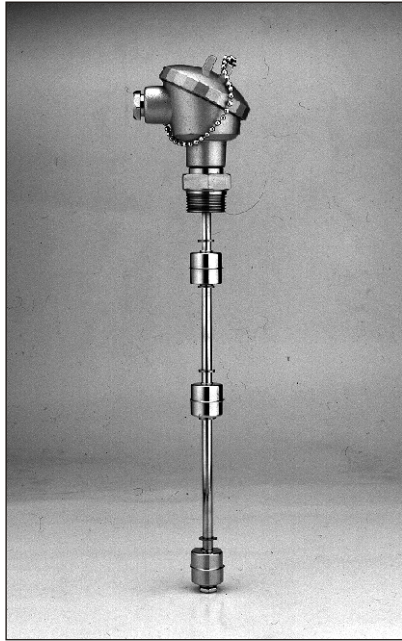


Type RF-C-FN-5-P3-4

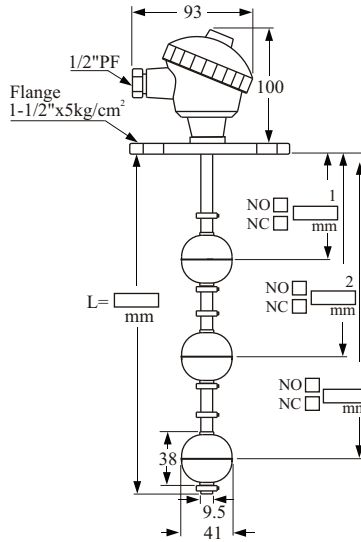


**PORTABILITY SCREW TYPE
FLANGE TYPE**

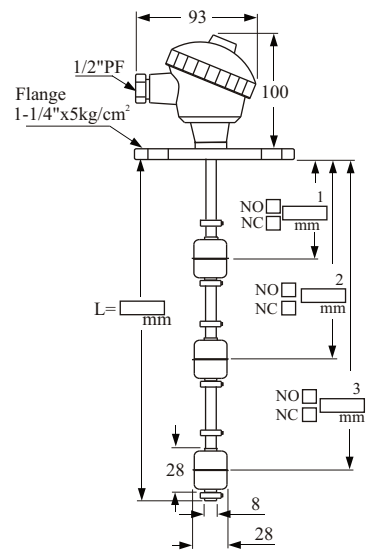
The housing complies with the IP65 rating and can therefore be used in outdoor environment.



TYPE RF-E-EM-3-S2-3



TYPE RF-E-3M-1-S1-3

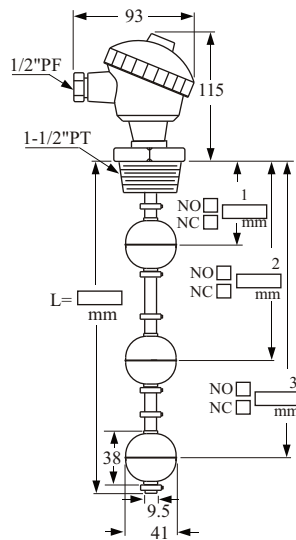


Order information

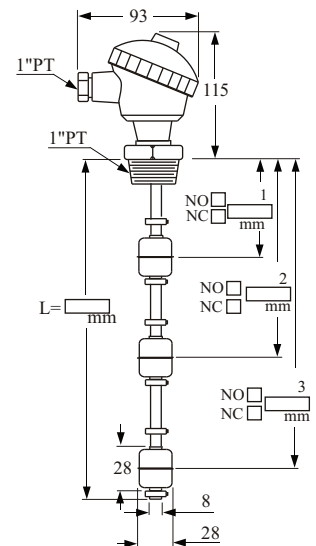
Type Housing Type
RF - E - 3Q - 1 - S1 - 3

Connection Flanges	Pipe Diameter	Float Type	Float Quantity
EM=1-1/2" 5kg/cm ²	3= 9.5	S2= 41x38	1~ 3
3M=1-1/4" 5kg/cm ²	1= 8	S1= 28x28	1~ 3
EQ=1-1/2" PT	3= 9.5	S2= 41x38	1~ 3
DQ=1"PT	1= 8	S1= 28x28	1~ 3

TYPE RF-E-EQ-3-S2-3



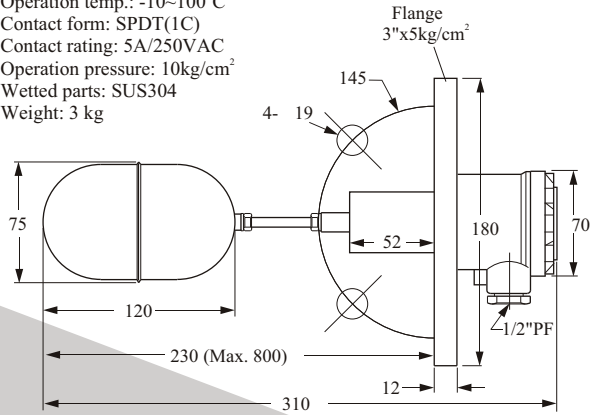
TYPE RF-E-DQ-1-S1-3



SIDE MOUNTING FLOAT LEVEL SWITCH

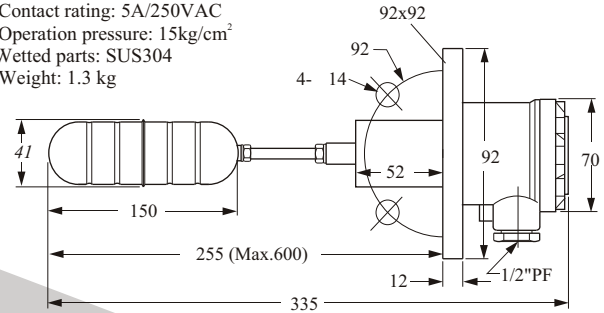
MODEL: LF10BHM Light Specific Gravity

1. Housing material: Aluminum (IP65)
2. Suitable S.G.: 0.25
3. Operation temp.: -10~100 C
4. Contact form: SPDT(1C)
5. Contact rating: 5A/250VAC
6. Operation pressure: 10kg/cm²
7. Wetted parts: SUS304
8. Weight: 3 kg



MODEL: LF10CLO Square Flange 92x92

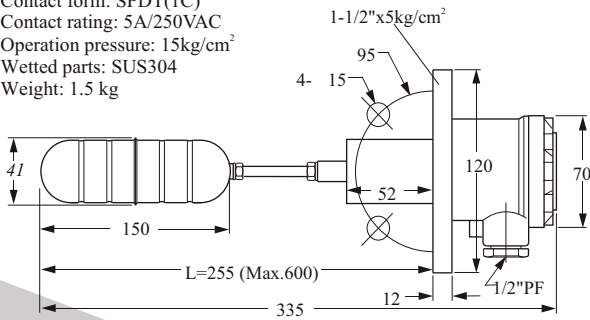
1. Housing material: Aluminum (IP65)
2. Suitable S.G.: 0.65
3. Operation temp.: -10~100 C
4. Contact form: SPDT(1C)
5. Contact rating: 5A/250VAC
6. Operation pressure: 15kg/cm²
7. Wetted parts: SUS304
8. Weight: 1.3 kg



GL CR ABS

MODEL: LF10CEM Standard

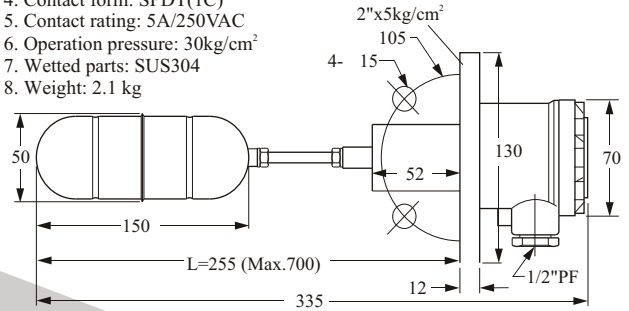
1. Housing material: Aluminum (IP65)
2. Suitable S.G.: 0.65
3. Operation temp.: -10~100 C
4. Contact form: SPDT(1C)
5. Contact rating: 5A/250VAC
6. Operation pressure: 15kg/cm²
7. Wetted parts: SUS304
8. Weight: 1.5 kg



GL CR ABS

MODEL: LF10DFM Standard

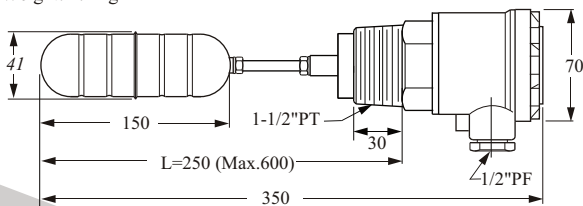
1. Housing material: Aluminum (IP65)
2. Suitable S.G.: 0.55
3. Operation temp.: -10~100 C
4. Contact form: SPDT(1C)
5. Contact rating: 5A/250VAC
6. Operation pressure: 30kg/cm²
7. Wetted parts: SUS304
8. Weight: 2.1 kg



GL CR ABS

MODEL: LF10CEQ Standard Screw

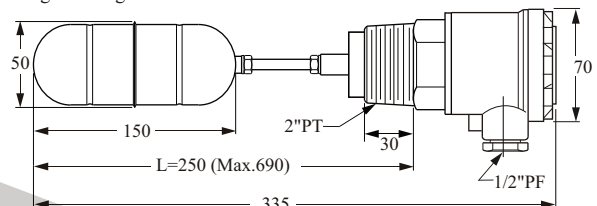
1. Housing material: Aluminum (IP65)
2. Suitable S.G.: 0.65
3. Operation temp.: -10~100 C
4. Contact form: SPDT(1C)
5. Contact rating: 5A/250VAC
6. Operation pressure: 15kg/cm²
7. Wetted parts: SUS304
8. Weight: 1.1 kg



GL CR ABS

MODEL: LF10DFQ Standard Screw

1. Housing material: Aluminum (IP65)
2. Suitable S.G.: 0.55
3. Operation temp.: -10~100 C
4. Contact form: SPDT(1C)
5. Contact rating: 5A/250VAC
6. Operation pressure: 30kg/cm²
7. Wetted parts: SUS304
8. Weight: 1.6 kg



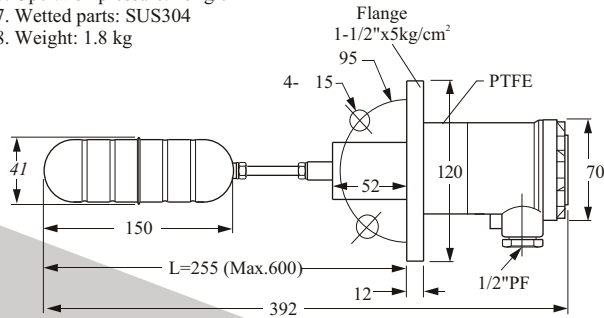
GL CR ABS

SIDE MOUNTING FLOAT LEVEL SWITCH

MODEL: LF20CEM

High Temperature

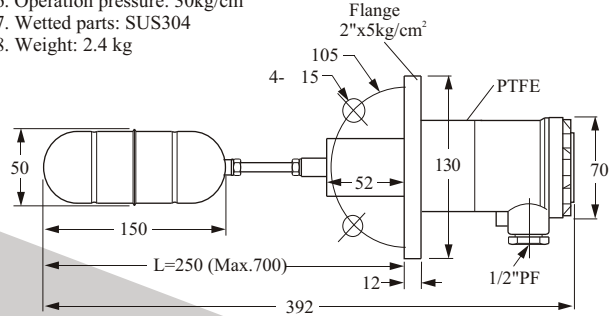
1. Housing material: Aluminum (IP65)
2. Suitable S.G.: 0.65
3. Operation temp.: -25~200 C
4. Contact form: SPDT(1C)
5. Contact rating: 30W/200VDC
6. Operation pressure: 15kg/cm²
7. Wetted parts: SUS304
8. Weight: 1.8 kg



MODEL: LF20DFM

High Temperature

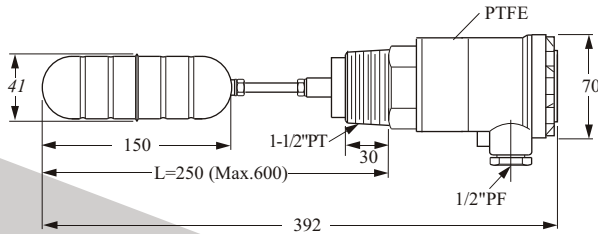
1. Housing material: Aluminum (IP65)
2. Suitable S.G.: 0.55
3. Operation temp.: -25~200 C
4. Contact form: SPDT(1C)
5. Contact rating: 30W/200VDC
6. Operation pressure: 30kg/cm²
7. Wetted parts: SUS304
8. Weight: 2.4 kg



MODEL: LF20CEQ

High Temperature

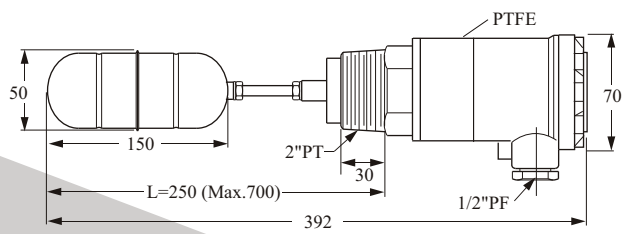
1. Housing material: Aluminum (IP65)
2. Suitable S.G.: 0.65
3. Operation temp.: -25~200 C
4. Contact form: SPDT(1C)
5. Contact rating: 30W/200VDC
6. Operation pressure: 15kg/cm²
7. Wetted parts: SUS304
8. Weight: 1.4 kg



MODEL: LF20DFQ

High Temperature

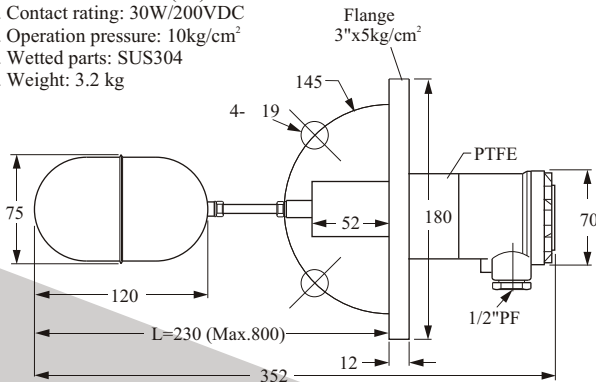
1. Housing material: Aluminum (IP65)
2. Suitable S.G.: 0.55
3. Operation temp.: -25~200 C
4. Contact form: SPDT(1C)
5. Contact rating: 30W/200VDC
6. Operation pressure: 30kg/cm²
7. Wetted parts: SUS304
8. Weight: 1.9 kg



MODEL: LF20BHM

Light Specific Gravity
High Temp.

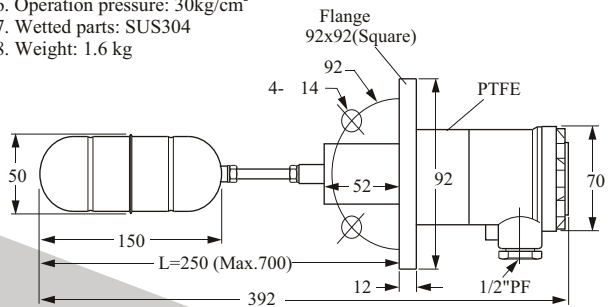
1. Housing material: Aluminum (IP65)
2. Suitable S.G.: 0.25
3. Operation temp.: -25~200 C
4. Contact form: SPDT(1C)
5. Contact rating: 30W/200VDC
6. Operation pressure: 10kg/cm²
7. Wetted parts: SUS304
8. Weight: 3.2 kg



MODEL: LF20DLO

Square Flange 92x92

1. Housing material: Aluminum (IP65)
2. Suitable S.G.: 0.55
3. Operation temp.: -25~200 C
4. Contact form: SPDT(1C)
5. Contact rating: 30W/200VDC
6. Operation pressure: 30kg/cm²
7. Wetted parts: SUS304
8. Weight: 1.6 kg

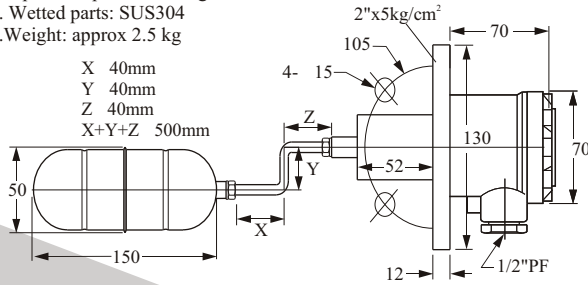


SIDE MOUNTING FLOAT LEVEL SWITCH

MODEL: LF40DFM

Double Angle
Standard

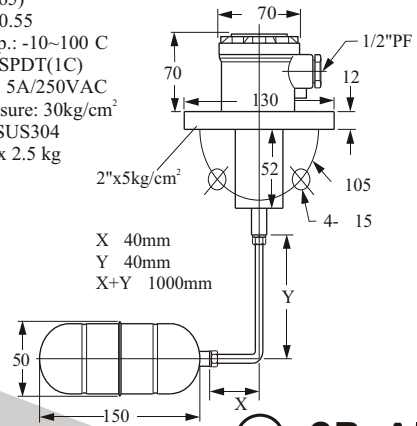
1. Housing material: Aluminum (IP65)
2. Suitable S.G.: 0.55
3. Operation temp.: -10~100 C
4. Contact form: SPDT(1C)
5. Contact rating: 5A/250VAC
6. Operation pressure: 30kg/cm²
7. Wetted parts: SUS304
8. Weight: approx 2.5 kg



MODEL: LF50DFM

Vertical
Standard

1. Housing material: Aluminum (IP65)
2. Suitable S.G.: 0.55
3. Operation temp.: -10~100 C
4. Contact form: SPDT(1C)
5. Contact rating: 5A/250VAC
6. Operation pressure: 30kg/cm²
7. Wetted parts: SUS304
8. Weight: approx 2.5 kg

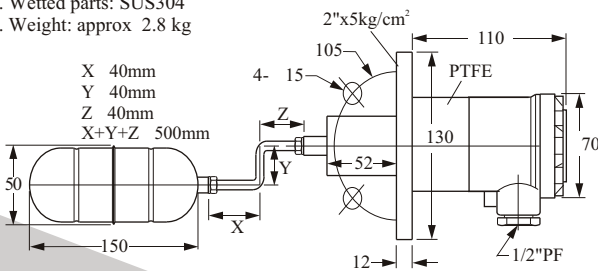


Ⓞ CR ABS

MODEL: LF45DFM

Double Angle
High Temp.

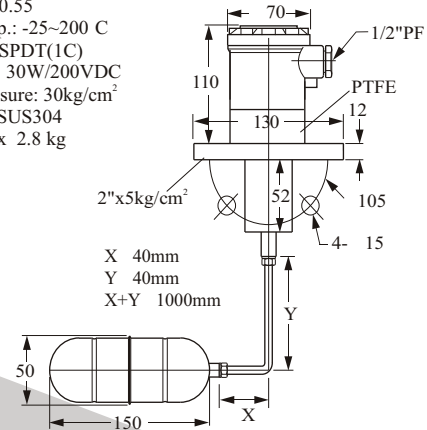
1. Housing material: Aluminum (IP65)
2. Suitable S.G.: 0.55
3. Operation temp.: -25~200 C
4. Contact form: SPDT(1C)
5. Contact rating: 30W/200VDC
6. Operation pressure: 30kg/cm²
7. Wetted parts: SUS304
8. Weight: approx 2.8 kg



MODEL: LF55DFM

Vertical
High Temp.

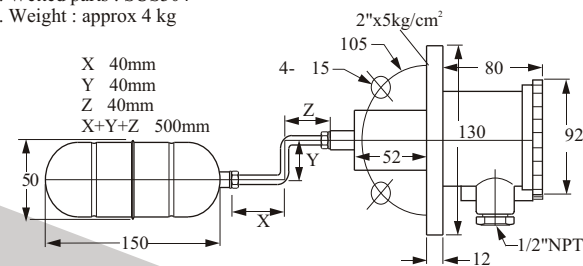
1. Housing material: Aluminum (IP65)
2. Suitable S.G.: 0.55
3. Operation temp.: -25~200 C
4. Contact form: SPDT(1C)
5. Contact rating: 30W/200VDC
6. Operation pressure: 30kg/cm²
7. Wetted parts: SUS304
8. Weight: approx 2.8 kg



MODEL: LF49DFM

Double Angle
Explosion Proof

1. Housing material: SUS304 (Ex d IIB T4)
2. Suitable S.G.: 0.55
3. Operation temp.: -10~100 C
4. Contact form: SPDT(1C)
5. Contact rating: 5A/250VAC
6. Operation pressure: 30kg/cm²
7. Wetted parts : SUS304
8. Weight : approx 4 kg

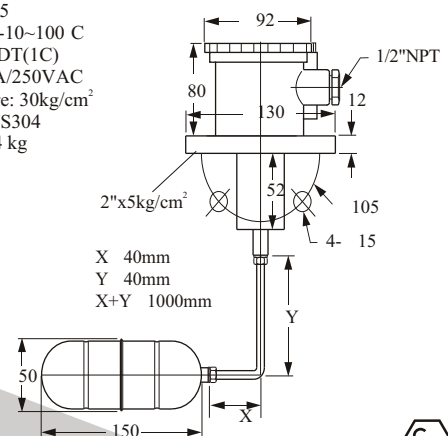


Ⓞ Ex

MODEL: LF59DFM

Vertical
Explosion Proof

1. Housing material: SUS304 (Ex d IIB T4)
2. Suitable S.G.: 0.55
3. Operation temp.: -10~100 C
4. Contact form: SPDT(1C)
5. Contact rating: 5A/250VAC
6. Operation pressure: 30kg/cm²
7. Wetted parts : SUS304
8. Weight : approx 4 kg



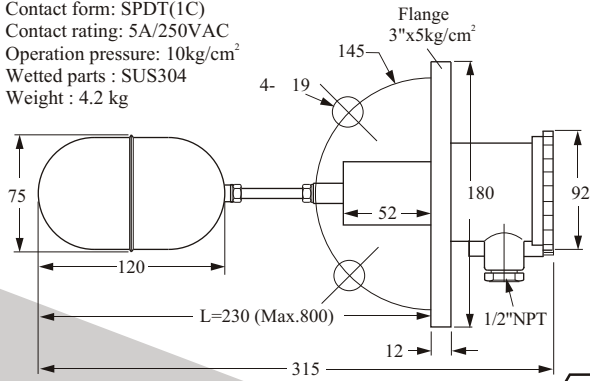
Ⓞ Ex

SIDE MOUNTING FLOAT LEVEL SWITCH

MODEL: LF70BHM

Light Specific Gravity
Explosion Proof

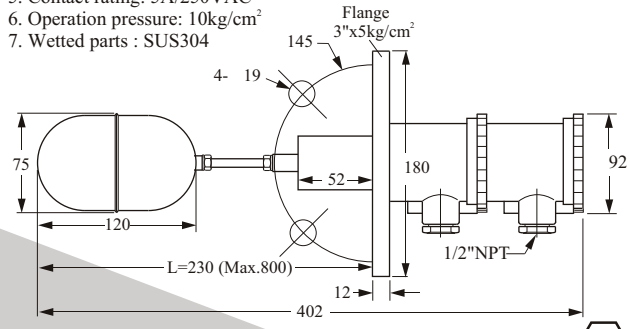
1. Housing material: Stainless Steel (Ex d IIB T4)
2. Suitable S.G.: 0.25
3. Operation temp.: -10~100 C
4. Contact form: SPDT(1C)
5. Contact rating: 5A/250VAC
6. Operation pressure: 10kg/cm²
7. Wetted parts : SUS304
8. Weight : 4.2 kg



MODEL: LF71BHM

Explosion Proof

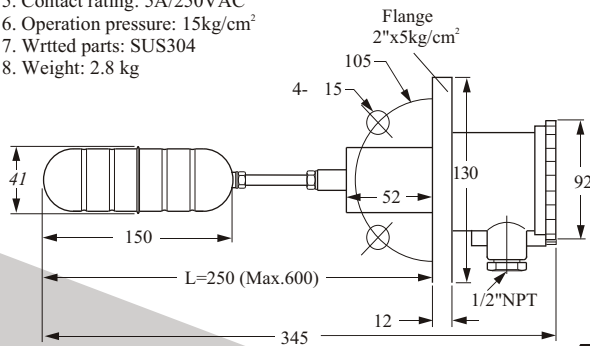
1. Housing material: Stainless Steel (Ex d IIB T4)
2. Suitable S.G.: 0.25
3. Operation temp.: -10~100 C
4. Contact form: SPDT(1C)
5. Contact rating: 5A/250VAC
6. Operation pressure: 10kg/cm²
7. Wetted parts : SUS304



MODEL: LF70CFM

Explosion Proof

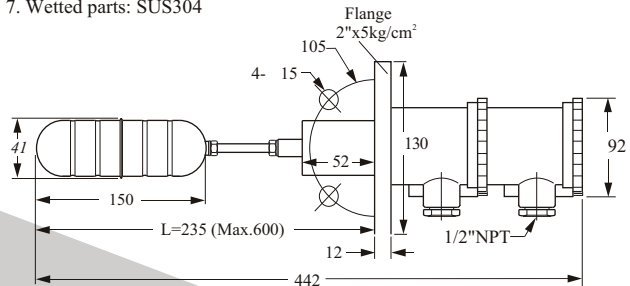
1. Housing material: Stainless Steel (Ex d IIB T4)
2. Suitable S.G.: 0.65
3. Operation temp.: -10~100 C
4. Contact form: SPDT(1C)
5. Contact rating: 5A/250VAC
6. Operation pressure: 15kg/cm²
7. Wrtted parts: SUS304
8. Weight: 2.8 kg



MODEL: LF71CFM

Explosion Proof

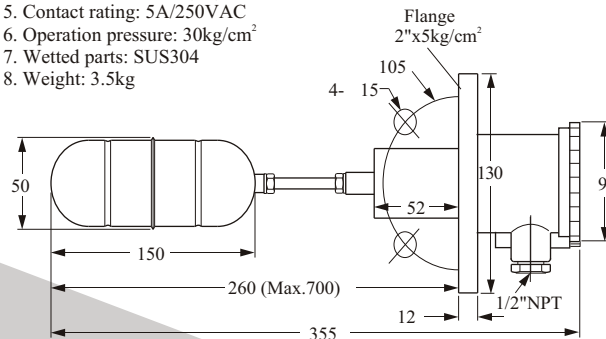
1. Housing material: Stainless Steel (Ex d IIB T4)
2. Suitable S.G.: 0.65
3. Operation temp.: -10~100 C
4. Contact form: SPDT(1C)
5. Contact rating: 5A/250VAC
6. Operation pressure: 15kg/cm²
7. Wetted parts: SUS304



MODEL: LF70DFM

Explosion Proof

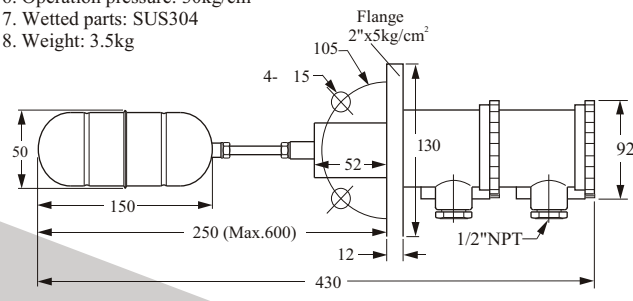
1. Housing material: Stainless Steel (Ex d IIB T4)
2. Suitable S.G.: 0.55
3. Operation temp.: -10~100 C
4. Contact form: SPDT(1C)
5. Contact rating: 5A/250VAC
6. Operation pressure: 30kg/cm²
7. Wetted parts: SUS304
8. Weight: 3.5kg



MODEL: LF71DFM

Explosion Proof

1. Housing material: Stainless Steel (Ex d IIB T4)
2. Suitable S.G.: 0.55
3. Operation temp.: -10~100 C
4. Contact form: SPDT(1C)
5. Contact rating: 5A/250VAC
6. Operation pressure: 30kg/cm²
7. Wetted parts: SUS304
8. Weight: 3.5kg

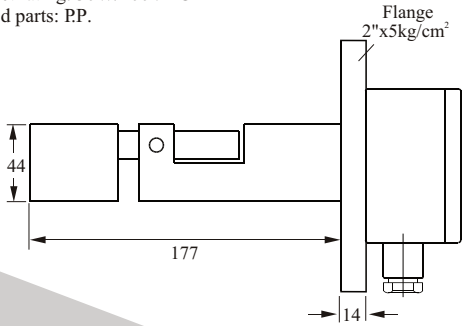


SIDE MOUNTING FLOAT LEVEL SWITCH

MODEL: LF80EFM

Corrosion-proof

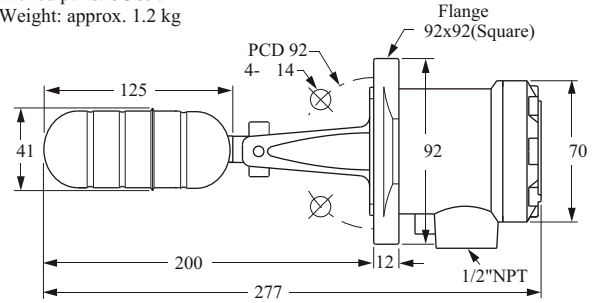
1. Housing material: PC (IP65)
2. Suitable S.G.: 0.6
3. Operation temp.: -10~80 C
4. Contact form: SPDT(1C)
5. Contact rating: 30W/200VDC
6. Wetted parts: PP.



MODEL : LF90GLO

Square Flange 92x92

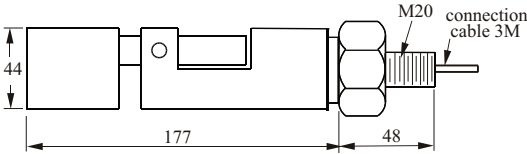
1. Housing material: Aluminum (IP65)
2. Suitable S.G.: >0.65
3. Operation temp.: -10~100 C
4. Contact form: SPDT(1C)
5. Contact rating: 5A/250VAC
6. Operation pressure: 15kg/cm²
7. Wetted parts: SUS304
8. Weight: approx. 1.2 kg



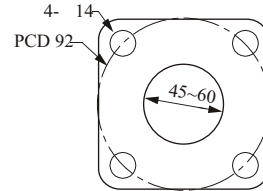
MODEL: LF81EFM

Corrosion-proof

1. Suitable S.G.: 0.6
2. Operation temp.: -0~80 C
3. Contact form: SPDT(1C)
4. Contact rating: 30W/200VDC
5. Wetted parts: PP.

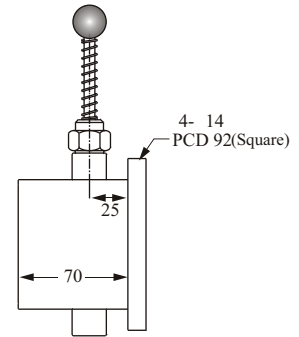


Drill Hole



MODEL : LFB-0300

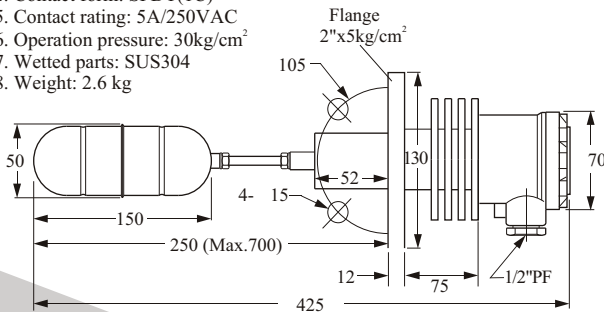
Test Accessory



MODEL: LF62DFM

High Temperature

1. Housing material: Aluminum (IP65)
2. Suitable S.G.: 0.55
3. Operation temp.: -10~350 C
4. Contact form: SPDT(1C)
5. Contact rating: 5A/250VAC
6. Operation pressure: 30kg/cm²
7. Wetted parts: SUS304
8. Weight: 2.6 kg



PATENT NO. 125120

CABLE FLOAT LEVEL SWITCH

1. Cable

The <HAR> approved cable is extremely flexible to ensure a long life-time.

2. Enclosure

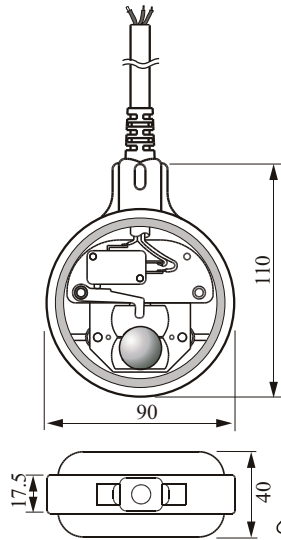
The rugged enclosure can prevent the damages from mechanical impact and chemical corrosion. The unit complies with the IP68 enclosure rating.

3. Micro switch

Contact system suitable for applications with high in-rush current.

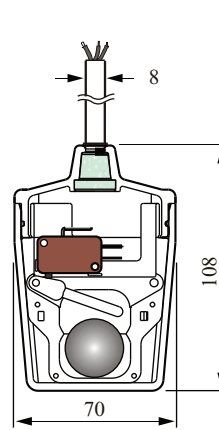
4. Steel marble

MODEL: CS1-R(P) A/B/C
(polypropylene float)



No. 136711

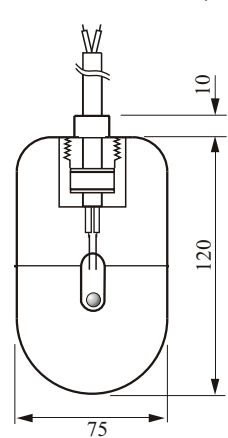
MODEL: CS2-R(P) A/B/C
(polypropylene float)



CE

RU Pending

MODEL: CF-S A/B/C
(Stainless steel float)



SPECIFICATION OF FLOAT

Type	CS1-R A/B/C	CS2-P A/B/C	CS2-R A/B/C	CF-S A/B/C
Float material	Polypropylene	Polypropylene	Polypropylene	SUS304
Cable specification	Neoprene Cable 1mm ² x3C or 2C	PVC(VCT) Cable 1.25mm ² x3C 16AWG	Neoprene Cable 1mm ² x3C	Silicon Cable 0.75mm ² x3C or 2C
Contact rating	10A/250VAC(std.) or 16A/250VAC			2A/250VAC
Contact form	N.O. N.C. or SPDT			
Operating temp.	-10 C~80 C	0 C~60 C	0 C~80 C	0 C~60 C
Suitable S.G.	0.6			0.5
Weight	770g/5M		Approx. 290g / 1M	

FLOAT TYPE CODE

CS1-RA-□□

— Cable length
— Contact form (Micro switch)
A --- N.O.
B --- N.C.
C --- SPDT
— Cable material
P --- PVC (VCT)
R --- Neoprene

CS2-RA-□□

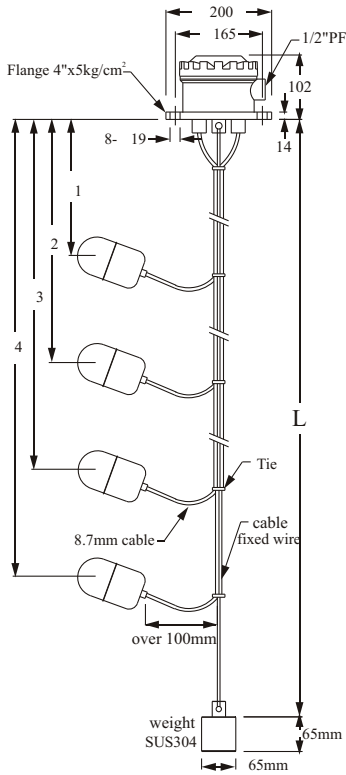
— Cable length
x6---0.6M 05--- 5M (std.)
03--- 3M 10--- 10M
Max. 20M
— Contact form A --- N.O.
(Micro switch) B --- N.C.
C --- SPDT
— Cable material
P --- PVC (VCT)
R --- Neoprene <HAR>H07RN

CF-SA-□□

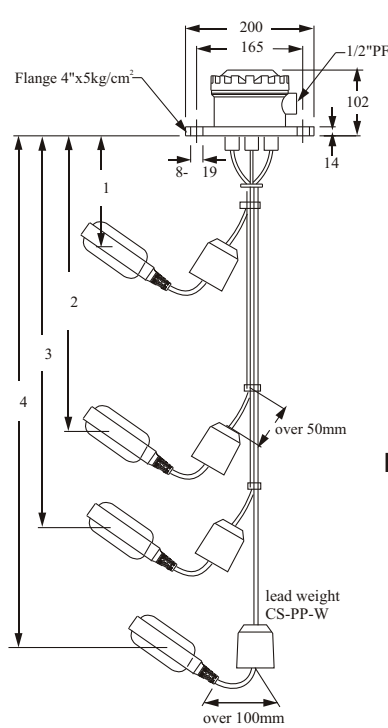
— Cable length
— Contact form (Mercury switch)
A --- N.O.
B --- N.C.
C --- SPDT

CABLE FLOAT LEVEL SWITCH

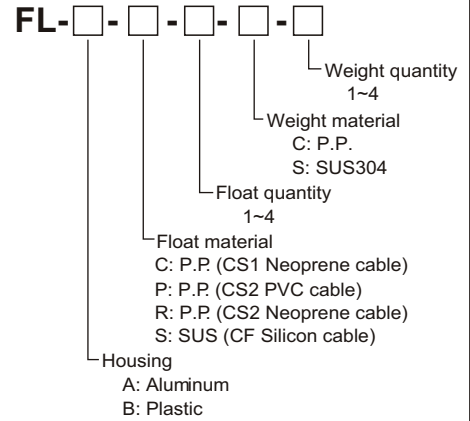
MODEL: FL-A



MODEL: FL-B



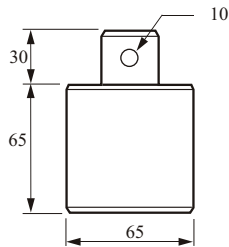
ORDER INFORMATION



DISTANCES OF CONTROL POINT

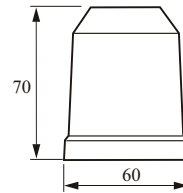
	NO	NC
1: _____ mm	<input type="checkbox"/>	<input type="checkbox"/>
2: _____ mm	<input type="checkbox"/>	<input type="checkbox"/>
3: _____ mm	<input type="checkbox"/>	<input type="checkbox"/>
4: _____ mm	<input type="checkbox"/>	<input type="checkbox"/>
L: _____ mm		

MODEL: CF-SUS-W
(SUS weight)

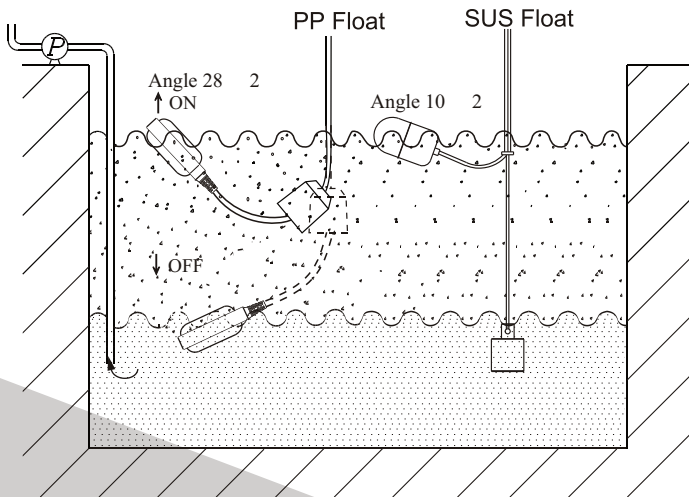


MODEL: CS-PP-W

P.P. weight:
0.3kg-std.
(0.5kg-optional)



APPLICATION



CHEMICAL RESISTANCE

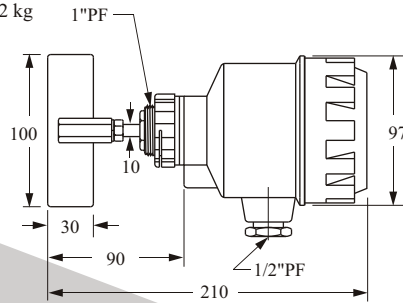
Diesel.....	good
Glycerine.....	good
Fuel-oil.....	good
Washing agent.....	good
Benzine.....	good
Formic acid.....	less than 10% are acceptable
Acetic acid.....	less than 10% are acceptable
Formaldehyde.....	less than 40% are acceptable
Lactic acid.....	less than 10% are acceptable
Nitric.....	less than 10% are acceptable
Hydrochloric acid...less than 10% are acceptable	
Sulfuric acid.....	less than 30% are acceptable

ROTARY PADDLE LEVEL SWITCH

MODEL: RP10A/B/C

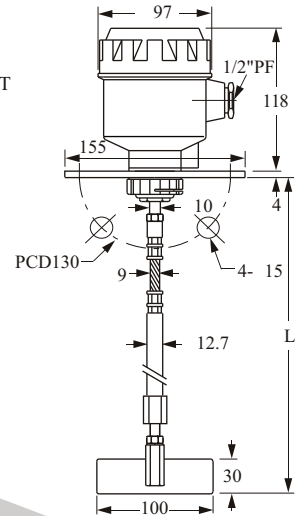
Thread Type

1. Supply voltage : 110V(A), 220V(B), 240V(C), 50/60Hz
2. Power Consumption : 3W
3. Contact rating : AC 250V, 5A, 1SPDT
4. Rotary speed : 1 R.P.M.
5. Torque : 0.5~1.0 kg-cm
6. Connection : 1"PF screw
7. Operation temperature : -10~70 C (Tank inside temp.)
8. Housing material : Aluminum (IP65)
9. Conduit : 1/2"PF
10. Weight : approx. 1.2 kg



MODEL: RP30A/B/C

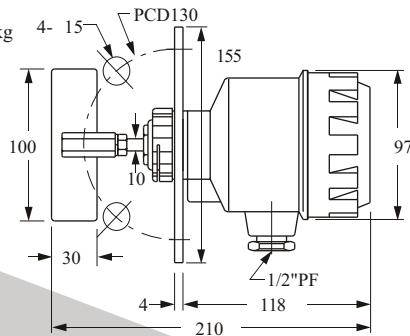
1. Supply voltage : 110V(A), 220V(B), 240V(C), 50/60Hz
2. Power Consumption : 3W
3. Contact rating : AC 250V, 5A, 1SPDT
4. Rotary speed : 1 R.P.M.
5. Torque : 0.5~1.0 kg-cm
6. Connection : JIS 2-1/2"x 5kg/cm²
7. Operation temperature : -10~70 C (Tank inside temp.)
8. Housing material : Aluminum (IP65)
9. Conduit : 1/2"PF
10. Weight :
 - L-- 450~ 650mm: approx. 2.5kg
 - L-- 650~1000mm: approx. 2.8kg
 - L-- 750~1200mm: approx. 3.0kg



MODEL: RP11A/B/C

Flange Type

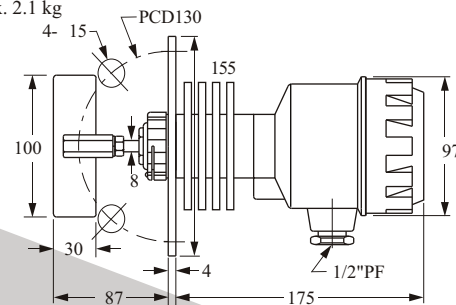
1. Supply voltage : 110V(A), 220V(B), 240V(C), 50/60Hz
2. Power Consumption : 3W
3. Contact rating : AC 250V, 5A, 1SPDT
4. Rotary speed : 1 R.P.M.
5. Torque : 0.5~1.0 kg-cm
6. Connection : JIS 2-1/2"x 5kg/cm²
7. Operation temperature : -10~70 C (Tank inside temp.)
8. Housing material : Aluminum (IP65)
9. Conduit : 1/2"PF
10. Weight : approx. 1.7 kg



MODEL: RP40A/B/C

High Temp.

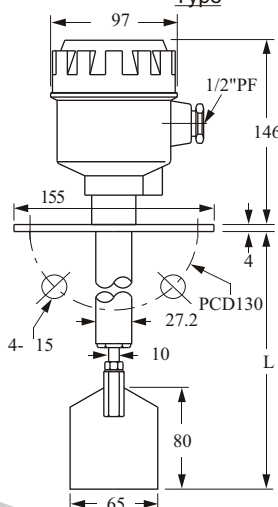
1. Supply voltage : 110V(A), 220V(B), 240V(C), 50/60Hz
2. Power Consumption : 3W
3. Contact rating : AC 250V, 5A, 1 SPDT
4. Rotary speed : 1 R.P.M.
5. Torque : 0.5~1.0 kg-cm
6. Connection : JIS 2-1/2"x 5kg/cm² flange
7. Operation temperature : Max. 200 C (Tank inside temp.)
8. Housing material : Aluminum (IP65)
9. Conduit : 1/2"PF
10. Weight : approx. 2.1 kg



MODEL: RP20A/B/C

Shaft Protective Type

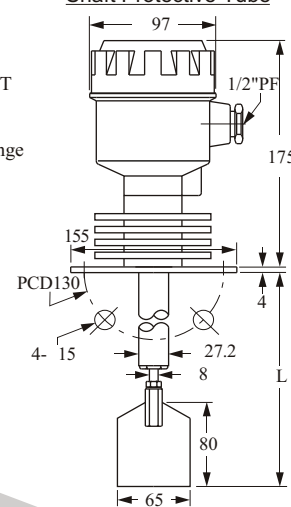
1. Supply voltage : 110V(A), 220V(B), 240V(C), 50/60Hz
2. Power Consumption : 3W
3. Contact rating : AC 250V, 5A, 1SPDT
4. Rotary speed : 1 R.P.M.
5. Torque : 0.5~1.0 kg-cm
6. Connection : JIS 2-1/2"x 5kg/cm² flange SUS 304
7. Operation temperature : -10~70 C (Tank inside temp.)
8. Housing material : Aluminum (IP65)
9. Conduit : 1/2"PF
10. Weight :
 - L-- 250mm: approx. 2.2kg
 - L-- 500mm: approx. 2.5kg
 - L-- 750mm: approx. 2.8kg



MODEL: RP41A/B/C

High Temp. Shaft Protective Tube

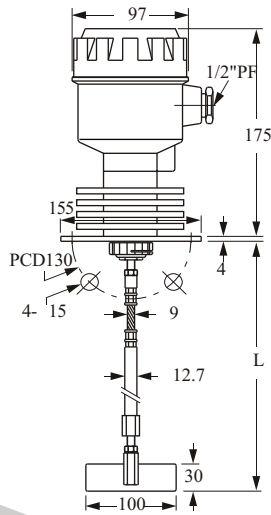
1. Supply voltage : 110V(A), 220V(B), 240V(C), 50/60Hz
2. Power Consumption : 3W
3. Contact rating : AC 250V, 5A, 1 SPDT
4. Rotary speed : 1 R.P.M.
5. Torque : 0.5~1.0 kg-cm
6. Connection : JIS 2-1/2"x 5kg/cm² flange SUS 304
7. Operation temperature : Max. 200 C (Tank inside temp.)
8. Housing material : Aluminum (IP65)
9. Conduit : 1/2"PF
10. Weight :
 - L--250mm: approx. 2.6kg
 - L--500mm: approx. 2.9kg
 - L--750mm: approx. 3.2kg



ROTARY PADDLE LEVEL SWITCH

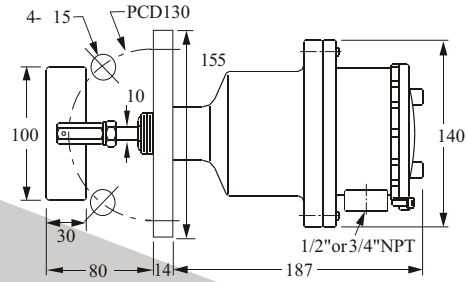
MODEL: RP46A/B/C

1. Supply voltage : 110V(A), 220V(B), 240V(C), 50/60Hz
2. Power Consumption : 3W
3. Contact rating : AC 250V, 5A, 1SPDT
4. Rotary speed : 1 R.P.M.
5. Torque : 0.5~1.0 kg-cm
6. Connection : JIS 2-1/2" x 5 kg/cm² flange
7. Operation temperature : Max. 200 C (Tank inside temp.)
8. Housing material : Aluminum (IP65)
9. Conduit : 1/2"PF
10. Weight :
L--450~ 650mm: approx. 3.0kg
L--650~1000mm: approx. 3.3kg
L--750~1200mm: approx. 3.5kg



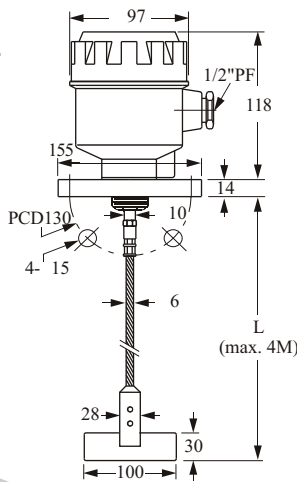
MODEL: RP71A/B/C

1. Supply voltage : 110V(A), 220V(B), 240V(C), 50/60Hz
2. Power Consumption : 3W
3. Contact rating : AC 250V, 5A, 1SPDT
4. Rotary speed : 1 R.P.M.
5. Torque : 0.5~1.0 kg-cm
6. Connection : JIS 2-1/2" x 5 kg/cm² flange
7. Operation temperature : -10~70 C (Tank inside temp.)
8. Housing material : Aluminum (Ex d IIB T4)
9. Conduit : 1/2" or 3/4" NPT



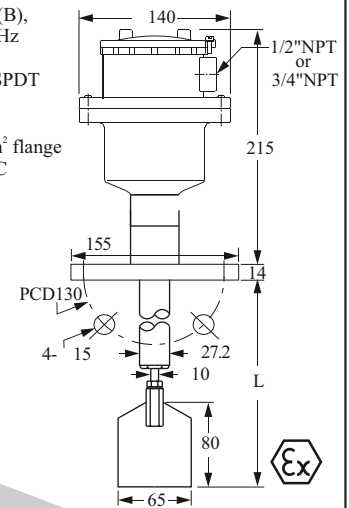
MODEL: RP60A/B/C

1. Supply voltage : 110V(A), 220V(B), 240V(C), 50/60Hz
2. Power Consumption : 3W
3. Contact rating : AC 250V, 5A, 1SPDT
4. Rotary speed : 1 R.P.M.
5. Torque : 0.5~1.0 kg-cm
6. Connection : JIS 2-1/2" x 5 kg/cm²
7. Operation temperature : -10~70 C (Tank inside temp.)
8. Housing material : Aluminum (IP65)
9. Conduit : 1/2"PF
10. Weight : approx. 1.7 kg



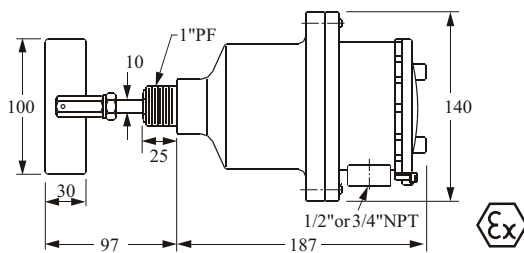
MODEL: RP72A/B/C

1. Supply voltage : 110V(A), 220V(B), 240V(C), 50/60Hz
2. Power Consumption : 3W
3. Contact rating : AC 250V, 5A, 1SPDT
4. Rotary speed : 1 R.P.M.
5. Torque : 0.5~1.0 kg-cm
6. Connection : JIS 2-1/2" x 5 kg/cm² flange
7. Operation temperature : -10~70 C (Tank inside temp.)
8. Housing material : Aluminum (Ex d IIB T4)
9. Conduit : 1/2" or 3/4" NPT
10. Length:
L-- 250mm
L-- 500mm
L-- 750mm



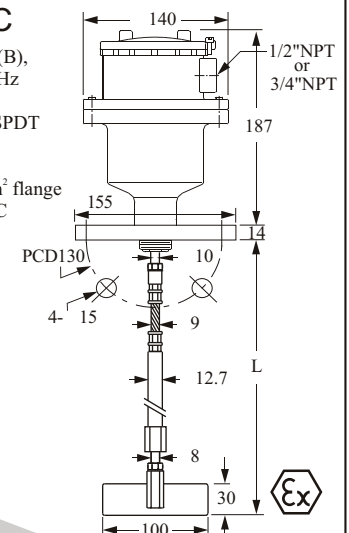
MODEL: RP70A/B/C

1. Supply voltage : 110V(A), 220V(B), 240V(C), 50/60Hz
2. Power Consumption : 3W
3. Contact rating : AC 250V, 5A, 1SPDT
4. Rotary speed : 1 R.P.M.
5. Torque : 0.5~1.0 kg-cm
6. Connection : 1"PF screw
7. Operation temperature : -10~70 C (Tank inside temp.)
8. Housing material : Aluminum (Ex d IIB T4)
9. Conduit : 1/2" or 3/4" NPT
10. Weight : approx 2.2kg



MODEL: RP73A/B/C

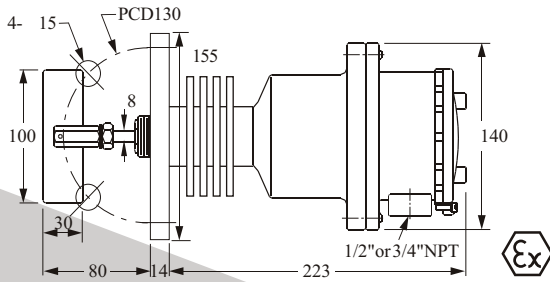
1. Supply voltage : 110V(A), 220V(B), 240V(C), 50/60Hz
2. Power Consumption : 3W
3. Contact rating : AC 250V, 5A, 1SPDT
4. Rotary speed : 1 R.P.M.
5. Torque : 0.5~1.0 kg-cm
6. Connection : JIS 2-1/2" x 5 kg/cm² flange
7. Operation temperature : -10~70 C (Tank inside temp.)
8. Housing material : Aluminum (Ex d IIB T4)
9. Conduit : 1/2" or 3/4" NPT
10. Length:
L-- 450~ 650mm
L-- 650~ 1000mm
L-- 750~ 1200mm



ROTARY PADDLE LEVEL SWITCH

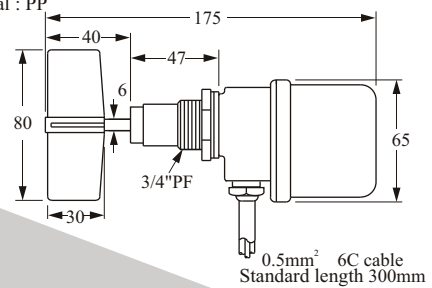
MODEL: RP74A/B/C

1. Supply voltage : 110V(A), 220V(B), 240V(C), 50/60Hz
2. Power Consumption : 3W
3. Contact rating : AC 250V, 5A, 1SPDT
4. Rotary speed : 1 R.P.M.
5. Torque : 0.5~1.0 kg-cm
6. Connection : JIS 2-1/2"x 5 kg/cm² flange
7. Operation temperature : Max. 200 C (Tank inside temp.)
8. Housing material : Aluminum (Ex d IIB T4)
9. Conduit : 1/2" or 3/4"NPT



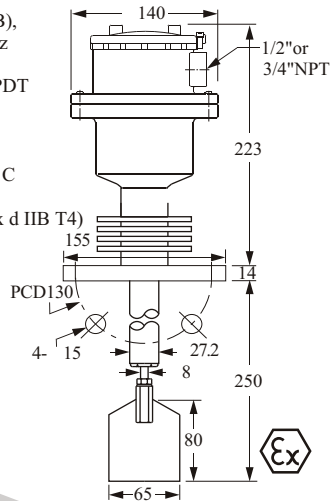
MODEL: RP80A/B/C

1. Supply voltage : 110V(A), 220V(B), 240V(C), 24VAC(D) 50/60Hz
2. Power Consumption : 1.5W
3. Contact rating : AC 250V, 3A, 1SPDT
4. Rotary speed : 1 R.P.M.
5. Torque : 30~100g-cm
6. Connection : 3/4"PF SCREW
7. Operation temperature : -20~70 C (Tank inside temp.)
8. Housing material : PC (IP65).
9. Weight : approx.0.42kg.
10. Paddle material : PP



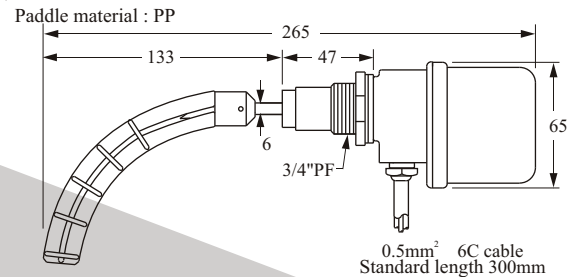
MODEL: RP75A/B/C

1. Supply voltage : 110V(A), 220V(B), 240V(C), 50/60Hz
2. Power Consumption : 3W
3. Contact rating : AC 250V, 5A, 1SPDT
4. Rotary speed : 1 R.P.M.
5. Torque : 0.5~1.0 kg-cm
6. Connection : JIS 2-1/2"x 5kg/cm²
7. Operation temperature : Max. 200 C (Tank inside temp.)
8. Housing material : Aluminum ((Ex d IIB T4)
9. Conduit : 1/2"PF



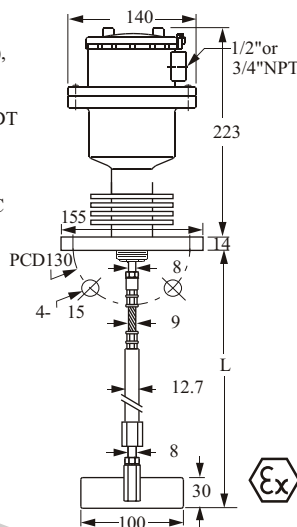
MODEL: RP80 CRH

1. Supply voltage : 110V(A), 220V(B), 240V(C), 24VAC(D) 50/60Hz
2. Power Consumption : 1.5W
3. Contact rating : AC 250V, 3A, 1SPDT
4. Rotary speed : 1 R.P.M.
5. Torque : 30~100g-cm
6. Connection : Tank inside temp.3/4"PF SCREW
7. Operation temperature : -20~70 C
8. Housing material : PC(IP65).
9. Weight : approx.0.42kg.
10. Paddle material : PP



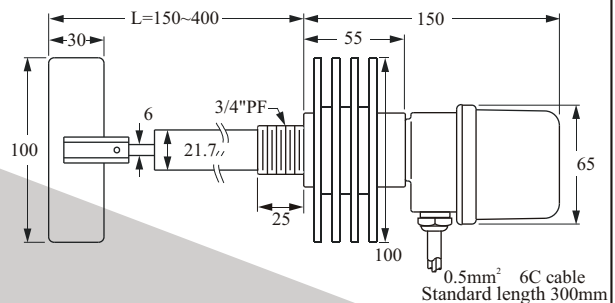
MODEL: RP76A/B/C

1. Supply voltage : 110V(A), 220V(B), 240V(C), 50/60Hz
2. Power Consumption : 3W
3. Contact rating : AC 250V, 5A, 1SPDT
4. Rotary speed : 1 R.P.M.
5. Torque : 0.5~1.0 kg-cm
6. Connection : 1"PF screw
7. Operation temperature : Max. 200 C (Tank inside temp.)
8. Housing material : Aluminum (Ex d IIB T4)
9. Conduit : 1/2" or 3/4"NPT



MODEL: RP84 CRI

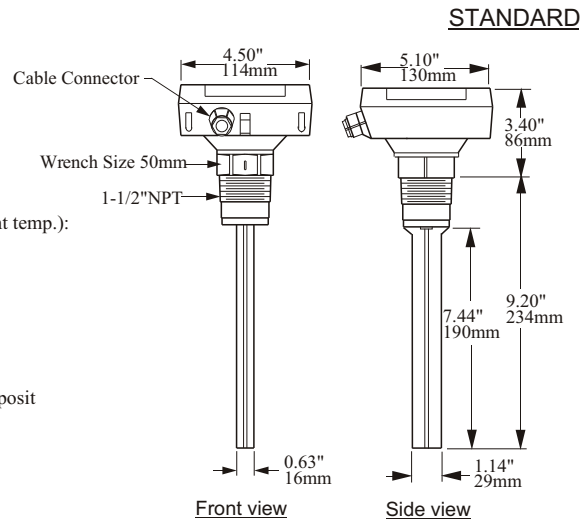
1. Supply voltage : 110V(A), 220V(B), 240V(C),24VAC(D) 50/60Hz
2. Power Consumption : 1.5W
3. Contact rating : AC 250V, 3A, 1SPDT
4. Rotary speed : 1 R.P.M.
5. Torque : 30~100 g-cm
6. Connection : 3/4"PF screw
7. Operation temperature : Max. 200 C (Tank inside temp.)
8. Housing material : PC (IP65)
9. Paddle material : SUS304



VIBRATING PROBE LEVEL SWITCH

MODEL: ZVL20C

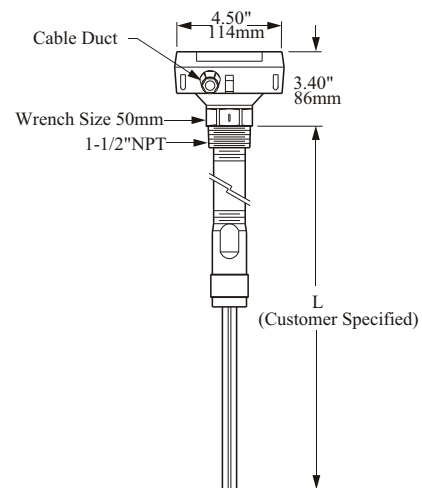
1. Housing material : Die cast Aluminum NEMA 4, 12 / IP65
2. Probe construction : SUS 304
3. Connection : 1-1/2"NPT
4. Conduit : 1/2"PT, PG13.5
5. Supply voltage : 115/230VAC 15%, 50/60Hz
6. Power consumption : 2VAMax.
7. Minimum material density sensed : 1.87 Lbs. cu. ft.
8. Maximum vertical load on rod : 177 in. Lbs. (20Nm)
9. Operating temperatures electronics in instrument head, attached or remote (ambient temp.):
-22~140 F (-30~60 C)
10. Temperature in bin at probe : -22~176 F (-30~80 C)
11. Operating pressure : Vacuum to 150 PSI (10 BAR)
12. Relay output : SPDT, 5A/250VAC
13. Time delay to operate : 1 second
14. Time delay to reset : 2 ~ 5 seconds
15. Field-selectable fail-safe : Maximum or minimum (Hi or Lo)
16. Filed-selectable sensitivity : Std. or low for products which may form a heavy deposit



MODEL: ZVL20E

1. Housing material : Die cast Aluminum NEMA 4, 12 / IP65
2. Probe construction : SUS 304
3. Connection : 1-1/2"NPT
4. Conduit : 1/2"PT conduit fitting, PG13.5
5. Supply voltage : 115/230VAC 15%, 50/60Hz
6. Power consumption : 2 VA Max.
7. Minimum material density sensed : 1.87 Lbs. cu. ft.
8. Maximum vertical load on rod : 177 in. Lbs. (20Nm)
9. Operating temperatures electronics in instrument head, attached or remote (ambient temp.):
-22~140 F (-30~60 C)
10. Temperature in bin at probe : -22 F to 176 F (-30~80 C)
11. Operating pressure : Vacuum to 150PSI (10 BAR)
12. Relay output : SPDT, 5A/250VAC
13. Time delay to operate : 1 second
14. Time delay to reset : 2 ~ 5 seconds
15. Solid extension : SUS 304 to 12 ft. (365.76 cm) length (factory assembled)
16. Field-selectable fail-safe : Maximum or minimum (Hi or Lo)
17. Filed-selectable sensitivity : Std. or low for products which may form a heavy deposit

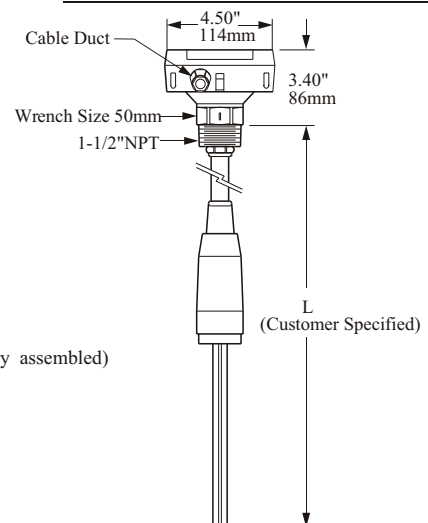
STANDARD W/SOLID EXTENSION



MODEL: ZVL20W

1. Housing material : Die cast Aluminum NEMA 4, 12 / IP65
2. Probe construction : SUS 304
3. Connection : 1-1/2" NPT
4. Conduit : 1/2"PT conduit fitting, PG 13.5
5. Supply voltage : 115/230VAC 15%, 50/60Hz
6. Power consumption : 2 VA Max.
7. Minimum material density sensed : 1.87 lbs. cu. ft.
8. Maximum vertical load on rod : 177 in. lbs. (20Nm)
9. Operating temperatures electronics in instrument head, attached or remote (ambient temp.):
-22~140 F (-30~60 C)
10. Temperature in bin at probe : -22~176 F (-30~80 C)
11. Operating pressure : Vacuum to 150 PSI (10 BAR)
12. Relay output : SPDT, 5A/250VAC
13. Time delay to operate : 1 second
14. Time delay to reset : 2 ~ 5 seconds
15. Cable extension : Polyurethane sheathed, steel rope reinforced, to 20 ft. (609.6 cm) length (factory assembled)
16. Field-selectable fail-safe : Maximum or minimum (Hi or Lo)
17. Filed-selectable sensitivity : Std. or low for products which may form a heavy deposit

STANDARD W/CABLE EXTENSION

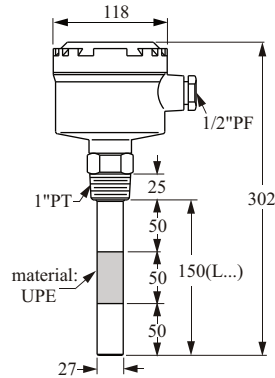


CAPACITANCE LEVEL SWITCH

MODEL: ME10A/B/C

STANDARD

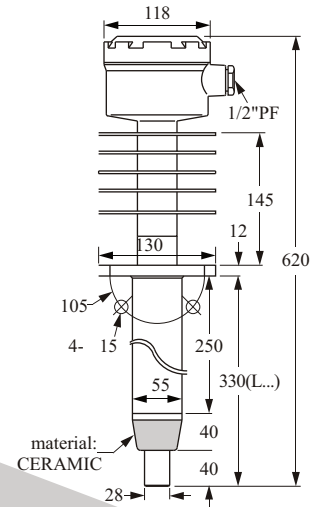
- Housing material: Aluminum (IP65)
- Probe material: SUS 304
- Insulated material: UPE
- Supply voltage: 110/220VAC or 24VDC
- Contact rating: 5A/250VAC, 5A/30VDC SPDT or NPN 100mA
- Power consumption: 2W
- Connection: 1"PT screw (SUS)
- Temperature: -20~80 C
- Sensitivity range: 10pf, 20pf, 40pf
- Delay time: 0~6 sec.
- Approximate weight: 1.9 kg



MODEL: ME28A/B/C

SUPPER HI-TEMP

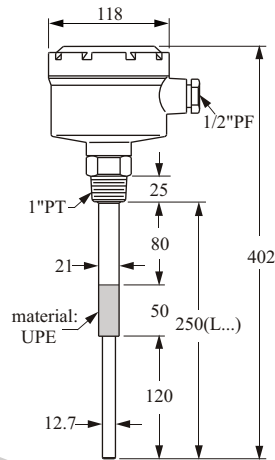
- Housing material: Aluminum (IP65)
- Probe material: SUS 304
- Insulated material: CERAMIC
- Supply voltage: 110/220VAC or 24VDC
- Contact rating: 5A/250VAC, 5A/30VDC SPDT or NPN 100mA
- Power consumption: 2W
- Connection: 2"x5kg/cm² flange (SUS)
- Temperature: -20~800 C
- Sensitivity range: 10pf, 20pf
- Delay time: 0~6 sec.
- Approximate weight: 6.5 kg



MODEL: ME11A/B/C

STANDARD

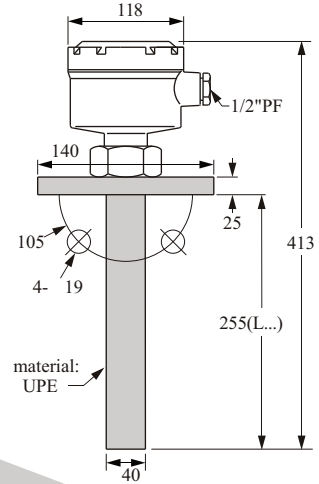
- Housing material: Aluminum (IP65)
- Probe material: SUS 304
- Insulated material: UPE
- Supply voltage: 110/220VAC or 24VDC
- Contact rating: 5A/250VAC, 5A/30VDC SPDT or NPN 100mA
- Power consumption: 2W
- Connection: 1"PT screw (SUS)
- Temperature: -20~80 C
- Sensitivity range: 10pf, 20pf, 40pf
- Delay time: 0~6 sec.
- Approximate weight: 1.9 kg



MODEL: ME30A/B/C

CORROSION-PROOF

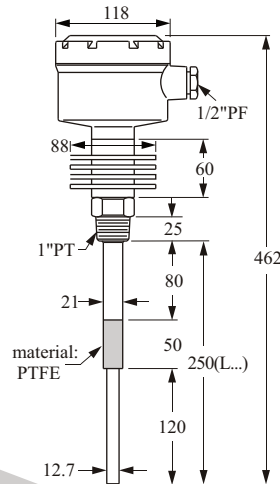
- Housing material: Aluminum (IP65)
- Probe material: SUS coating UPE
- Supply voltage: 110/220VAC or 24VDC
- Contact rating: 5A/250VAC, 5A/30VDC SPDT or NPN 100mA
- Power consumption: 2W
- Connection: (UPE) 1-1/2"x10kg/cm² flange
- Temperature: -20~80 C
- Sensitivity range: 10pf, 20pf
- Delay time: 0~6 sec.
- Approximate weight: 2 kg



MODEL: ME20A/B/C

HI-TEMP

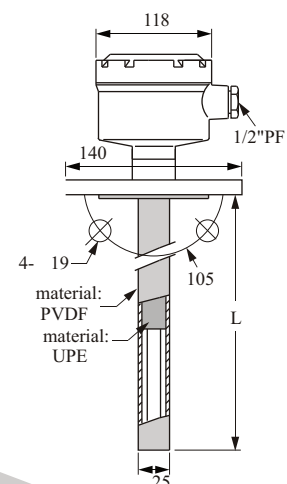
- Housing material: Aluminum (IP65)
- Probe material: SUS 304
- Insulated material: PTFE
- Supply voltage: 110/220VAC or 24VDC
- Contact rating: 5A/250VAC, 5A/30VDC SPDT or NPN 100mA
- Power consumption: 2W
- Connection: 1"PT screw (SUS)
- Temperature: -20~200 C
- Sensitivity range: 10pf, 20pf, 40pf
- Delay time: 0~6 sec.
- Approximate weight: 2.4 kg



MODEL: ME32A/B/C

CORROSION-PROOF

- Housing material: Aluminum (IP65)
- Probe material: PVDF Coating
- Supply voltage: 110/220VAC or 24VDC
- Contact rating: 5A/250VAC, 5A/30VDC SPDT or NPN 100mA
- Power consumption: 2W
- Connection: (SUS) 1-1/2"x10kg/cm² flange
- Temperature: -20~80 C
- Sensitivity range: 10pf, 20pf
- Delay time: 0~6 sec.

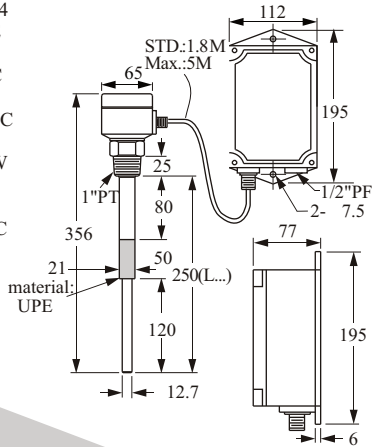


CAPACITANCE LEVEL SWITCH

MODEL: ME40A/B/C

REMOTE PROBE

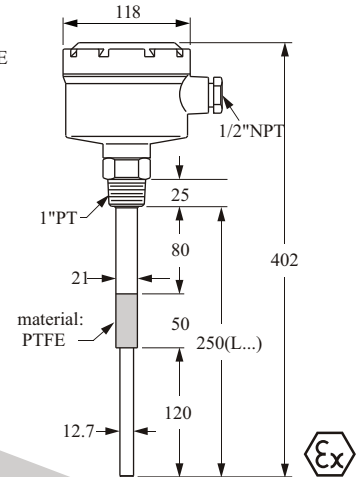
- Housing material: Aluminum (IP65)
- Probe material: SUS 304
- Insulated material: UPE
- Supply voltage: 110/220VAC or 24VDC
- Contact rating: 5A/250VAC, 5A/30VDC SPDT or NPN 100mA
- Power consumption: 2W
- Connection: 1"PT screw (SUS)
- Temperature: -20~100 C
- Sensitivity range: 10pf
- Delay time: 0~6 sec.
- Approximate weight: 3 kg



MODEL: ME70D(with EX-75U)

STANDARD EXPLOSION PROOF

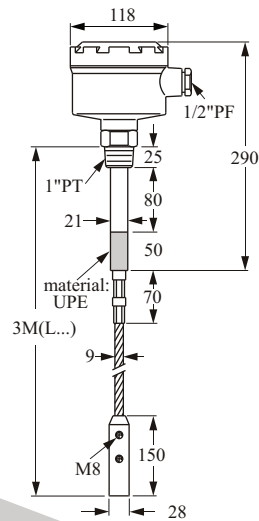
- Housing material: Aluminum (Ex ia IIB T6)
- Probe material: SUS 304/316
- Insulated material: PTFE/UPE
- Supply voltage: 16~24VDC
- Contact rating: NPN 100mA
- Power consumption: 2W
- Connection: 1"PT screw (SUS)
- Temperature: -20~80 C
- Sensitivity range: 10pf, 20pf, 40pf
- Approximate weight: 1.9 kg



MODEL: ME50A/B/C

WIRE-PROBE

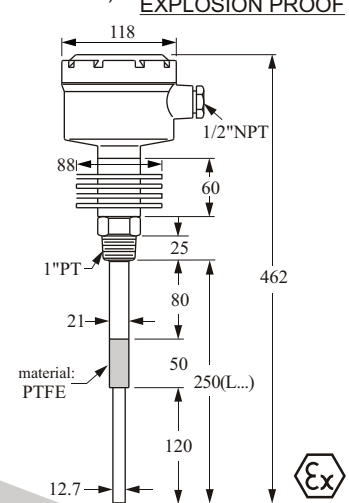
- Housing material: Aluminum (IP65)
- Probe material: SUS 304
- Insulated material: UPE
- Supply voltage: 110/220VAC or 24VDC
- Contact rating: 5A/250VAC, 5A/30VDC SPDT or NPN 100mA
- Power consumption: 2W
- Connection: 1"PT screw (SUS)
- Temperature: -20~80 C
- Sensitivity range: 10pf, 20pf, 40pf
- Delay time: 0~6 sec.
- Approximate weight: 4.1 kg
- Tensile strength: 3.5Tf



MODEL: ME72D(with ME-75U)

HIGH TEMP. EXPLOSION PROOF

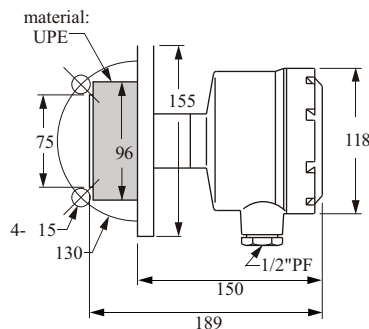
- Housing material: Aluminum (Ex ia IIB T3)
- Probe material: SUS 304/316
- Insulated material: PTFE/UPE
- Supply voltage: 16~24VDC
- Contact rating: NPN 100mA
- Power consumption: 2W
- Connection: 1"PT screw (SUS)
- Temperature: -20~200 C
- Sensitivity range: 10pf, 20pf, 40pf
- Approximate weight: 2.4 kg



MODEL: ME60A/B/C

PLATE

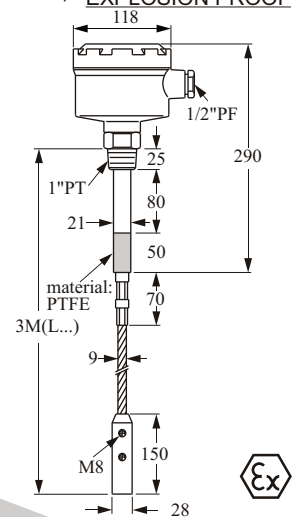
- Housing material: Aluminum (IP65)
- Probe material: SUS 304
- Insulated material: UPE
- Supply voltage: 110/220VAC or 24VDC
- Contact rating: 5A/250VAC, 5A/30VDC SPDT or NPN 100mA
- Power consumption: 2W
- Connection: (SUS) 2-1/2"x5kg/cm² flange
- Temperature: -20~80 C
- Sensitivity range: 10pf, 20pf, 40pf
- Delay time: 0~6 sec.
- Approximate weight: 3.2 kg



MODEL: ME75D(with ME-75U)

WIRE PROBE EXPLOSION PROOF

- Housing material: Aluminum (Ex ia IIB T3)
- Probe material: SUS 304/316
- Insulated material: PTFE/UPE
- Supply voltage: 16~24VDC
- Contact rating: NPN 100mA
- Power consumption: 2W
- Connection: 1"PT screw (SUS)
- Temperature: -20~80 C
- Sensitivity range: 10pf, 20pf, 40pf
- Approximate weight: 4.1 kg
- Tensile strength: 3.5Tf

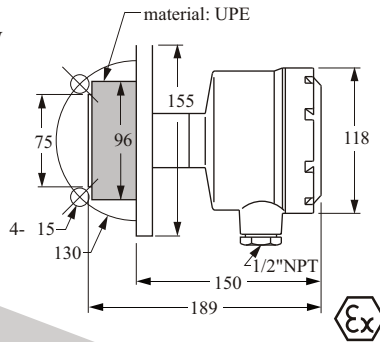


CAPACITANCE LEVEL SWITCH

MODEL: ME76D(with EX-75U)

**Plate
Explosion Proof**

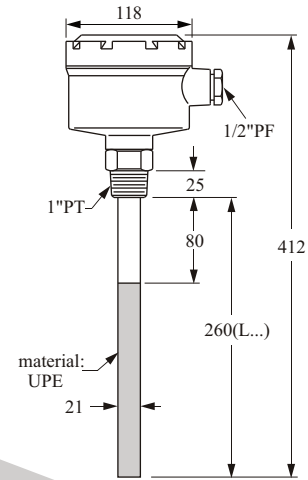
- Housing material:
Aluminum (Ex ia IIB T6)
- Probe material:
PTFE or UPE Coating
- Supply voltage:
16-24VDC
- Contact rating:
NPN 100mA
- Power consumption: 2W
- Connection:
2-1/2" 5kg/cm² (SUS)
- Temperature: -20~80 C
- Sensitivity range:
10pf, 20pf, 40pf
- Approximate weight:
3.2 kg



MODEL: ME80A/B/C

Anti-static

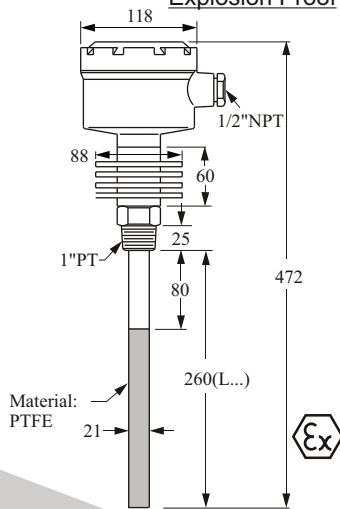
- Housing material:
Aluminum (IP65)
- Probe material:
UPE Coating
- Supply voltage:
110/220VAC or 24VDC
- Contact rating:
5A/250VAC, 5A/30VDC
SPDT or NPN 100mA
- Power consumption: 2W
- Connection:
1\"PT screw (SUS)
- Temperature: -20~80 C
- Sensitivity range:
10pf, 20pf
- Delay time: 0~6 sec.
- Approximate weight:
2 kg



MODEL: ME77D(with EX-75U)

**Anti-static
Explosion Proof**

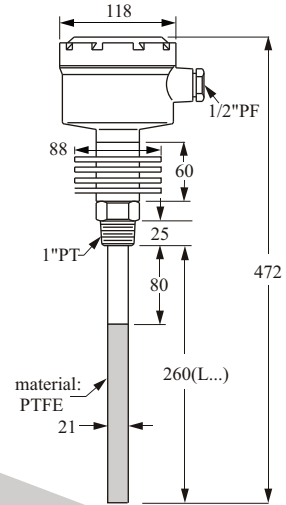
- Housing material:
Aluminum (Ex ia IIB T6)
- Probe material:
PTFE/UPE coating
- Supply voltage:
16-24VDC
- Contact rating:
NPN 100mA
- Power consumption: 2W
- Connection:
1\"PT screw (SUS)
- Temperature: -20~200 C
- Sensitivity range :
10pf, 20pf
- Approximate weight:
3.1 kg



MODEL: ME81A/B/C

Hi-temp Anti-static

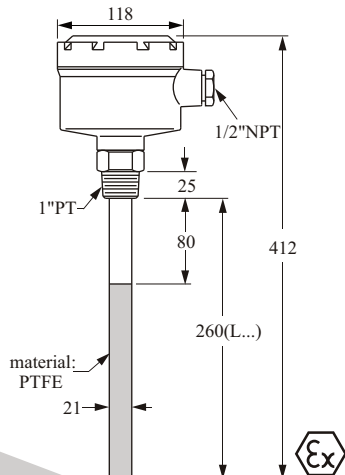
- Housing material:
Aluminum (IP65)
- Probe material:
PTFE Coating
- Supply voltage:
110/220VAC or 24VDC
- Contact rating:
5A/250VAC, 5A/30VDC
SPDT or NPN 100mA
- Power consumption: 2W
- Connection:
1\"PT screw (SUS)
- Temperature: -20~200 C
- Sensitivity range:
10pf, 20pf
- Delay time: 0~6 sec.
- Approximate weight:
2.5 kg



MODEL: ME78D(with EX-75U)

**Anti-static
Explosion Proof**

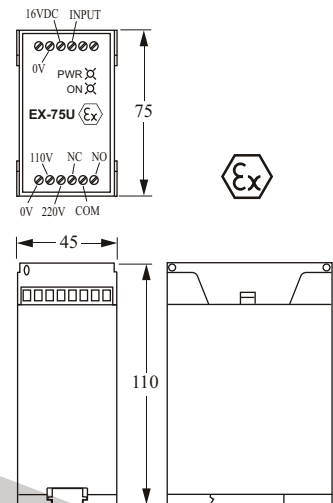
- Housing material:
Aluminum (Ex ia IIB T6)
- Probe material:
PTFE/UPE coating
- Supply voltage:
16-24VDC
- Contact rating:
NPN 100mA
- Power consumption: 2W
- Connection:
1\"PT screw (SUS)
- Temperature: -20~80 C
- Sensitivity range :
10pf, 20pf
- Approximate weight:
2 kg



MODEL: EX-75U

Intrinsically Safe Relay

- Supply voltage:
110 / 220VAC
- Power consumption:
2W
- Input signal:
NPN transistor
resistance Ri= 500
- Output voltage:
16-24VDC
- Short circuit current:
25mA max.
- Relay output:
SPDT, 10A/30VDC,
10A /220VAC
- Operating temp.: 0~55 C
- Weight: approx. 0.3kg
- Enclosure rating:
Ex ia IIC



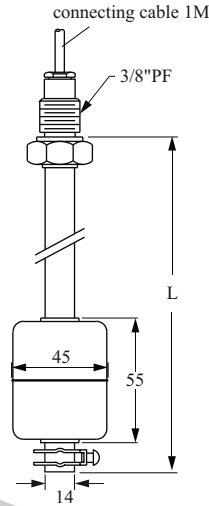
MAGNETIC FLOAT LEVEL INDICATOR

LEVEL INDICATOR

with PM Series Panel Meter

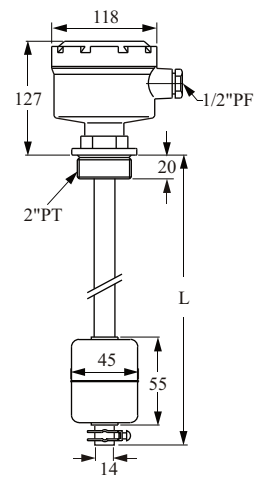
MODEL: RLA(B)-AR4S3(S4)

1. Connection cable:
Silicon cable 3C 1M
2. Connection: 3/8"PF
3. Tube: 14 SUS304
4. Float available: SUS304/316
S3- 45x55
(S4- 52x52)
5. Specific gravity: E.>0.5
6. Resolution:
RLA--- 6.35mm
RLB--- 12.70mm
7. Measuring range:
Max. 6M
8. Total resistance of
measuring range:
0~1M
9. Output:
Resistance of three wires
10. Operation temperature:
-20~120 C
11. Operation pressure:
12 kg/cm²



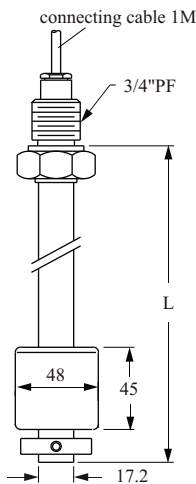
MODEL: RLA(B)BFQ4S3(S4)

1. Housing material:
Aluminum (IP65)
2. Connection: 2"PT
3. Tube: 14 SUS304
4. Float available: SUS304/316
S3- 45x55
(S4- 52x52)
5. Specific gravity: E.>0.5
6. Resolution:
RLA--- 6.35mm
RLB--- 12.70mm
7. Measuring range:
Max. 6M
8. Total resistance of
measuring range:
0~1M
9. Output:
Resistance of three wires
10. Operation temperature:
-20~120 C
11. Operation pressure:
12 kg/cm²



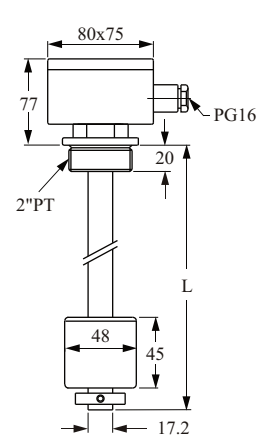
MODEL: RLB-CR5P3

1. Connection cable:
Silicon cable 3C 1M
2. Connection: 3/4"PF
3. Tube: 17.2 P.P.
4. Float available: P.P.
P3- 48x45
5. Specific gravity: E.>0.6
6. Resolution: 12.70mm
7. Measuring range:
Max. 6M
8. Total resistance of
measuring range:
0~1M
9. Output:
Resistance of three wires
10. Operation temperature:
-10~80 C
11. Operation pressure:
4 kg/cm²



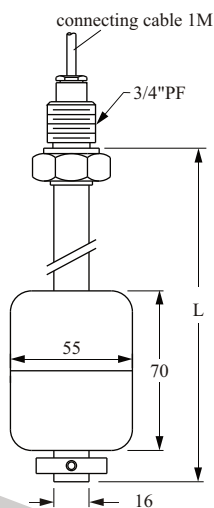
MODEL: RLBGFQ5P3

1. Housing material:
P.C. (IP65)
2. Connection: 2"PT
3. Tube: 17.2 P.P.
4. Float available: P.P.
P3- 48x45
5. Specific gravity: E.>0.6
6. Resolution: 12.70mm
7. Measuring range:
Max. 6M
8. Total resistance of
measuring range:
0~1M
9. Output:
Resistance of three wires
10. Operation temperature:
-10~80 C
11. Operation pressure:
4 kg/cm²



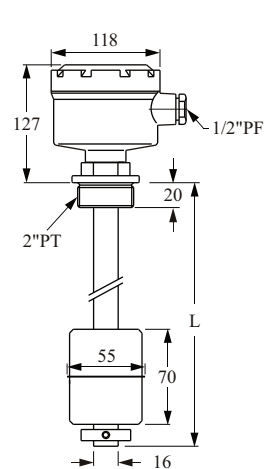
MODEL: RLB-CR6F1

1. Connection cable:
Silicon cable 3C 1M
2. Connection: 3/4"PF
3. Tube: 16 PVDF
4. Float available: PVDF
F1- 55x70
5. Specific gravity: E.>0.8
6. Resolution: 12.70mm
7. Measuring range:
Max. 6M
8. Total resistance of
measuring range:
0~1M
9. Output:
Resistance of three wires
10. Operation temperature:
-20~120 C
11. Operation pressure:
3 kg/cm²



MODEL: RLBCFQ6F1

1. Housing material:
PP+FIBER (IP65)
2. Connection: 2"PT
3. Tube: 16 PVDF
4. Float available: PVDF
F1- 55x70
5. Specific gravity: E.>0.8
6. Resolution: 12.70mm
7. Measuring range:
Max. 6M
8. Total resistance of
measuring range:
0~1M
9. Output:
Resistance of three wires
10. Operation temperature:
-20~120 C
11. Operation pressure:
3 kg/cm²



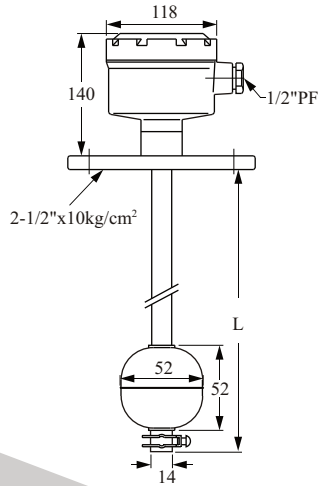
MAGNETIC FLOAT LEVEL INDICATOR

LEVEL INDICATOR

with PM Series Panel Meter

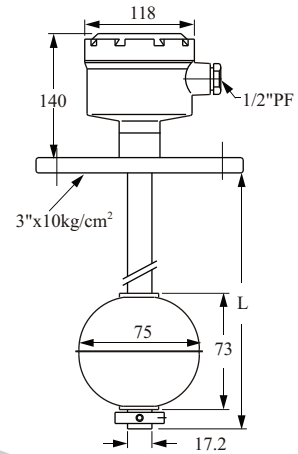
MODEL: RLA(B)BGN4S3(S4)

- Housing material: Aluminum (IP65)
- Connection: 2-1/2"x10kg/cm²
- Tube: 14 SUS304
- Float available: SUS304/316 S3- 45x55 (S4- 52x52)
- Specific gravity: E.>0.5
- Resolution: RLA--- 6.35mm RLB---12.70mm
- Measuring range: Max. 6M
- Total resistance of measuring range: 0~1M
- Output: Resistance of three wires
- Operation temperature: -20~120 C
- Operation pressure: 30 kg/cm²



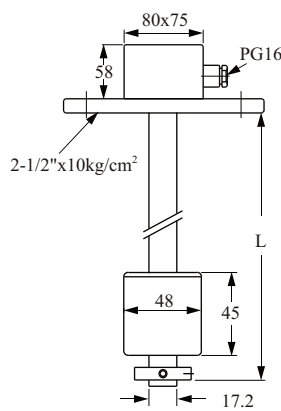
MODEL: RLBBHN7S5(S6)

- Housing material: Aluminum (IP65)
- Connection: 3"x10 kg/cm²
- Tube: 17.2 SUS304
- Float available: SUS304 S5- 75x73 (S6- 75x108)
- Specific gravity: E.>0.45
- Resolution: 12.70mm
- Measuring range: Max. 6M
- Total resistance of measuring range: 0~1M
- Output: Resistance of three wires
- Operation temperature: -20~120 C
- Operation pressure: 30 kg/cm²



MODEL: RLBGGN5P3

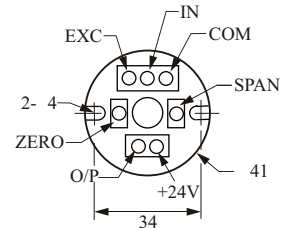
- Housing material: P.C.(IP65)
- Connection: 2-1/2"x10 kg/cm²
- Tube: 17.2 P.P
- Float available: P.P P3- 48x45
- Specific gravity: E.>0.6
- Resolution: 12.70mm
- Measuring range: Max. 6M
- Total resistance of measuring range: 0~1M
- Output: Resistance of three wires
- Operation temperature: -10~80 C
- Operation pressure: 4 kg/cm²



MODEL: PCM-1531

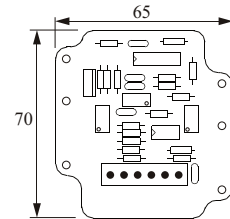
LEVEL TRANSMITTER

- Supply voltage: 13~36V
- Input: 0~1M
- Output: 4~20mA
- Operation temperature: -20~80 C
- Adjustable range: 30%



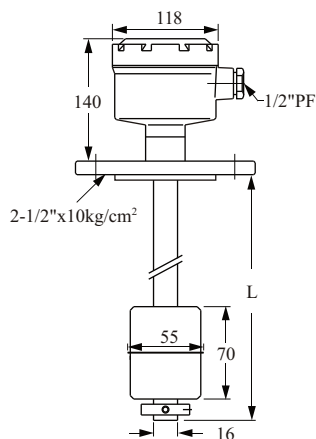
MODEL: PCM-1532

- Supply voltage: 13~36V
- Input: 0~1M
- Output: 4~20mA or 20~4mA
- Operation temperature: -20~80 C
- Adjustable range: 30%



MODEL: RLBCGN6F1

- Housing material: PP+FIBER (IP65)
- Connection: 2-1/2"x10 kg/cm²
- Tube: 16 PVDF
- Float available: PVDF F1- 55x70
- Specific gravity: E.>0.8
- Resolution: 12.70mm
- Measuring range: Max. 6M
- Total resistance of measuring range: 0~1M
- Output: Resistance of three wires
- Operation temperature: -20~120 C
- Operation pressure: 3 kg/cm²

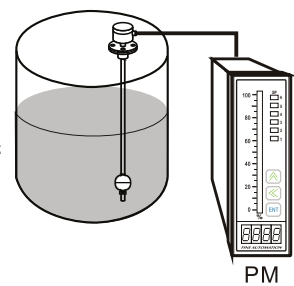


MODEL: PM Series

Panel Meter

- Input Signal: 4~20mA, 0~5V, 0~10V etc.
- Consumption Rating: 10VA(max.)
- Relay Output: 4~6 POINTS SPST
- Contact Current: 3A/250VAC (max.)
- Input Signal: 4~20mA / 2~10VDC, 0~20mA / 0~10VDC etc.
- Digital Display: 4 digit, 101 segment LED bar
- Operating Temp.: 0~55 C
- Power Supply: 85~265VAC 50/60Hz
- Accuracy: 0.1%FS
- Built-in Sensor Supply Voltage: 24VDC (5V, 10V Optional)
- Dimension: 48(W) 144(H), 144(W) 48(H) or 96(W) 48(H)

MAGNETIC FLOAT LEVEL INDICATOR



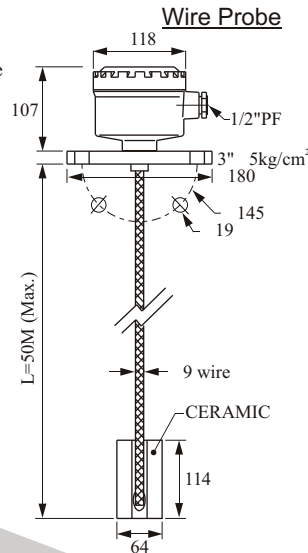
CAPACITANCE LEVEL INDICATOR

LEVEL INDICATOR

with PM Series Panel Meter

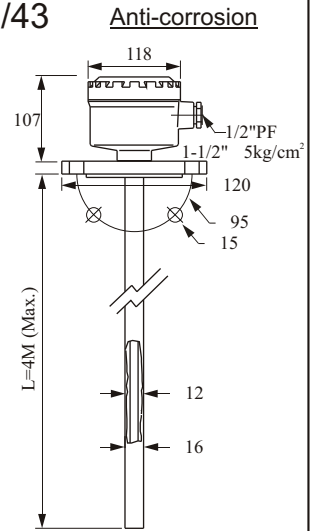
MODEL: MEC-10

1. Housing Material: Aluminum IP65
2. Probe material: SUS 304 cable probe
3. Operation temperature: 0~85 C
4. Output current: 4~20mA.
5. Operation voltage: 24VDC
6. Sensibility: 150pf, 500pf, 1500pf
7. Accuracy: 2%
8. Minimum load Resistance: 300
9. Weight: approx 3.7kg (1M)
10. Tensile strength: 3.5Tf



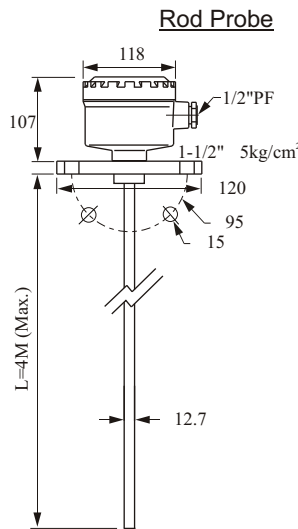
MODEL: MEC-40/42/43

1. Housing Material: Aluminum IP65
2. Probe material: SUS304 probe coated PVDF (MEC-42: PP, MEC-43: PFA)
3. Operation temperature: 0~85 C
4. Output current: 4~20mA.
5. Operation voltage: 24VDC
6. Sensibility: 150pf, 500pf, 1500pf
7. Accuracy: 2%
8. Minimum load Resistance: 300
9. Weight: approx 2.3kg (1M)



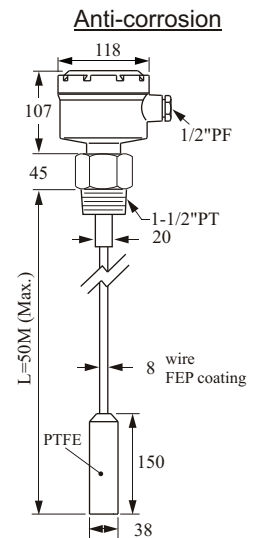
MODEL: MEC-20

1. Housing Material: Aluminum IP65
2. Probe material: SUS 304
3. Operation temperature: 0~85 C
4. Output current: 4~20mA.
5. Operation voltage: 24VDC
6. Sensibility: 150pf, 500pf, 1500pf
7. Accuracy: 2%
8. Minimum load Resistance: 300
9. Weight: approx 2.3kg (1M)



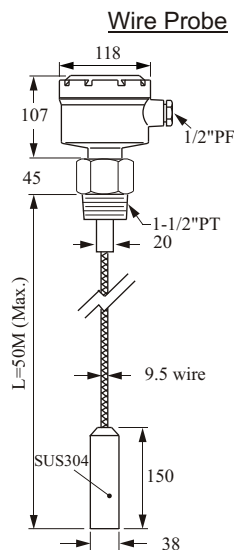
MODEL: MEC-53

1. Housing Material: Aluminum IP65
2. Probe material: SUS304 wire coated PFA
3. Operation temperature: 0~85 C
4. Output current: 4~20mA.
5. Operation voltage: 24VDC
6. Sensibility: 150pf, 500pf, 1500pf
7. Accuracy: 2%
8. Minimum load Resistance: 300
9. Weight: approx 2.3kg (1M)
10. Tensile strength: 1.2Tf



MODEL: MEC-30

1. Housing Material: Aluminum IP65
2. Probe material: SUS 304 cable probe
3. Operation temperature: 0~85 C
4. Output current: 4~20mA.
5. Operation voltage: 24VDC
6. Sensibility: 150pf, 500pf, 1500pf
7. Accuracy: 2%
8. Minimum load Resistance: 300
9. Weight: approx 2.3kg (1M)
10. Tensile strength: 3.5Tf

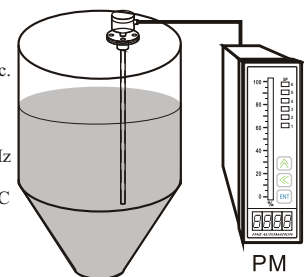


MODEL: PM Series

1. Input Signal: 4~20mA, 0~5V, 0~10V etc.
2. Consumption Rating: 10VA(max.)
3. Relay Output: 4~6 POINTS SPST
4. Contact Current: 3A/250VAC (max.)
5. Input Signal: 4~20mA / 2~10VDC, 0~20mA / 0~10VDC etc.
6. Digital Display: 4 digit, 101 segment LED bar
7. Operating Temp.: 0~55 C
8. Power Supply: 85~265VAC 50/60Hz
9. Accuracy: 0.1%FS
10. Built-in Sensor Supply Voltage: 24VDC (5V, 10V Optional)
11. Dimension: 48(W) 144(H), 144(W) 48(H) or 96(W) 48(H)

Panel Meter

CAPACITANCE LEVEL INDICATOR



PRESSURE LEVEL INDICATOR

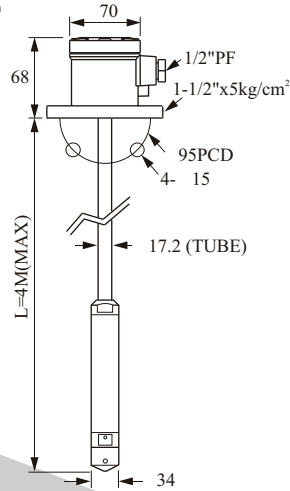
LEVEL INDICATOR

with PM Series Panel Meter

MODEL: PCS-10

Extension Tube(Flange)

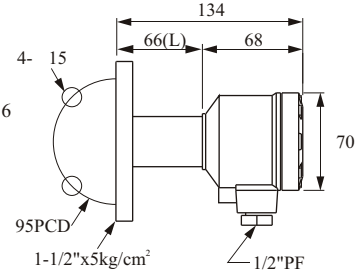
1. Housing material: Aluminum, IP65
2. Ranges: 0.1, 0.2, 0.4 Bar (1~4M)
3. Linearity: 0.3%FS
4. Long term stability: <0.1%
5. Operating temp: -10~80 C
6. Supply voltage: 13~36VDC
7. Output: 4~20mA
8. Connection: 1-1/2"x5kg/cm²
9. Wetted material: SUS 304/316
10. Weight: approx 4.2kg (1M)



MODEL: PCS-21

Flange Standard

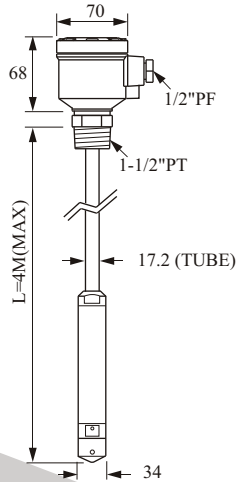
1. Housing material: Aluminum, IP65
2. Ranges: 0.1, 0.2, 0.5, 1, 2, 5, 10 Bar (1~100M)
3. Linearity: 0.3%FS
4. Long term stability: <0.1%
5. Operating temp: -10~80 C
6. Supply voltage: 13~36VDC
7. Output: 4~20mA
8. Connection: 1-1/2"x5kg/cm²
9. Wetted material: SUS 304/316
10. Weight: approx 1.5kg (1M)



MODEL: PCS-11

Extension Tube(Screw)

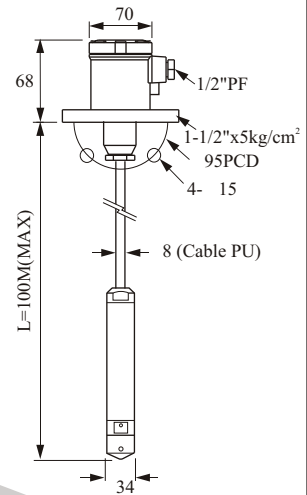
1. Housing material: Aluminum, IP65
2. Ranges: 0.1, 0.2, 0.4 Bar (1~4M)
3. Linearity: 0.3%FS
4. Long term stability: <0.1%
5. Operating temp: -10~80 C
6. Supply voltage: 13~36VDC
7. Output: 4~20mA
8. Connection: 1-1/2"PT
9. Wetted material: SUS 304/316
10. Weight: approx 4kg (1M)



MODEL: PCS-30

Extension Cable(Flange)

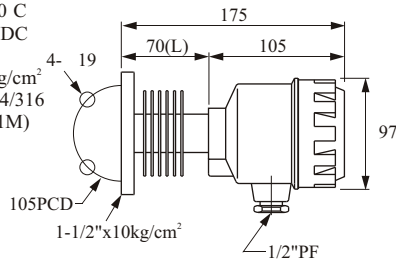
1. Housing material: Aluminum, IP65
2. Ranges: 0.1, 0.2, 0.5, 1, 2, 5, 10 Bar (1~100M)
3. Linearity: 0.3%FS
4. Long term stability: <0.1%
5. Operating temp: -10~80 C
6. Supply voltage: 13~36VDC
7. Output: 4~20mA
8. Connection: 1-1/2"x5kg/cm²
9. Wetted material: SUS 304/316
10. Weight: approx 2.8kg (1M)



MODEL: PCS-20

Hi-Temp.(Flange)

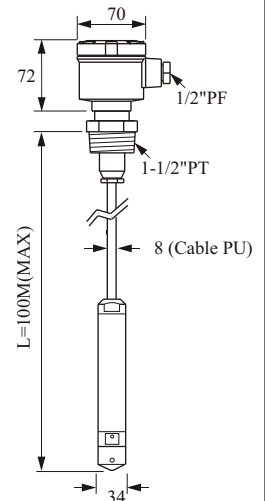
1. Housing material: Aluminum, IP65
2. Ranges: 0.1, 0.2, 0.5, 1, 2, 5, 10 Bar (1~100M)
3. Linearity: 0.3%FS
4. Long term stability: <0.1%
5. Operating temp: -10~150 C
6. Supply voltage: 13~36VDC
7. Output: 4~20mA
8. Connection: 1-1/2"x10kg/cm²
9. Wetted material: SUS 304/316
10. Weight: approx 1.8kg (1M)



MODEL: PCS-31

Extension Cable(Screw)

1. Housing material: Aluminum, IP65
2. Ranges: 0.1, 0.2, 0.5, 1, 2, 5, 10 Bar (1~100M)
3. Linearity: 0.3%FS
4. Long term stability: <0.1%
5. Operating temp: -10~80 C
6. Supply voltage: 13~36VDC
7. Output: 4~20mA
8. Connection: 1-1/2"PT
9. Wetted material: SUS 304/316
10. Weight: approx 2.9kg (1M)



PRESSURE LEVEL INDICATOR

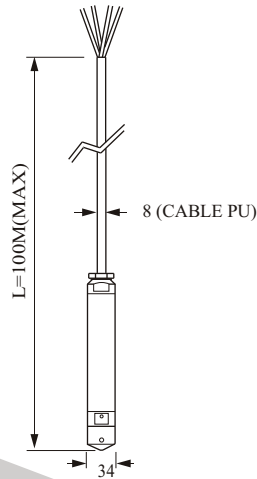
LEVEL INDICATOR

with PM Series Panel Meter

MODEL: PCS-32

1. Housing material: Aluminum, IP65
2. Ranges: 0.1, 0.2, 0.5, 1, 2, 5, 10 Bar (1~100M)
3. Linearity: 0.3%FS
4. Long term stability: <0.1%
5. Operating temp: -10~80 C
6. Supply voltage: 13~36VDC
7. Output: 4~20mA
8. Wetted material: SUS 304/316
9. Weight: approx 0.8kg (1M)

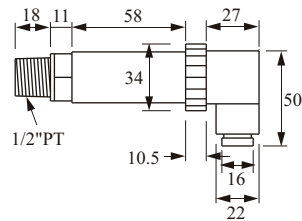
Extension Cable



MODEL: PCS-50

1. Housing material: SUS304/316, IP65
2. Ranges: 0.1, 0.2, 0.5, 1, 2, 5, 10, 20, 50, 100 Bar
3. Linearity: 0.3%FS
4. Long term stability: <0.1%
5. Operating temp: -10~80 C
6. Supply voltage: 13~36VDC
7. Output: 4~20mA
8. Connection: 1/2"PT
9. Wetted material: SUS 304/316
10. Weight: approx 250g

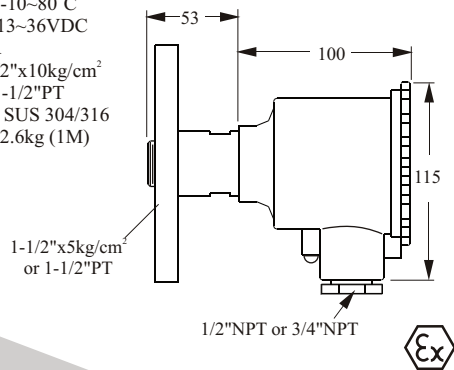
Pressure Transducer



MODEL: PCS-75

1. Housing material: SUS304 Ex d IIB T4
2. Ranges: 0.1~100 Bar
3. Linearity: 0.3%FS
4. Long term stability: <0.1%
5. Operating temp: -10~80 C
6. Supply voltage: 13~36VDC
7. Output: 4~20mA
8. Connection: 1-1/2"x10kg/cm² or 1-1/2"PT
9. Wetted material: SUS 304/316
10. Weight: approx 2.6kg (1M)

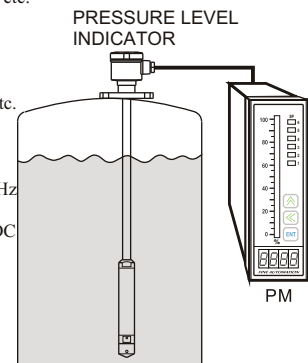
Pressure Transducer Explosion Proof



MODEL: PM Series

Panel Meter

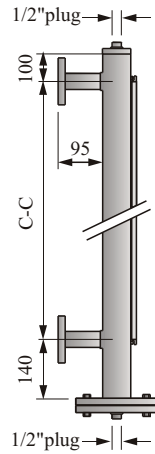
1. Input Signal: 4~20mA, 0~5V, 0~10V etc.
2. Consumption Rating: 10VA(max.)
3. Relay Output: 4~6 POINTS SPST
4. Contact Current: 3A/250VAC (max.)
5. Input Signal: 4~20mA / 2~10VDC, 0~20mA / 0~10VDC etc.
6. Digital Display: 4 digit, 101 segment LED bar
7. Operating Temp.: 0~55 C
8. Power Supply: 85~265VAC 50/60Hz
9. Accuracy: 0.1%FS
10. Built-in Sensor Supply Voltage: 24VDC (5V, 10V Optional)
11. Dimension: 48(W) 144(H), 144(W) 48(H) or 96(W) 48(H)



BY-PASS LEVEL INDICATOR

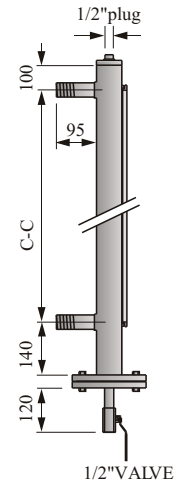
MODEL: BP B1H

1. Top end: Flat top with 1/2"PT plug
2. Connection flanges: 3/4"x10kg/cm²
3. Bottom end: Dual flanges with 1/2"PT plug
4. C-C distance: Min. 150 mm (SUS) Max. 5800 mm (plastic) Max. 3800 mm
5. Pressure range: PP, PVDF-- 5kg/cm² SUS-----25kg/cm²
6. Temp. of the liquid: SUS304--140 C, 200 C, 400 C SUS316--140 C, 200 C, 400 C PP-----80 C PVDF-----120 C



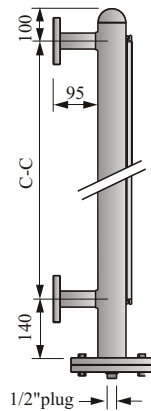
MODEL: BP B2K

1. Top end: Flat top with 1/2"PT plug
2. Connection pipe: 3/4"PT
3. Bottom end: Dual flanges with 1/2" drain valve
4. C-C distance: Min. 150 mm (SUS) Max. 5800 mm (plastic) Max. 3800 mm
5. Pressure range: PP, PVDF-- 5kg/cm² SUS-----20kg/cm²
6. Temp. of the liquid: SUS304--140 C, 200 C, 350 C SUS316--140 C, 200 C, 350 C PP-----80 C PVDF-----120 C



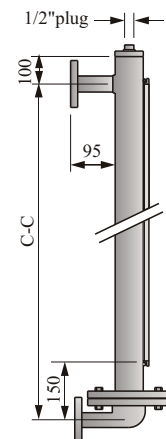
MODEL: BP A1H

1. Top end: Cap
2. Connection flanges: 3/4"x10kg/cm²
3. Bottom end: Dual flanges with 1/2"PT plug
4. C-C distance: Min. 150 mm (SUS) Max. 5800 mm
5. Pressure range: SUS-- 25kg/cm²
6. Temp. of the liquid: SUS304--140 C, 200 C, 400 C SUS316--140 C, 200 C, 400 C



MODEL: BP B1L

1. Top end: Flat top with 1/2"PT plug
2. Connection flanges: 3/4"x10kg/cm²
3. Bottom end: Dual flange with angle pipe
4. C-C distance: Min. 400 mm (SUS) Max. 5800 mm
5. Pressure range: SUS-- 25kg/cm²
6. Temp. of the liquid: SUS304--140 C, 200 C, 400 C SUS316--140 C, 200 C, 400 C

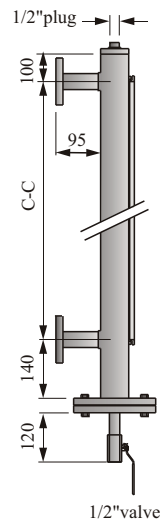


PATENTS
Taiwan: New model 135002

GL CR ABS

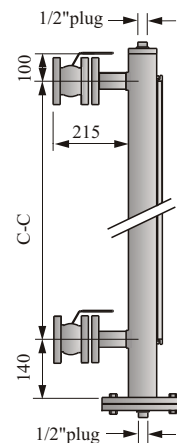
MODEL: BP B1K

1. Top end: Flap top with 1/2"PT plug
2. Connection flanges: 3/4"x10kg/cm²
3. Bottom end: Dual flanges with 1/2" drain valve
4. C-C distance: Min. 150 mm (SUS) Max. 5800 mm (plastic) Max. 3800 mm
5. Pressure range: PP, PVDF-- 5kg/cm² SUS-----20kg/cm²
6. Temp. of the liquid: SUS304--140 C, 200 C, 350 C SUS316--140 C, 200 C, 350 C PP-----80 C PVDF-----120 C



MODEL: BP B7H

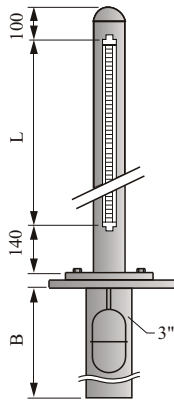
1. Top end: Flat top with 1/2"PT plug
2. Connection flanges: 3/4"x10kg/cm²
3. Ball valves: 3/4"x10kg/cm²
4. Bottom end: Dual flanges with 1/2"PT plug
5. C-C distance: Min. 150 mm (SUS) Max. 5800 mm (plastic) Max. 3800 mm
5. Pressure range: PP, PVDF-- 5kg/cm² SUS-----10kg/cm²
6. Temp. of the liquid: SUS304--140 C, 200 C, 350 C SUS316--140 C, 200 C, 350 C PP-----80 C PVDF-----120 C



BY-PASS LEVEL INDICATOR

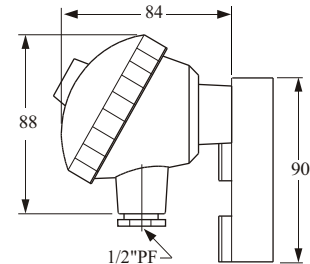
MODEL: BP A5M

1. Top end: Cap
2. Bottom end: Dual flanges with tube
3. Pressure range:
SUS-----25kg/cm²
4. Temp. of the liquid:
SUS304--140 C, 200 C, 400 C
SUS316--140 C, 200 C, 400 C



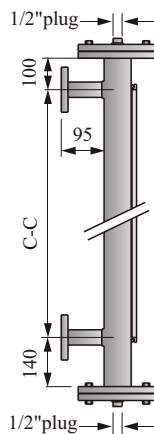
MODEL: BPB-1250 (BK-025) Standard BPB-1260 (BK-026)

1. Housing material:
Aluminum (IP65)
2. Switch Component:
Reed Switch
3. Switch Form:
BPB-1250, 1AB Hold type
BPB-1260, 1AB Normal type
4. Contact rating:
1A/30W/200VDC
5. Operate Temp.:
-20~150 C (max. 250 C)



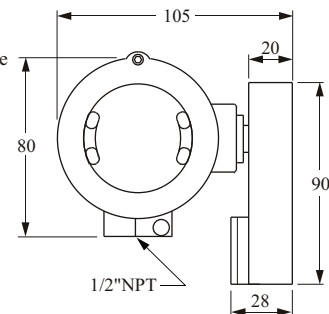
MODEL: BP C1H

1. Top end:
Dual flanges with 1/2"PT plug
2. Connection flanges:
3/4"x10kg/cm²
3. Bottom end:
Dual flange with 1/2"PT plug
4. C-C distance: Min. 150 mm
(SUS) Max. 5800 mm
(plastic) Max. 3800 mm
5. Pressure range:
PP, PVDF-- 5kg/cm²
SUS--25kg/cm²(Max. 50kg/cm²)
6. Temp. of the liquid:
SUS304--140 C, 200 C, 400 C
SUS316--140 C, 200 C, 400 C
PP-----80 C
PVDF-----120 C



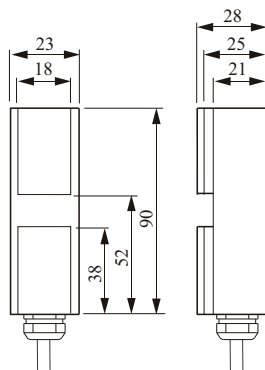
MODEL: BPB-1300 (BK-030) Explosion BPB-1310 (BK-031) -proof

1. Housing material:
Aluminum (EEx d IIC T6)
2. Switch Component:
Reed Switch
3. Switch Form:
BPB-1300, 1AB Hold Type
BPB-1310, 1AB Normal Type
4. Contact rating:
1A/30W/200VDC
5. Operate Temp.:
-20~80 C (max. 250 C)



MODEL: BPB-1220 (BK-022) Economy BPB-1230 (BK-023)

1. Housing material:
Aluminum (IP67)
2. Switch component:
Reed Switch
3. Switch Form:
BK-1220, 1AB Hold type
BK-1230, 1AB Normal type
4. Contact rating:
1A/30W/200VDC
5. Operate Temp.:
-20~200 C (tank inside temp.)
6. Cable Length:
1M (Silicon Cable)

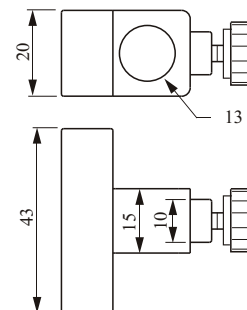


Wiring:

Black-COM, Brown-NC, Blue-NO,
Yellow/Green-Ground

MODEL: BK-14 (BK-04) Adjustable

1. Housing material:
P.P (IP67)
2. Switch Component:
Reed Switch
3. Switch Form:
BK-1400, 1A Hold type
BK-1410, 1A Normal type
BK-1420, 1AB Hold type
BK-1430, 1AB Normal type
BK-1450, 1A Hold type (LED)
4. Contact rating:
1A/30W/200VDC
5. Operate Temp.:
-20~140 C (tank inside temp.)
6. Cable Length:
2M (PVC Cable)



Wiring:

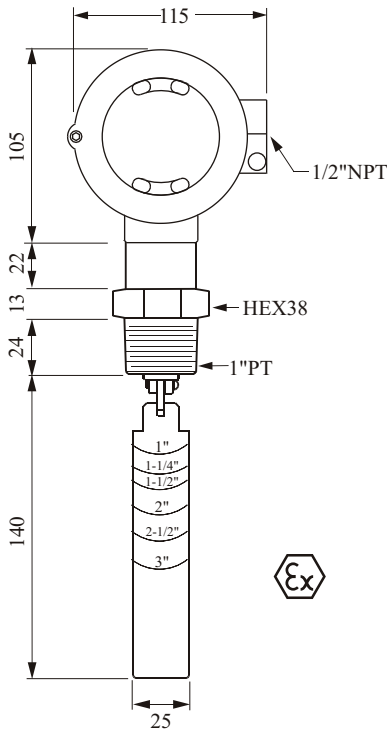
Red-COM, White-NO (BPB-1400 / 1410 / 1450)
Black-COM, Red-NC, White-NO (BPB-1420 / 1430)

FLOW SWITCH

MODEL: FS-71

Explosion-proof Type

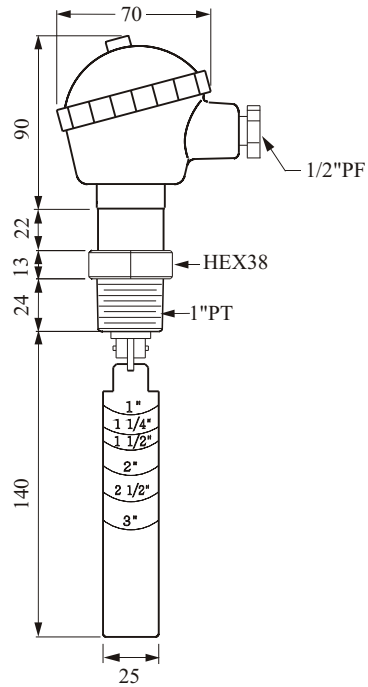
1. Material:
Housing material: SUS304/SUS316 (EEx d IIC T6)
Paddle material: SUS 304
2. Operating temperature: -30~100 C
3. Operating pressure max.: 355 PSIG
4. Pressure drop allowance: 3 PSIG
5. Set point tolerance: 25%
6. Repeatability difference: 5%
7. Contact rating: SPDT, 1A 30W/200VDC
8. Connection: 1"PT screw
9. Weight: approx. 1kg



MODEL: FS-80

Standard Type

1. Material:
Housing material: Aluminum Alloy (IP65)
Paddle material: SUS 304
2. Operating temperature: -30~150 C
3. Operating pressure Max.: 2000 PSIG
4. Pressure drop allowance: 3 PSIG
5. Set point tolerance: 25%
6. Repeatability difference: 5%
7. Contact rating: SPDT, 1A 30W/200VDC
8. Connection: 1"PT screw
9. Weight: approx. 850g

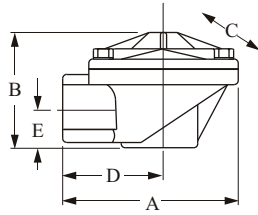


We reserve the right to modify our item's profile shape, color, internal mechanism if necessary to meet customer's satisfaction without announcement in advance.

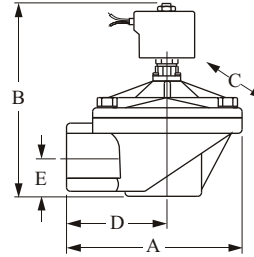
The total length of item will be allowed for a tolerance of 5mm.

VALVE AND CONTROLLER FOR DUST COLLECTOR SYSTEM

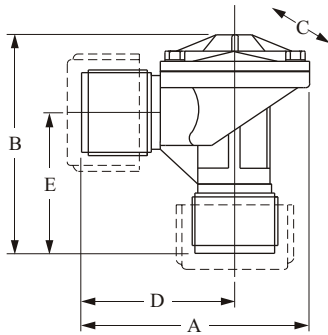
MODEL: RDA-SC



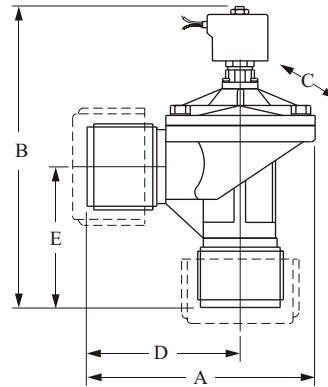
MODEL: RDA-SC



MODEL: RDA-NC



MODEL: RDA-NC



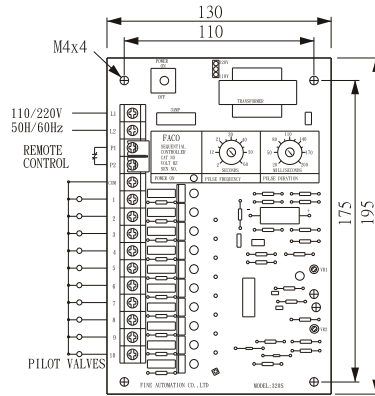
Valve	ORIFICE		A		B		C Width		D		E		Cv Factor	Weight (kg)
	inch	mm	inch	mm	inch	mm	inch	mm	inch	mm	inch	mm		
RDA20SC	3/4"	20	3.95	100	2.97	75	3.44	87	2.19	56	0.78	20	11.2	0.51
RDA25SC	1"	25	4.13	105	3	76	3.25	83	2.50	64	0.87	22	18.5	0.4
RDA40SC	1-1/2"	40	3.95	130	4.91	125	4.38	111	4.5	75	1.28	36	43	0.91
RDA20NC	3/4"	20	4.41	112	4	102	3.44	87	2.63	67	1.78	45	11.2	0.62
RDA25NC	1"	25	4.62	117	5	127	3.25	83	3	76	2.75	70	18.5	0.96
RDA20SC	3/4"	20	3.95	100	5.62	143	3.44	87	2.19	56	0.78	20	11.2	0.79
RDA25SC	1"	25	4.13	105	5.66	144	3.25	83	2.50	64	0.87	22	18.5	0.68
RDA40SC	1-1/2"	40	3.95	130	6.49	165	4.38	111	4.5	76	1.28	36	43	1.19
RDA20NC	3/4"	20	4.41	112	6.69	170	3.43	87	2.63	67	1.87	45	11.2	0.9
RDA25NC	1"	25	4.62	117	7.40	188	3.25	83	3	76	2.75	70	18.5	1.24

Please select and fill from 1~3 for Spec. of (1: 110VAC 2: 220VAC 3: 24VDC)

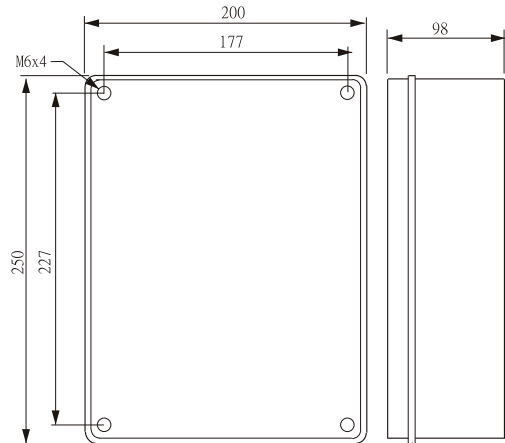
VALVE AND CONTROLLER FOR DUST COLLECTOR SYSTEM

MODEL: MOD-320S (+CASE OPTION)

1. Supply voltage: 110V or 220V 10%, 50/60Hz
2. Pulse Frequency Range of Adjustability: 2~60 sec.
3. Fuse: 3A 250VAC
4. Pulse Duration Range of Adjustability: 20~200 ms
5. Number of sequenced steps: 2~10 steps
6. Operating Temp: 0~60 C
7. PCB Weight: approx 0.29kg
8. Case Weight: approx 0.57kg

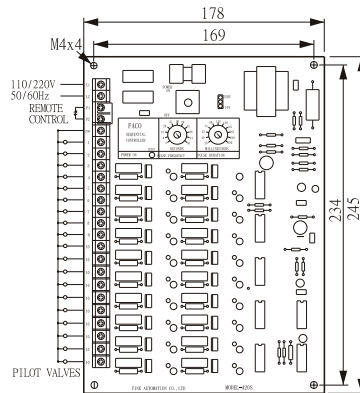


CASE

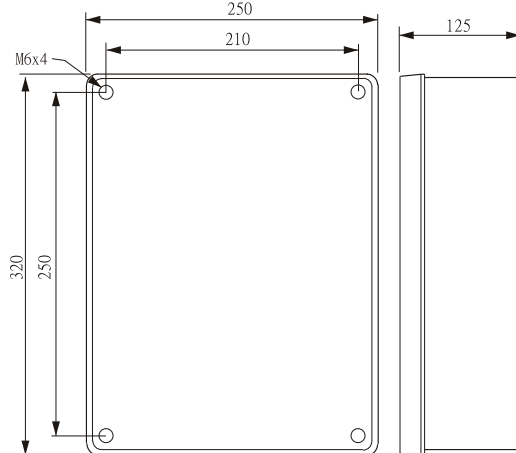


MODEL: MOD-420S (+CASE OPTION)

1. Supply voltage: 110V or 220V 10%, 50/60Hz
2. Pulse Frequency Range of Adjustability: 2~60 sec.
3. Fuse: 3A 250VAC
4. Pulse Duration Range of Adjustability: 20~200 ms
5. Number of sequenced steps: 10~20 steps
6. Operating Temp: 0~60 C
7. PCB Weight: approx 0.48kg
8. Case Weight: approx 1.6kg

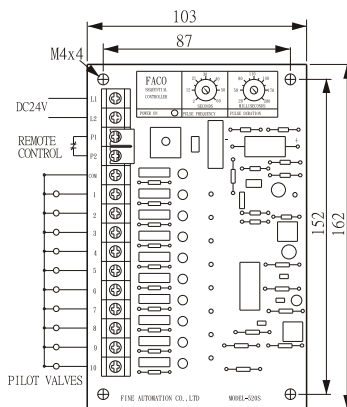


CASE

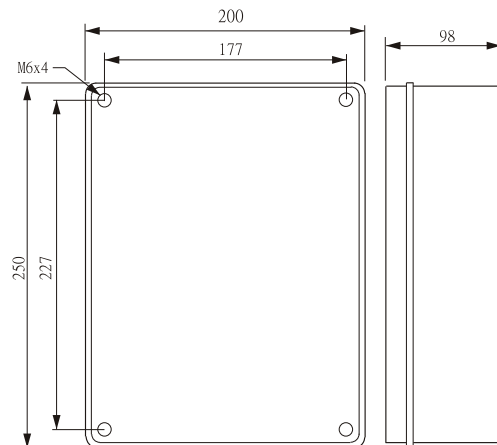


MODEL: MOD-520S (+CASE OPTION)

1. Supply voltage: 24VDC
2. Pulse Frequency Range of Adjustability: 2~60 sec.
3. Fuse: 3A 250VAC
4. Pulse Duration Range of Adjustability: 20~200 ms
5. Number of sequenced steps: 2~10 steps
6. Operating Temp: 0~60 C
7. PCB Weight: approx 0.13kg
8. Case Weight: approx 0.57kg



CASE



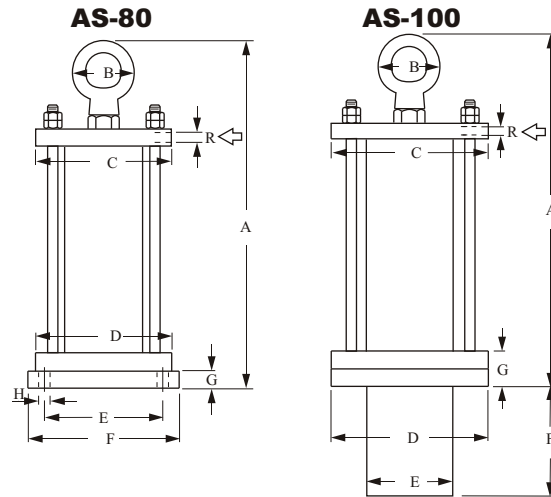
AIR HAMMER

AS Series

Model	Pressure Used	Air Consumption	Impact Power	Weight
AS-80	4-5 kg/cm ²	0.46 /e.t.	20.8 kg.m/s	19 kg
AS-100	5-7 kg/cm ²	1.01 /e.t.	30 kg.m/s	35 kg

e.t. : every time

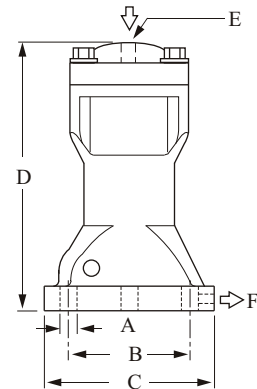
Model	A	B	C	D	E	F	G	H	R
AS-80	400	70	155	155	134	172	17	13.5	3/8"
AS-100	590	70	210	210	170	210	46	21	3/8"



AH Series (Single Impact)

The single impact model of Air Hammer is focused on limited target. Other equipment of target has been little affected by it. Air Hammer impact won't separate water out of humid mixtures. It is often applied onto pipe or elbow clean and tank filled with humidity or small S.G. Material.

Type	A	B	C	D	E	F	Useful pressure	Air consumption	Impact	Weight
AH-30	9	60	80	138	1/4" PT	1/8" PT	3~6 kg/cm ²	0.028 /e.t.	1.0 kg.m/s	1.1kg
AH-40	11	75	100	166	1/4" PT	1/8" PT	3~6 kg/cm ²	0.082 /e.t.	2.8 kg.m/s	1.8kg
AH-60	15	105	140	208	1/4" PT	1/8" PT	4~7 kg/cm ²	0.228 /e.t.	7.4 kg.m/s	4.0kg
AH-80	19	140	172	269	3/8" PT	1/4" PT	4~7 kg/cm ²	0.455 /e.t.	12.5 kg.m/s	8.4kg



VP Series (Reciprocate)

Type	A	B	C	D	E	F
VP-30C/S	9	60	80	138	1/8" PT	1/8" PT
VP-40C/S	11	75	100	166	1/4" PT	1/8" PT
VP-60C/S	15	105	140	208	1/4" PT	1/8" PT

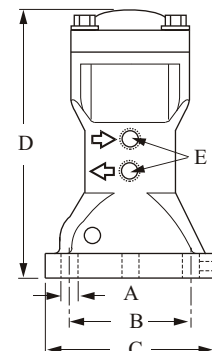
VP-C Piston Vibrator (Air Cushioned Model)

Air cushioned type, low noise character. It is suitable for quiet area application; a good solution to clog stick onto tank wall and material delivery problem. Also, it can be designed to apply on vibrating separator, conveyer.

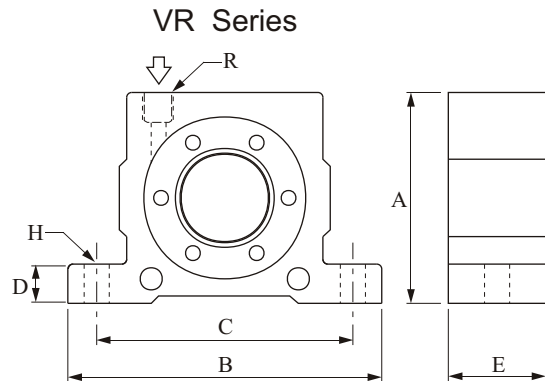
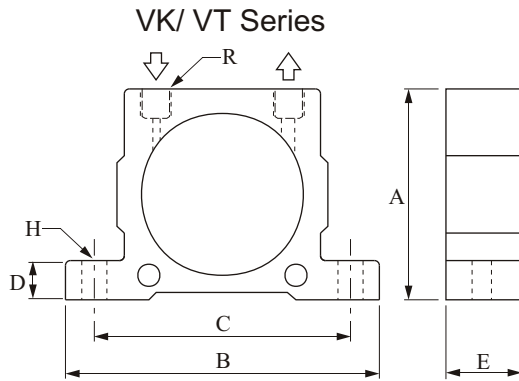
VP-S Piston Vibrator (Impact model)

Piston impact types can get rid of rust, material accumulated inside pipe. Direct impact on tank with low S.G and high moisture material inside, material build-up, pipe clog or rust.

Type	Frequency (V.P.M.)			Force (N)			Air consumption (/ min)	weight
	2kg/cm ²	4kg/cm ²	6kg/cm ²	2kg/cm ²	4kg/cm ²	6kg/cm ²		
VP-30C	1765	2308	2857	195	380	560	230	0.9 kg
VP-40C	1333	1677	1875	275	531	715	249	1.9 kg
VP-60C	1000	1200	1340	404	780	1030	269	4.5 kg
VP-30S	1973	2885	3571	8086	13542	17776	250	1.0 kg
VP-40S	1744	2459	3000	14443	21948	26904	270	2.1 kg
VP-60S	1277	1875	1973	15434	34692	36816	300	4.8 kg



AIR VIBRATOR



VK Pneumatic Ball Vibrator

Type	Frequency (V.P.M.)			Force (N)		
	2Bar 29PSI	4Bar 58PSI	6Bar 87PSI	2Bar 29PSI	4Bar 58PSI	6Bar 87PSI
VK-10	22,500	28,000	34,000	250	470	710
VK-13	15,000	18,500	22,500	320	550	870
VK-16	13,000	17,000	19,500	450	800	1,100
VK-20	10,500	14,500	16,500	720	1,220	1,720
VK-25	9,200	12,200	14,000	930	1,570	2,050
VK-32	7,800	9,700	12,500	1,510	2,470	3,210
VR-50	25,000	35,000	36,000	1,070	2,920	4,220
VR-65	19,000	21,000	26,000	2,730	4,830	6,120
VR-80	15,500	18,500	19,000	3,000	6,090	7,450
VR-100	11,000	14,000	16,000	3,750	6,750	8,900

VR Pneumatic Roller Vibrator

Type	A	B	C	D	E	H	R
VK-10	51	86	68	12	20	7	1/4"PT
VK-13	67	113	90	16	24	9	1/4"PT
VK-16	67	113	90	16	27	9	1/4"PT
VK-20	83	128	104	16	33	9	1/4"PT
VK-25	83	128	104	16	38	9	1/4"PT
VK-32	103	160	130	20	44	11	3/8"PT
VR-50	54	86	68	12	29	7	1/8"PT
VR-65	67	113	90	16	37	9	1/4"PT
VR-80	83	128	104	16	42.5	9	1/4"PT
VR-100	103	160	130	20	52	11	3/8"PT

Unit= mm

VT Pneumatic turbine Vibrator


Type	Frequency (V.P.M.)			Force (N)		
	2Bar 29PSI	4Bar 58PSI	6Bar 87PSI	2Bar 29PSI	4Bar 58PSI	6Bar 87PSI
VT-10	27,500	35,000	37,500	840	1,390	2,400
VT-13	26,000	30,000	33,000	1,400	2,440	3,730
VT-16	17,000	21,500	24,000	1,220	2,090	3,160
VT-20	17,000	20,000	23,000	2,170	4,040	5,520
VT-25	12,000	15,500	17,000	2,120	3,510	5,070
VT-32	13,000	14,000	16,000	3,380	5,430	7,540

Type	A	B	C	D	E	H	R
VT-10	51	86	68	12	33	7	1/4"PT
VT-13	67	113	90	16	42	9	1/4"PT
VT-16	67	113	90	16	42	9	1/4"PT
VT-20	83	128	104	16	56	9	1/4"PT
VT-25	83	128	104	16	56	9	1/4"PT
VT-32	103	160	130	20	73	11	3/8"PT

THERMOCOUPLE & THERMOMETER

THERMOCOUPLE 
 RESISTANCE BULB 

 K TYPE

 PT 100

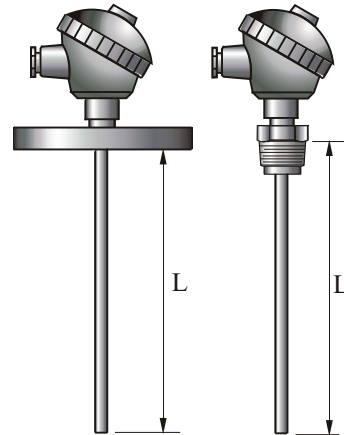
MODEL: TKEA

1. Operating Temp.: 0~1200 C
 2. Class Tolerance: JIS 0.75grade
0.0075 t
 3. Protective Grade: IP65
 4. Connection: 1", 1-1/2" 5kg/cm²
1/2"PT, 3/4"PT
 5. Tube diameter: 5, 6, 8, 9.5
 6. Material: SUS304/316, Titanium
 7. Isolation resistance: 1000M /500V
 8. Wire: Nickel-Aluminum
Nickel-Chromium
- T, C, J type are optional.


MODEL: TPEA

1. Operating Temp.: -50~500 C
 2. Class Tolerance: IEC751 CLASS B
0.3 0.005 t
 3. Protective Grade: IP65
 4. Connection: 1", 1-1/2" 5kg/cm²
1/2"PT, 3/4"PT
 5. Tube diameter: 8, 12.7, 17.2
 6. Material: SUS304/316, Titanium
 7. Isolation resistance: 1000M /500V
- PT100 is optional.

STANDARD



 K TYPE

 PT 100

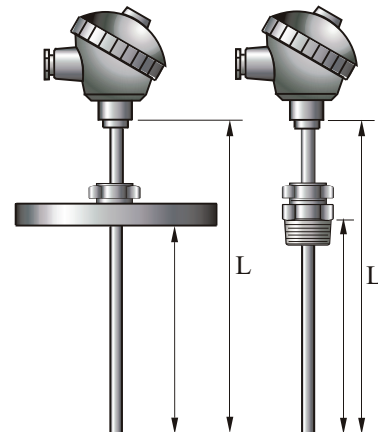
MODEL: TKEB

1. Operating Temp.: 0~1200 C
 2. Class Tolerance: JIS 0.75grade
0.0075 t
 3. Protective Grade: IP65
 4. Connection: 1", 1-1/2" 5kg/cm²
1/2"PT, 3/4"PT
 5. Tube diameter: 5, 6, 8, 9.5
 6. Material: SUS304/316, Titanium
 7. Isolation resistance: 1000M /500V
 8. Wire: Nickel-Aluminum
Nickel-Chromium
- T, C, J type are optional.


MODEL: TPEB

1. Operating Temp.: -50~500 C
 2. Class Tolerance: IEC751 CLASS B
0.3 0.005 t
 3. Protective Grade: IP65
 4. Connection: 1", 1-1/2" 5kg/cm²
1/2"PT, 3/4"PT
 5. Tube diameter: 8, 12.7, 17.2
 6. Material: SUS304/316, Titanium
 7. Isolation resistance: 1000M /500V
- PT100 is optional.

ADJUSTABLE



 K TYPE

 PT 100

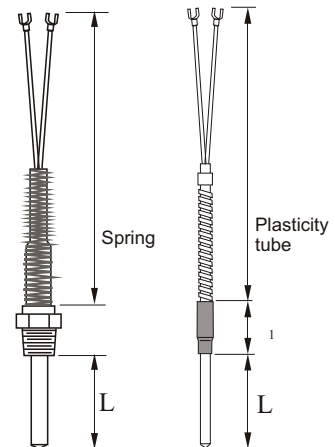
MODEL: TK-F

1. Operating Temp.: 0~480 C
 2. Class Tolerance: JIS 0.75grade
0.0075 t
 3. Protective Grade: IP44
 4. Connection: 1/4"PT
 5. Tube diameter: 6, 17.2
 6. Material: SUS304/316, Titanium, PTFE
 7. Isolation resistance: 1000M /500V
 8. Wire: Nickel-Aluminum
Nickel-Chromium
 9. Compensating Lead Wire:
Isolated Cable
PVC Cable
- T, C, J type are optional.

MODEL: TP-G

1. Operating Temp.: -50~250 C
 2. Class Tolerance: IEC751 CLASS B
0.3 0.005 t
 3. Protective Grade: IP44
 4. Connection: 1/4"PT
 5. Tube diameter: 6, 17.3
 6. Material: SUS304/316, PP, PTFE
 7. Isolation resistance: 1000M /500V
 9. Compensating Lead Wire:
PTFE Silver Wire
PTFE Copper Wire
PVC Cable
- PT100 is optional.

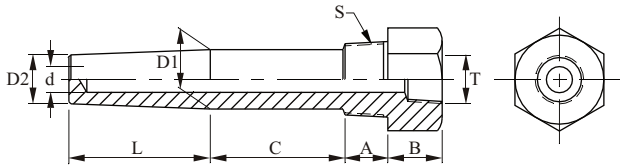
ECONOMICAL



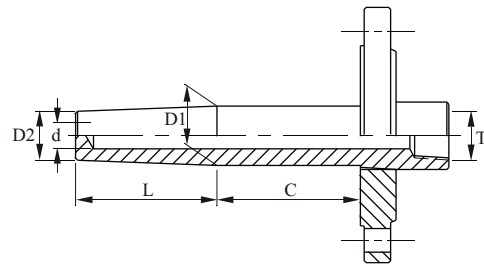
THERMOCOUPLE & THERMOMETER

THERMOWELL

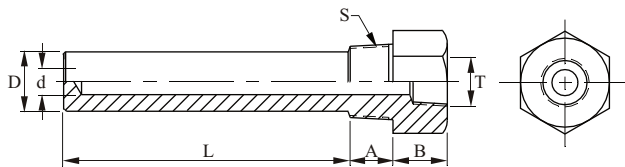
MODEL: TWTT (Screw Type)



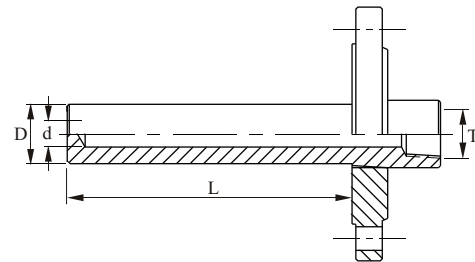
MODEL: TWFT (Flange Type)



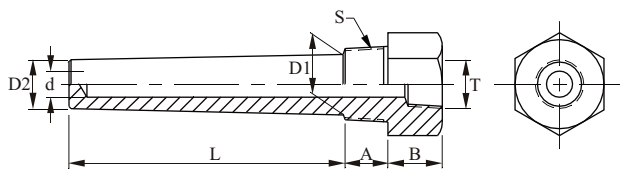
MODEL: TWTD (Screw Type)



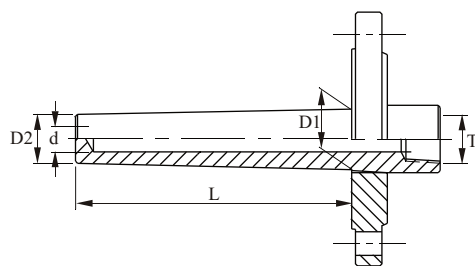
MODEL: TWFD (Flange Type)



MODEL: TWTC (Screw Type)



MODEL: TWFC (Flange Type)



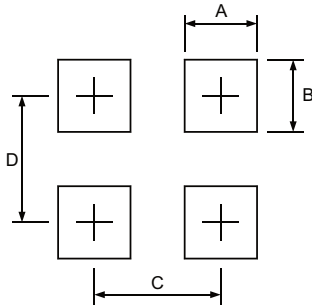
※ All the dimension can be specify by user to order a thermowell to suit his need

MICROPROCESSOR TEMPERATURE CONTROLLER

FEATURES

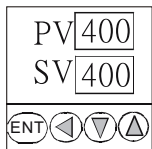
- Multi input choice, resistance or mV chosen by customer needs. Resolution up to 14 bit.
- Two outputs, PID or FUZZY mode are selectable.
- Three alarm setting. 17 modes can be chosen for every setting.
- SCR driving function.
- RS232 or RS485 communication port.
- Dialogue designation, easy to understand. Customers don't need to look up the instruction.
- Self-diagnostic error message.
- Auto Zero and Auto Span function will make its accuracy to stand long time operation.
- Access code (LCK parameter) to protect the user setting; Output percentage can be adjusted.
- Two temperature programming patterns can be chosen, each pattern includes eight setting points.
- The setting value can be set by input 2 while it was set as remote mode.

Power Supply		85~265VAC / 10~50VDC
environment Temp	Operating condition	0~50 C (45 to 80% RH not dew)
	Storage condition	-25~65 C (50 to 85% not dew)
Input Signal	Thermocouple	K, T, R, S, B, J, E, N, L, W, U
	Resistance	(PT100 IEC), (PT100 JIS)
	voltage(DC)	-10~10mV, 0~50mV
	Current(DC)	0~20mA, 4~20mA
Measuring function	Measuring accuracy	Thermocouple 0.3% 1 digit or 2 C
		Resistance 0.3% 1 digit or 0.8 C
		Cuurrent(DC) 0.3% 1 digit
Isolation	Input	500 VDC / 10 M ,
	Output	500 VDC / 10 M ,
Main Control output	Relay contact	3A/ 240 VAC
	Voltage pulse output	20 VDC
	Current output	4~20mA, 0~20mA,
	SSR	1 3
Alarm output	Relay	3A / 240VAC
Communication Port		RS 232 or RS 485
Communication band rate		100, 300, 1200, 2400, 4800, 9600, bps
Weight		TM400: 150g, TM600: 150g, TM700: 250g, TM800: 250g, TM900: 320g

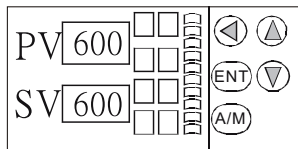


Unit : mm

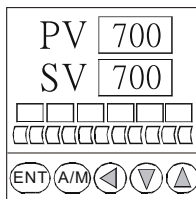
Type	A	B	C	D
TM400	44.5+0.5	44.5+0.5	65	70
TM600	90.5+0.5	44.5+0.5	111	70
TM700	68.5+0.5	68.5+0.5	89	94
TM800	44.5+0.5	90.5+0.5	65	116
TM900	90.5+0.5	90.5+0.5	111	116



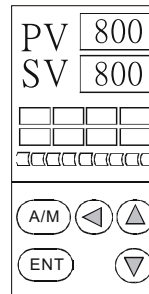
TM400



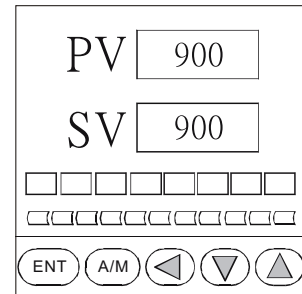
TM600



TM700



TM800



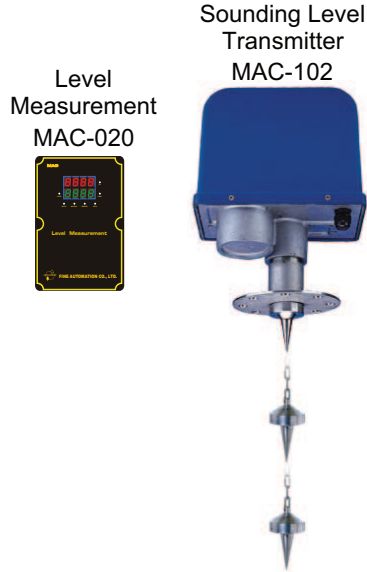
TM900

ELECTROMECHANICAL LEVEL MEASURING SYSTEM

MAC122 Electromechanical Level Measuring System includes:
 MAC-102 Sounding Level Transmitter
 MAC-020 Level Measurement

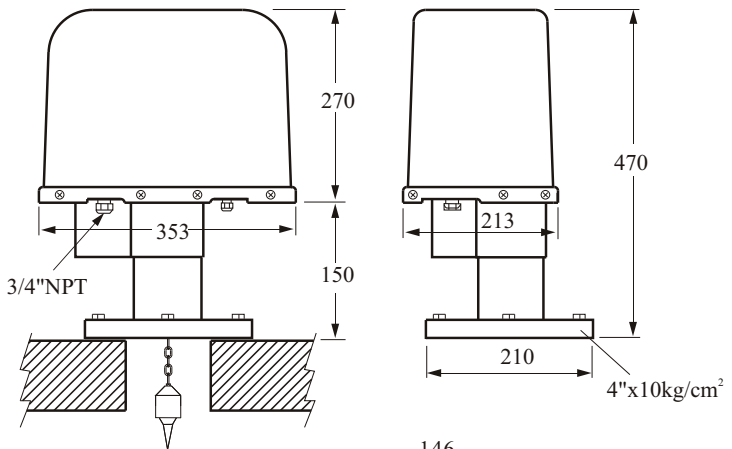
The main characters:

1. Controlled by microprocessor, it has multifunction and easy to realize.
2. It can be set up two alarms for high and low. The output contact is 3A/250V SPDT.
3. LED display can indicate the level position or percentage of the material in the container. The upper display indicates percentage value; ton/ meter. The lower display is to show the height of the material level in the container; meter/inch/feet.
4. One set 4~20mA analog output.
5. Cable broken alarm: If steel cable broken, transducer will drive motor stop running and indicates on controller.
6. Cover alarm: If sensing weight and steel cable being covered by incoming material, control panel will indicate it automatically.
7. Manual Start mode or Automatic Timer Start mode.
8. LED display value can be set to show the real storage or remaining capacity of the tank.
9. The sensing weight will be pulled back at the preset zero point (tank bottom), to avoid sensing weight slide into tank outlet and cause equipment damage.



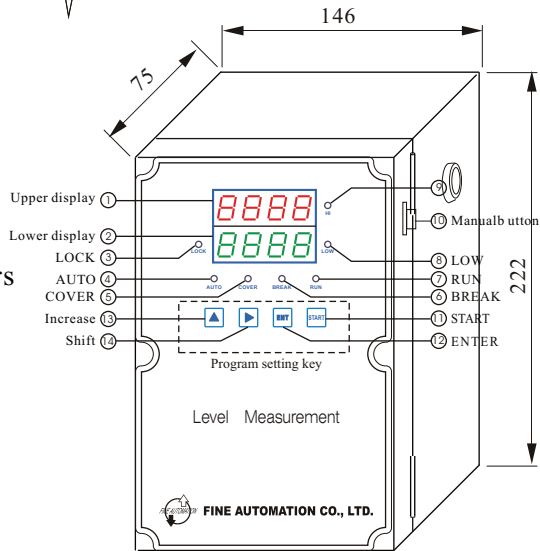
MODEL: MAC-102

Measuring range: Max. 40M
 Accuracy: 1 pulse
 Pulse frequency: 5cm / pulse or 1" / pulse
 Supply voltage: 110V / 220VAC (15%) 50 / 60Hz
 Power consumption: approx. 40VA
 Conduit: 3/4"NPT
 Output signal: pulse
 Temp. in the tank: -10 C ~ 80 C
 Air inlet: 1/4" PT
 Material: Wire --- SUS 304 1.2mm
 Cover -- F.R.P
 Body ---Cast Aluminium
 Mounting: Flange 4"x10kg/cm²
 Weight: approx. 24kg



Model: MAC-020

Power: 220Vac 15%, 50/ 60Hz
 Consumption: 6VA
 Display: upper/lower display, range 0~9999
 Indicator: 2 sets alarm, 5 sets function indicators
 Output: 4~20mA, resolution: 0.3%
 Relay output: 2 SPDT, 3A/250V
 Working temp: 0~55 C
 Protection grade: IP54
 Dimension: 146mm 222mm 75mm



SPEED MONITOR & CONTROLLER

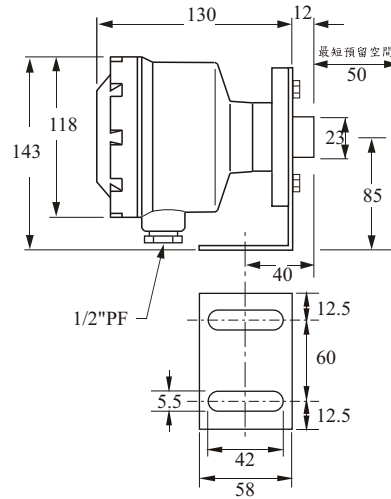
MODEL: SM1-A/B/C, SM2-A/B/C

1. Supply voltage: 110V/220VAC, 50/60Hz
2. Contact rating: 3A/220VAC, SPDT
5A/110VAC, SPDT
3. Starting delay: 10 sec.
4. Operating temp: -10~60 C
5. Housing material: Aluminum, IP65
6. Conduit: 1/2"PF
7. Deviation: 2.5%FS
8. Hysteresis range: 1%FS

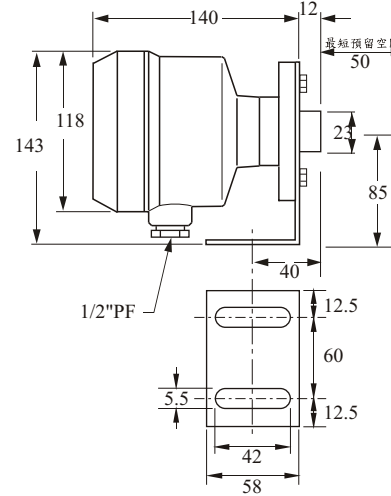
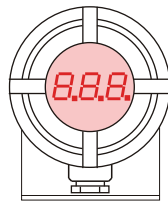
ORDERING INFORMATION:

- SM1-
- Operational speed
 - A: 0 ~ 200 r.p.m.
 - B: 0 ~ 450 r.p.m.
 - C: 0 ~ 999 r.p.m.
 - D: 0 ~ 60 r.p.m.
 - Speed display
 - SM1: Non display
 - SM2: Digit display

SM1- A/B/C/D



SM2- A/B/C/D



MICROPROCESSOR PANEL METER

MODEL: PM Series

Features

- 4 or 5 digits numeric display
- 101 segment bargraph display
- Modular design, flexible configuration for various signal input, signal output and relay contacts.
- Standard input module support 6 types of signal(5V, 10V, 20V, 200V, 20mA, 200mA) jumper selectable.
- Optional signal input: ACA, ACV, Pressure, Pt100, T/C, etc.
- Optional output module: analog output and up to 8 relay contacts.
- Wide power supply range AC85V~265V.

Specification

1. Input Signal: 4~20mA, 0~5V, 0~10V etc.
2. Consumption Rating: 10VA (max.)
3. Relay Output: 4~6 POINTS SPST
4. Contact Current: 3A/250VAC (max.)
5. Input Signal: 4~20mA / 2~10VDC, 0~20mA / 0~10VDC etc.
6. Digital Display: 4 digit, 101 segment LED bar
7. Operating Temp.: 0~55 C
8. Power Supply: 85 ~265VAC 50/60Hz
9. Accuracy: 0.1%FS
10. Built-in Sensor Supply Voltage: 24VDC (5V, 10V Optional)
11. Dimension: 48(W) 144(H), 144(W) 48(H) or 96(W) 48(H)

